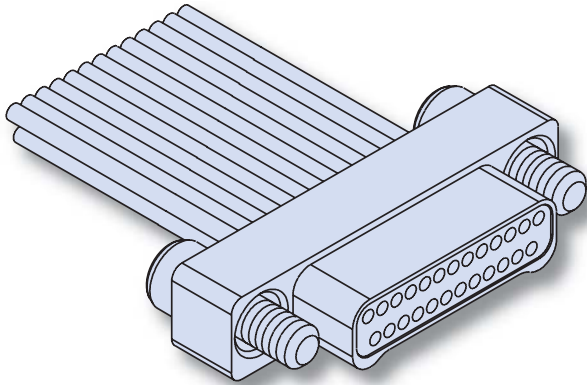




## Series 89 Nanominiature Connectors Two Row Pigtail Assemblies, Insulated Wire 891-001 and -002



**Glenair's Pigtail Nano Connectors** feature gold alloy NanoPin contacts. Contacts are precision-crimped to insulated, stranded wire. These nanominiature connectors offer premium performance and reliability for demanding applications. Contact spacing is .025 inches. 1 amp current rating, DWV rating 300 volts AC. Wire gages #30 and #32 AWG.

**NanoPin Contact System** assures premium performance in demanding environments. The gold/platinum alloy contacts will stand up to years of exposure without corrosion.

**Typical Applications** include UAV's, satellites, missile systems and geophysical instruments.

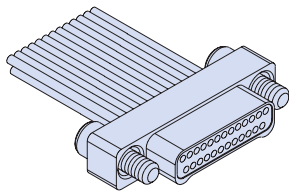
### HOW TO ORDER NANOMINIATURE CONNECTORS WITH INSULATED WIRE

Series	Insert Arrangement/ Contact Type	Shell Material and Finish	Wire Gage	Wire Type	Wire Color Code	Wire Length Inches	Hardware
<b>891-001</b> Plug, Pin Contacts, Two Row, Nanominiature	Plugs (891-001)	<b>A1</b> Aluminum Shell, Cadmium Plating	<b>0</b> #30 AWG	<b>A</b> Ultralightweight XLETFE Insulation, Silver-Coated Ultrahigh-Strength Copper (Not available for #32 AWG)	<b>1</b> –White <b>2</b> –Yellow <b>7</b> –Ten Color Repeat	<b>18</b> Wire Length In Inches. "18" Specifies 18 Inches.	<b>J</b> Jackscrew, #0-80 <b>T</b> Threaded Inserts, #0-80 Female
	<b>9P</b>						
	<b>15P</b>						
	<b>21P</b>						
	<b>25P</b>						
<b>891-002</b> Receptacle, Socket Contacts, Two Row, Nanominiature	Receptacles (891-002)	<b>A2</b> Aluminum Shell, Electroless Nickel Plating	<b>2</b> #32 AWG	<b>B</b> Extruded PTFE Insulation, NEMA HP3-ETX (MIL-W-16878/6)			
	<b>31P</b>						
	<b>37P</b>						
	<b>51P</b>						
	<b>9S</b>						
	<b>T</b> Titanium Shell, Unplated	<b>15S</b>					
		<b>21S</b>					
		<b>25S</b>					
		<b>31S</b>					
		<b>37S</b>					
<b>S</b> Stainless Steel Shell, Passivated	<b>51S</b>						

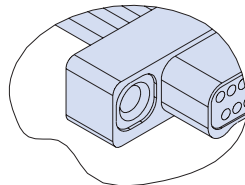
#### Sample Part Number

<b>891-002</b>	<b>— 37S</b>	<b>A1</b>	<b>—0</b>	<b>A</b>	<b>1</b>	<b>— 12</b>	<b>J</b>
----------------	--------------	-----------	-----------	----------	----------	-------------	----------

#### PLUG (PIN) CONNECTOR

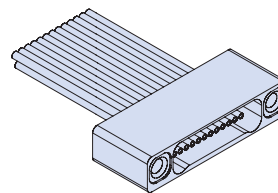


"J" Jackscrew Option

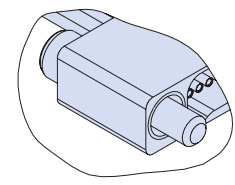


"T" Threaded Insert Option

#### RECEPTACLE (SOCKET) CONNECTOR



"T" Threaded Insert Option



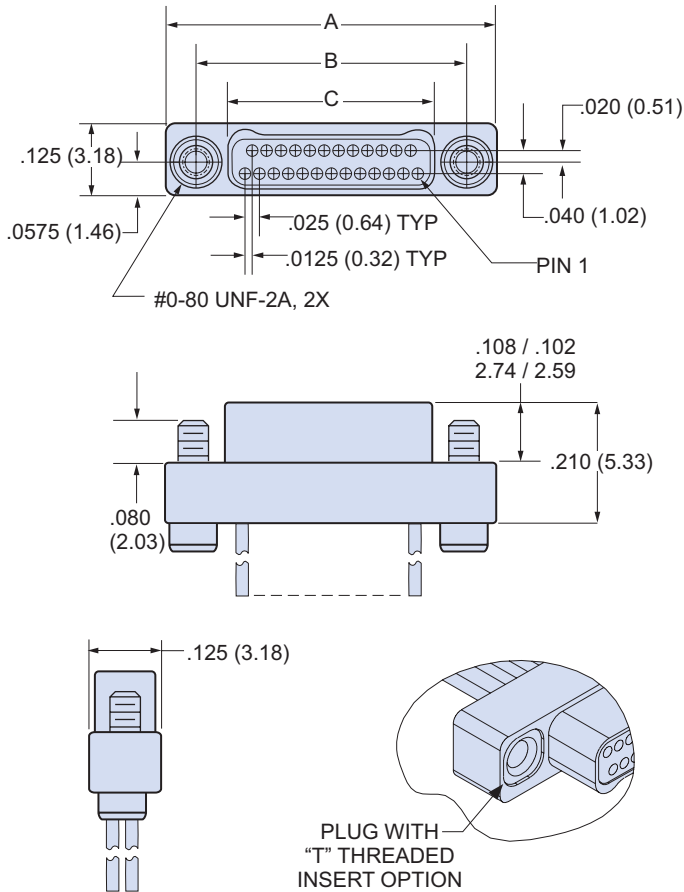
"J" Jackscrew Option

# Series 89 Nanominiature Connectors Two Row Pigtail Assemblies, Insulated Wire 891-001 and -002

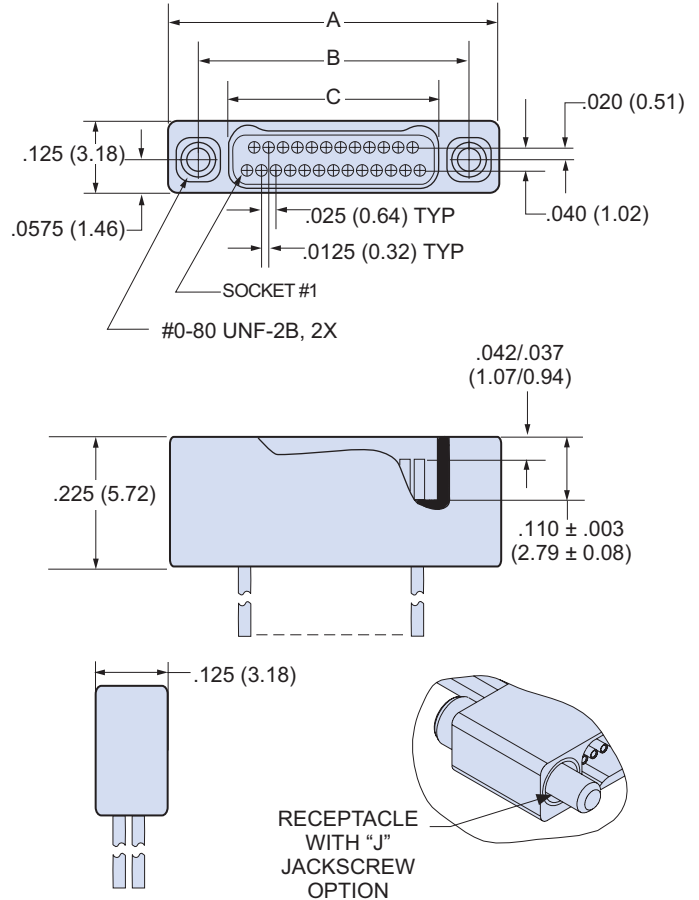


## TWO ROW NANO PIGTAIL DIMENSIONS

### Plug (Pin) Connectors



### Receptacle (Socket) Connectors



Layout	A Dimension		B Basic Dimension		C Basic Dimension	
	In.	mm.	In.	mm.	In.	mm.
9P	.375	9.52	.270	6.86	.160	4.06
9S	.375	9.52	.270	6.86	.163	4.14
15P	.450	11.43	.345	8.76	.235	5.97
15S	.450	11.43	.345	8.76	.238	6.04
21P	.525	13.33	.420	10.67	.310	7.87
21S	.525	13.33	.420	10.67	.313	7.95
25P	.575	14.60	.470	11.94	.360	9.14
25S	.575	14.60	.470	11.94	.363	9.22
31P	.650	16.51	.545	13.84	.435	11.05
31S	.650	16.51	.545	13.84	.438	11.12
37P	.725	18.41	.620	15.75	.510	12.95
37S	.725	18.41	.620	15.75	.513	13.03
51P	.900	22.86	.795	20.19	.685	17.40
51S	.900	22.86	.795	20.19	.688	17.47

## X-ON Electronics

Largest Supplier of Electrical and Electronic Components

*Click to view similar products for [glenair](#) manufacturer:*

Other Similar products are found below :

[GMR7580-15P4BSU](#) [DC40-10L](#) [MWDM2R-9P-4K5-18H-464A](#) [MWDM2R-25P-6K5-58M-464A](#) [805-001-16NF11-4SA](#) [687-348Z4-8-6](#)  
[557-107M3-05CB](#) [450DS001N10-325](#) [MR75909P1BSU](#) [809-166-NF8](#) [103-026-012](#) [891-001-25PS-0A7-18J](#) [5M2920-3CW](#) [6000-063-0022](#)  
[M28840/17AC1G3](#) [M28840/29CB1DAP1](#) [M32139/03-B06ST](#) [M39029/88-488](#) [M8351303-B14N](#) [M83513/03-C16N](#) [M83513/03-F11N](#)  
[M83513/04-E03N](#) [M83513/13-B03CW](#) [M8351329-G02NW](#) [M85049130-07M](#) [M85049/1911N02](#) [M8504924-5W](#) [M85049/3610W03](#)  
[M85049/39-17W](#) [M8504956-24N](#) [M85049/74-10-1](#) [M8504988-17P03](#) [M8504988-21N03](#) [M8504992-11M](#) [D38999/23YE26SN](#)  
[759EA458NF32Z1732-40-102.9](#) [801-008-26NF7-25SA](#) [801-025-ARB2M6-4NA-12](#) [805-002-16M12-5SA](#) [858-003-01F](#) [860-004R-](#)  
[B7MT07A-30-20](#) [G65217](#) [G8187C2010-44N](#) [G8377-21B](#) [G8801-09N](#) [G8801-25N](#) [G8859-174FNF](#) [947-432ME21-11SN](#) [947-432ME21-](#)  
[35PN](#) [D3899933F21R](#)