

110/216

110/216-Series

HEAVY ACTION TOGGLE SWITCHES

The 110/216-Series is a compactly designed, versatile metal construction toggle switch which is appropriate for a variety of uses. Features include single or double pole options, maintained or momentary construction with termination choices including solder lug end or bottom, wire leads and .250 tab terminals. The quick make/quick break contact mechanism makes the switch suitable for high voltage (125-250 volt) applications.



Product Highlights:

- ♦ 125/250V AC or DC rated
- ♦ Compact space saving envelope
- ♦ Single or double pole
- ♦ 2 position Maintained or Momentary circuits

Typical Applications:

- ♦ Small Appliance
- ♦ Floor Maintenance
- ♦ Lighting



Dielectric Strength

UL/CSA: 1000V - live to dead metal parts & opposite polarity

Electrical Life

25,000 cycles

Mechanical Life

100,000 cycles

Operating Temperature

0°F to 150°F (-17.8°C to +65.6°C)

110-S - 73

¹
Base Part Number

²
Actuator Style

1 BASE PART NUMBER: SERIES / CIRCUITRY ¹ / RATING / TERMINATION ²

3A 250V, 6A 125V, AC/DC

	Solder Lug (end)	Solder Lug (bottom)	Screw Terminals	Wire Leads
Single Pole				
On-None-Off	110	110-B	110-S	111-16
Off-None-(On)	110-M-NO	110-BM-NO	110-SM-NO	111-16M-NO
On-None-(Off)	110-M-NC	110-BM-NC	110-SM-NC	111-16M-NC
Double Pole				
On-None-Off	2BK62	-	-	2BK65
On-None-On	2BL62	-	-	2BL65

1A 250V, 3A 125V, AC/DC

Single Pole			
On-None-On	112	-	112-A
On-None-(On)	112-M	-	112-M-A
Double Pole			
On-None-Off	216	-	216A
Off-None-(On)	216-M-NO	-	216A-M-ANO
On-None-(Off)	216-M-NC	-	216A-M-ANC
On-None-On	316	316-B	-
On-None-(On)	316-M	316-BM	-

2 circuit

1 On - 1 Off	516	516-B	-	516-A
1 (On) - 1 (Off)	516-M	516-BM	-	516-A-M

6A 120VAC

Single Pole			
On-None-On	2BB62	-	2BB65

5A 250V, 10A 125V, 1/4HP, 125V

Single Pole			
On-None-Off	160H	160H-B	160H-S

2 ACTUATOR STYLE

BAT STYLE TOGGLE

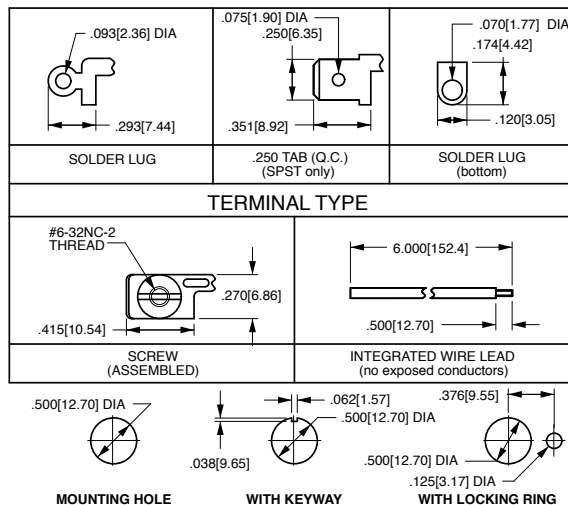
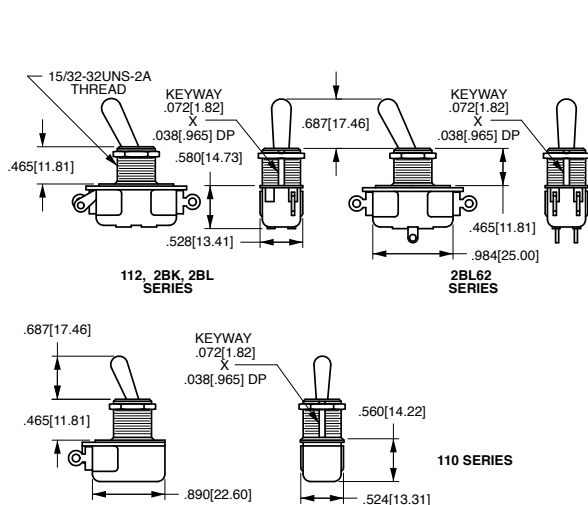
unsealed	sealed	toggle length	bushing length
52	57	0.375	0.343
63	68	0.500	0.465
73	78	0.687	0.46555

BALL STYLE TOGGLE

unsealed	sealed	toggle length	bushing length
21	-	0.375	0.250
22	-	0.375	0.343
25	-	0.375	0.875

Notes:

- Momentary function only available with 73 toggles.
 - 160H and 110-Series are available with .250 tab terminals. Add suffix /TABS to end of part number. ex. 110-73/TABS
- () Indicates momentary function.



*Manufacturer reserves the right to change product specification without prior notice.

Authorized Sales Representatives and Distributors

Click on a region of the map below to find your local representatives and distributors or visit www.carlingtech.com/findarep.



About Carling

Founded in 1920, Carling Technologies is a leading manufacturer of electrical and electronic switches and assemblies, circuit breakers, electronic controls, power distribution units, and multiplexed power distribution systems. With four ISO registered manufacturing facilities and technical sales offices worldwide, Carling Technologies Sales, Service and Engineering teams do much more than manufacture electrical components, they engineer powerful solutions! To learn more about Carling please visit www.carlingtech.com/company-profile.

To view all of Carling's environmental, quality, health & safety certifications please visit www.carlingtech.com/environmental-certifications

Worldwide Headquarters

Carling Technologies, Inc.
60 Johnson Avenue, Plainville, CT 06062
Phone: 860.793.9281 **Fax:** 860.793.9231
Email: sales@carlingtech.com

Northern Region Sales Office: nrsm@carlingtech.com
Southeast Region Sales Office: sersm@carlingtech.com
Midwest Region Sales Office: mrrsm@carlingtech.com
West Region Sales Office: wrsm@carlingtech.com
Latin America Sales Office: larsm@carlingtech.com

Asia-Pacific Headquarters

Carling Technologies, Asia-Pacific Ltd.,
Suite 1607, 16/F Tower 2, The Gateway,
Harbour City, 25 Canton Road,
Tsimshatsui, Kowloon, Hong Kong
Phone: Int + 852-2737-2277 **Fax:** Int + 852-2736-9332
Email: sales@carlingtech.com.hk

Shenzhen, China: shenzhen@carlingtech.com
Shanghai, China: shanghai@carlingtech.com
Pune, India: india@carlingtech.com
Kaohsiung, Taiwan: taiwan@carlingtech.com
Yokohama, Japan: japan@carlingtech.com

Europe | Middle East | Africa Headquarters

Carling Technologies LTD
4 Airport Business Park, Exeter Airport,
Clyst Honiton, Exeter, Devon, EX5 2UL, UK
Phone: Int + 44 1392.364422 **Fax:** Int + 44 1392.364477
Email: ltd.sales@carlingtech.com

Germany: gmbh@carlingtech.com
France: sas@carlingtech.com



Carling Technologies®

Innovative Designs. Powerful Solutions.

X-ON Electronics

Largest Supplier of Electrical and Electronic Components

Click to view similar products for [Toggle Switches](#) category:

Click to view products by [Carling](#) manufacturer:

Other Similar products are found below :

[8A1-C-222](#) [60012L](#) [6006L](#) [6663](#) [7101MD9V30GE](#) [7101SPDV30BE](#) [7103SDV30BE](#) [7105D](#) [7108P3YAV2BE](#) [71YY50282](#)
[7201MD9AVBE](#) [7301K38](#) [7306K36](#) [7310K36](#) [7314K36](#) [7506K4](#) [7592K6](#) [7691K14](#) [7700K1](#) [8396K108](#) [8824K14](#) [8828K13](#) [G2VX](#) [G3VX](#)
[PS83-121G](#) [A101MD9AB04](#) [A101SD9AB04](#) [A101SDCQ04](#) [A103SD9AQ04](#) [A107TZB04](#) [A123P32YZQ](#) [A123S1YZG](#) [A127S1YCQ](#) [1-](#)
[1825192-0](#) [A131S1YZQ](#) [A201SCWZB04](#) [A207SYCB04](#) [A208J61ZQ0004](#) [A221K12KAG](#) [A221S1YZQ](#) [A221T1TCQ](#) [A232K12KZQ](#)
[A232M1YCQ](#) [A323S1CWZQ](#) [A423S1CWZG-M8](#) [A423S1YZQ](#) [12149A-3V](#) [12156AX408](#) [12147AGKX679](#) [12149AD2G0383VX408](#)