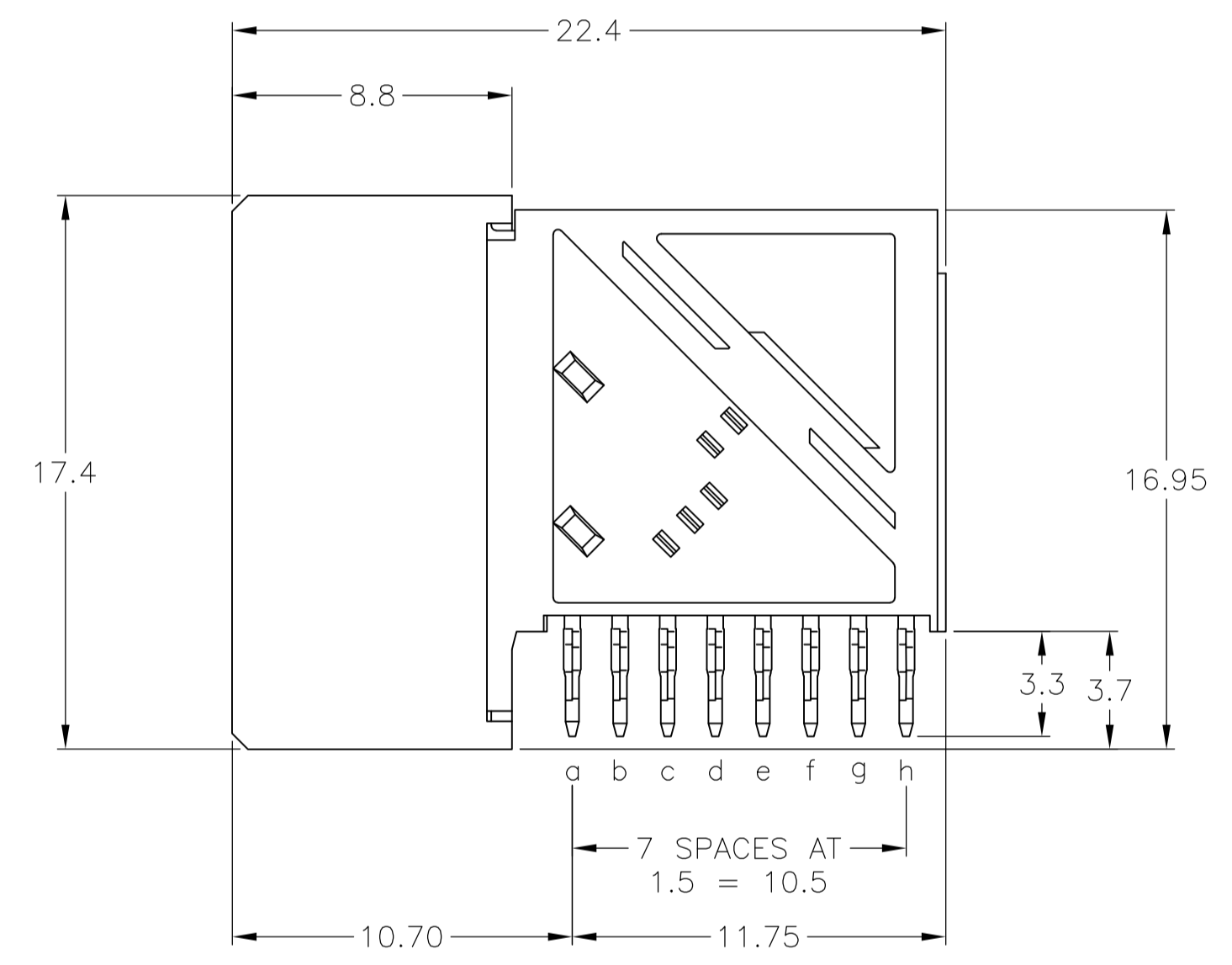
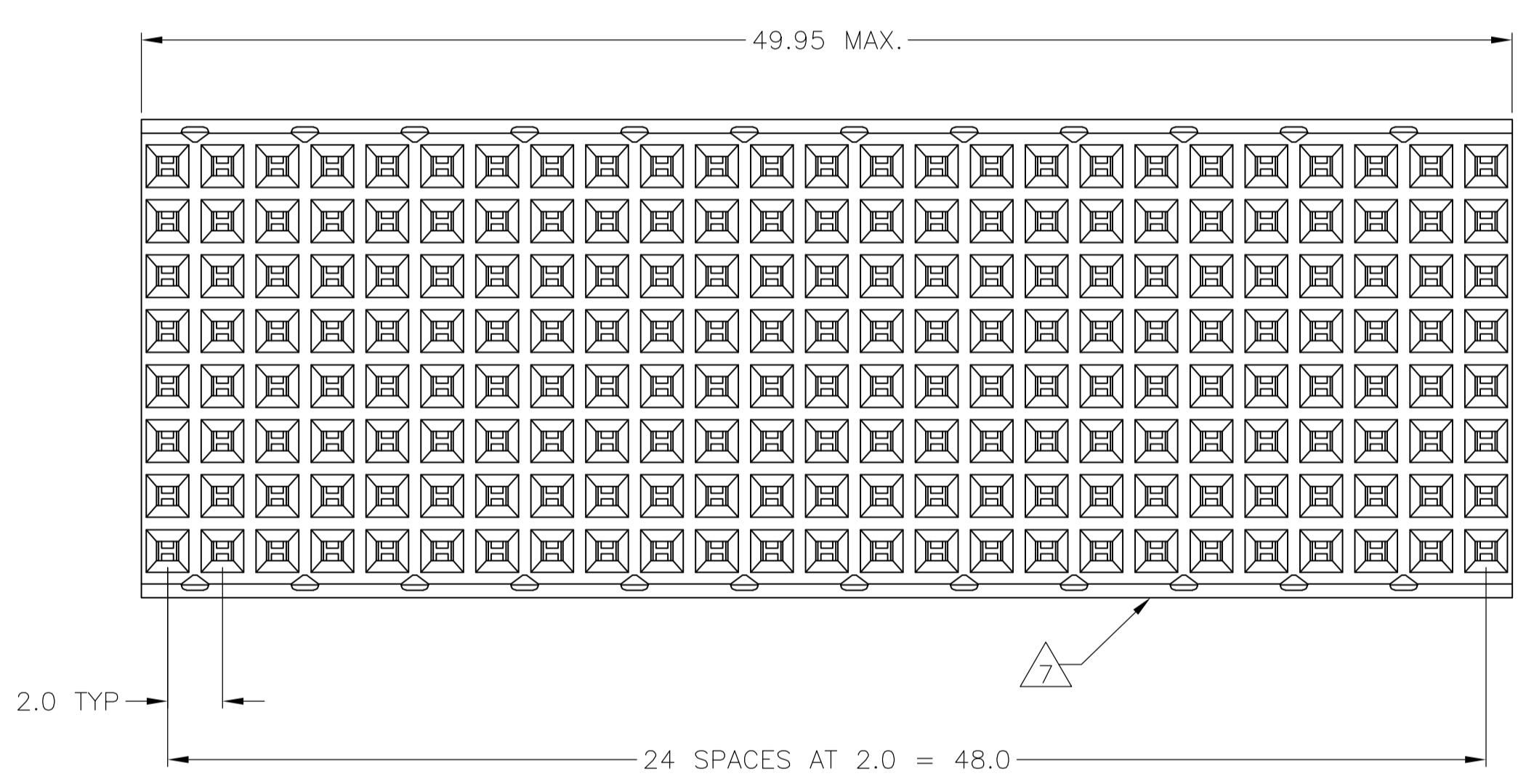
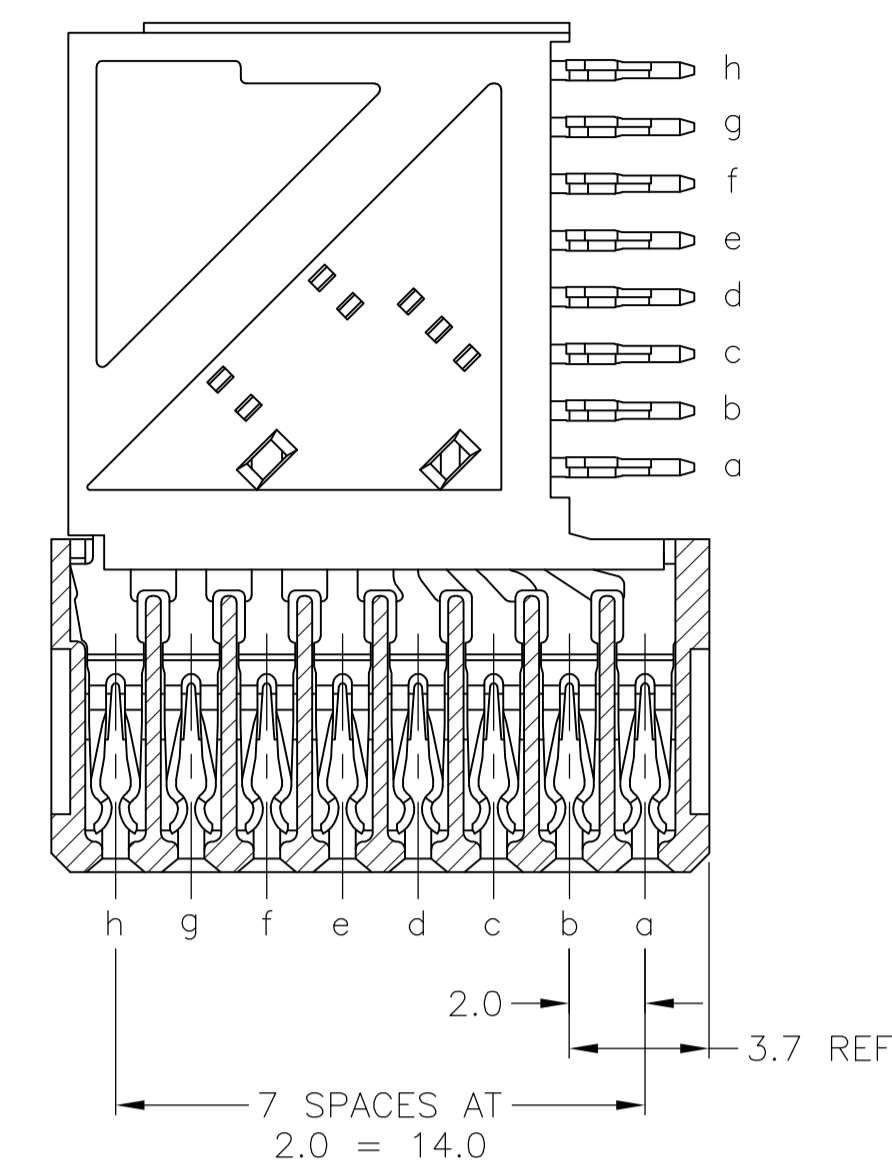
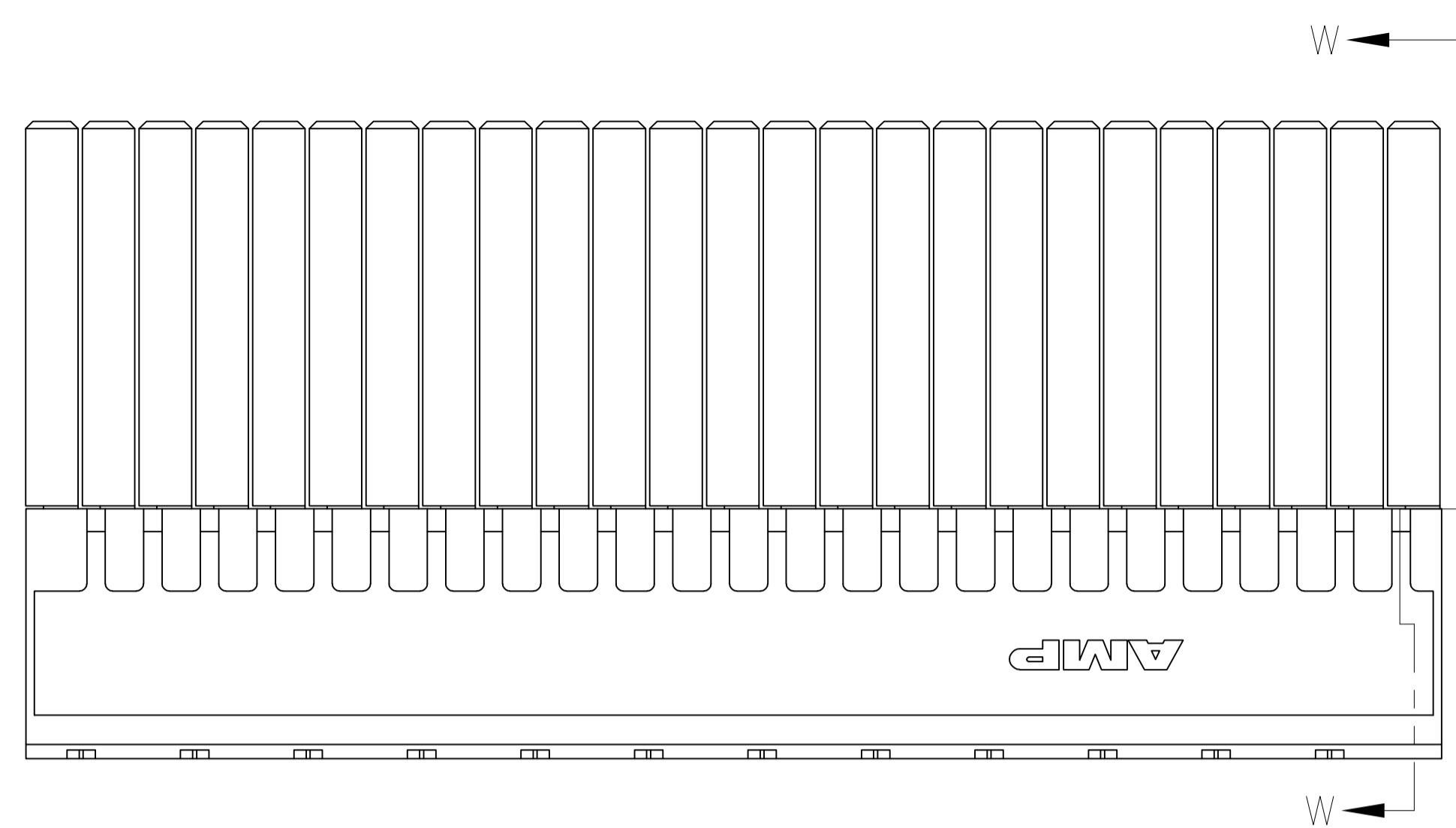
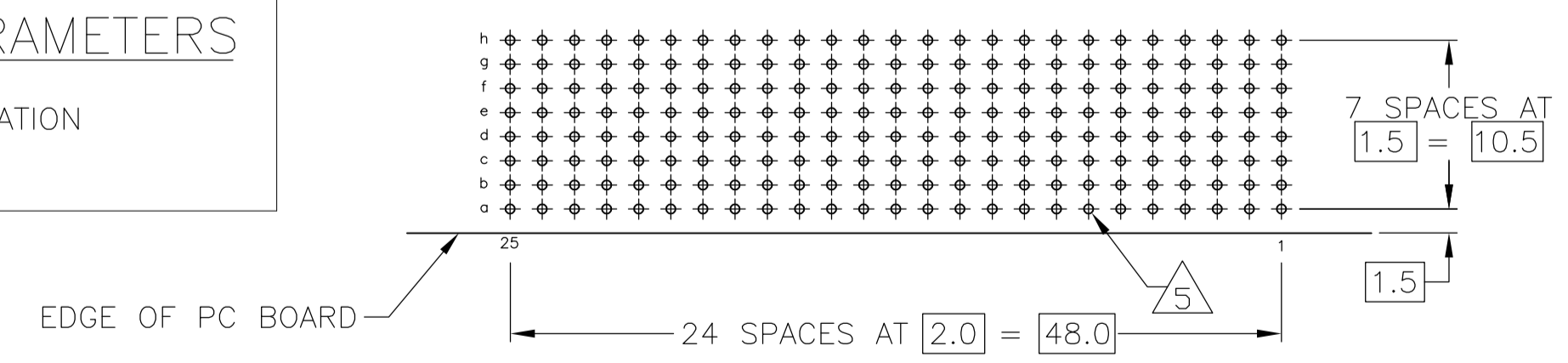


LOC		DIST		REVISIONS			
AD	00	REV	DATE	BY	CHKD	APVD	
G1		REVISED PER ECO-10-001916	09MAR2010	JY	SY		
H		ECR-10-018652	10SEP10	JS	MQW		
J		ECO-11-024491	13DEC11	SY	MQW		
K		ECR-12-009867	05DEC12	SY	AC		



PLATED THRU HOLES PARAMETERS
 REFERENCE APPLICATION SPECIFICATION



RECOMMENDED PCB-HOLE LAYOUT
 COMPONENT SIDE SHOWN
 SCALE 2.5:1

- 1 MATERIAL:
CONTACT: PHOSPHOR BRONZE.
HOUSING: GLASS FILLED POLYESTER.
- 2 GENERAL PLATING SPECIFICATION: UNDERPLATING
(ENTIRE CONTACT): 1.27μm MIN NICKEL AND ACTION
PIN: 0.5μm MIN TIN/LEAD.
FOR PLATING OF MATING SURFACES SEE APPLICABLE
SPECIFICATION REFERENCE FOR EACH DASH NUMBER.
- 3 CONFORMS TO ALL TESTING ACCORDING TO IEC 61076-4-101
PERFORMANCE LEVEL 2.
- 4 CONNECTOR TESTED AND QUALIFIED AGAINST TELCORDIA GR-1217-CORE QUALITY LEVEL 3.
CENTRAL OFFICE APPLICATIONS.
- 5 PLATED THROUGH HOLES AT 2x1.5mm GRID. 200 TOTAL HOLES.
- 6 CONTACT AREA LUBRICATED WITH BELLCORE APPROVED LUBRICANT.
TECHNICAL REFERENCE: GR-1217-CORE, ISSUE 1, NOVEMBER 1995.
- 7 CONNECTOR PRINTED WITH PART NUMBER AND DATE CODE THIS SIDE.
ADDITIONAL CHARACTERS OR MARKINGS, AS WELL AS THE
LOCATION OF THE MARKINGS, MAY BE ADDED FOR TRACEABILITY BASED
UPON MANUFACTURERS DISCRETION.
- 8 0.76μm MIN GOLD PLATING AT MATING SURFACES.

OBSOLETE	2 3 8	3-646445-0
	2 4 6	646445-9
	2 3	646445-1
	FINISH	PART NUMBER

THIS DRAWING IS A CONTROLLED DOCUMENT.

DIMENSIONS: mm	TOLERANCES UNLESS OTHERWISE SPECIFIED:	DIN B CARBO 06DEC05	06DEC05	Tyco Electronics Corporation Harrisburg, PA 17105-3608
0-PLC ±	1-PLC ±0.1	06DEC05	06DEC05	NAME: RECEPTACLE ASSEMBLY, 200 POSITION, TYPE E, 8 ROW, W/TWISTED TULIP CONTACTS, Z-PACK 2mm HM
2-PLC ±0.025	3-PLC ±0.025	06DEC05	06DEC05	SIZE: A1
4-PLC ±	ANGLES	06DEC05	06DEC05	WEIGHT: —
MATERIAL: 1	FINISH: SEE TABLE	06DEC05	06DEC05	CUSTOMER DRAWING

SCALE 5:1 SHEET 1 OF 1 REV K

X-ON Electronics

Largest Supplier of Electrical and Electronic Components

Click to view similar products for [Hard Metric Connectors](#) category:

Click to view products by [TE Connectivity](#) manufacturer:

Other Similar products are found below :

[10146110-VR5C](#) [6345127-1](#) [646916-9](#) [6469658-1](#) [853016](#) [973108](#) [1-2000713-0](#) [1-2000713-2](#) [1-2000713-3](#) [120646-1](#) [134187](#) [1645343-1](#)
[1645456-1](#) [1645564-3](#) [1645594-1](#) [1645601-1](#) [1934822-1](#) [2000829-2](#) [2000985-2](#) [223085-1](#) [278071110010833](#) [1645179-1](#) [1645245-1](#)
[1645457-1](#) [1645525-1](#) [1645570-1](#) [1645596-1](#) [17-8072-125-000-863+](#) [1857470-1](#) [1934275-1](#) [1934289-1](#) [1934759-1](#) [2000670-2](#) [2000673-1](#)
[2000843-2](#) [2000984-2](#) [204975](#) [2170292-2](#) [2-536642-6](#) [3-100668-0](#) [3-106015-1](#) [352188-1](#) [352629-1](#) [3-646346-0](#) [3-646356-0](#) [3-646457-0](#) [3-646529-0](#) [3-646530-0](#) [5120823-1](#) [5120899-1](#)