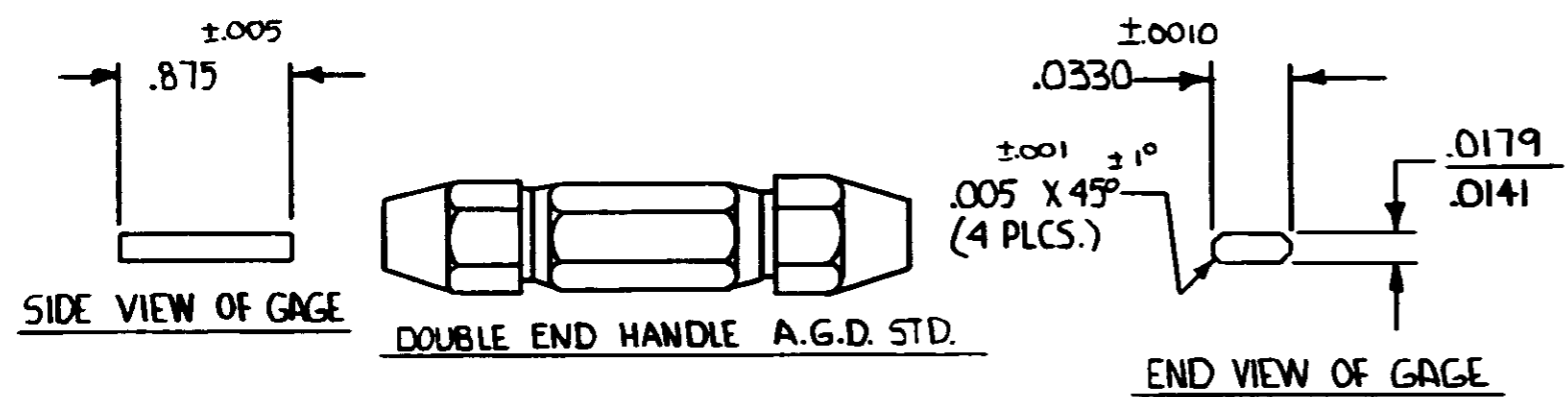


© COPYRIGHT 1967 BY AMP INCORPORATED, HARRISBURG, PA. ALL INTERNATIONAL RIGHTS RESERVED. AMP INCORPORATED PRODUCTS COVERED BY U.S. AND FOREIGN PATENTS AND/OR PATENTS PENDING.

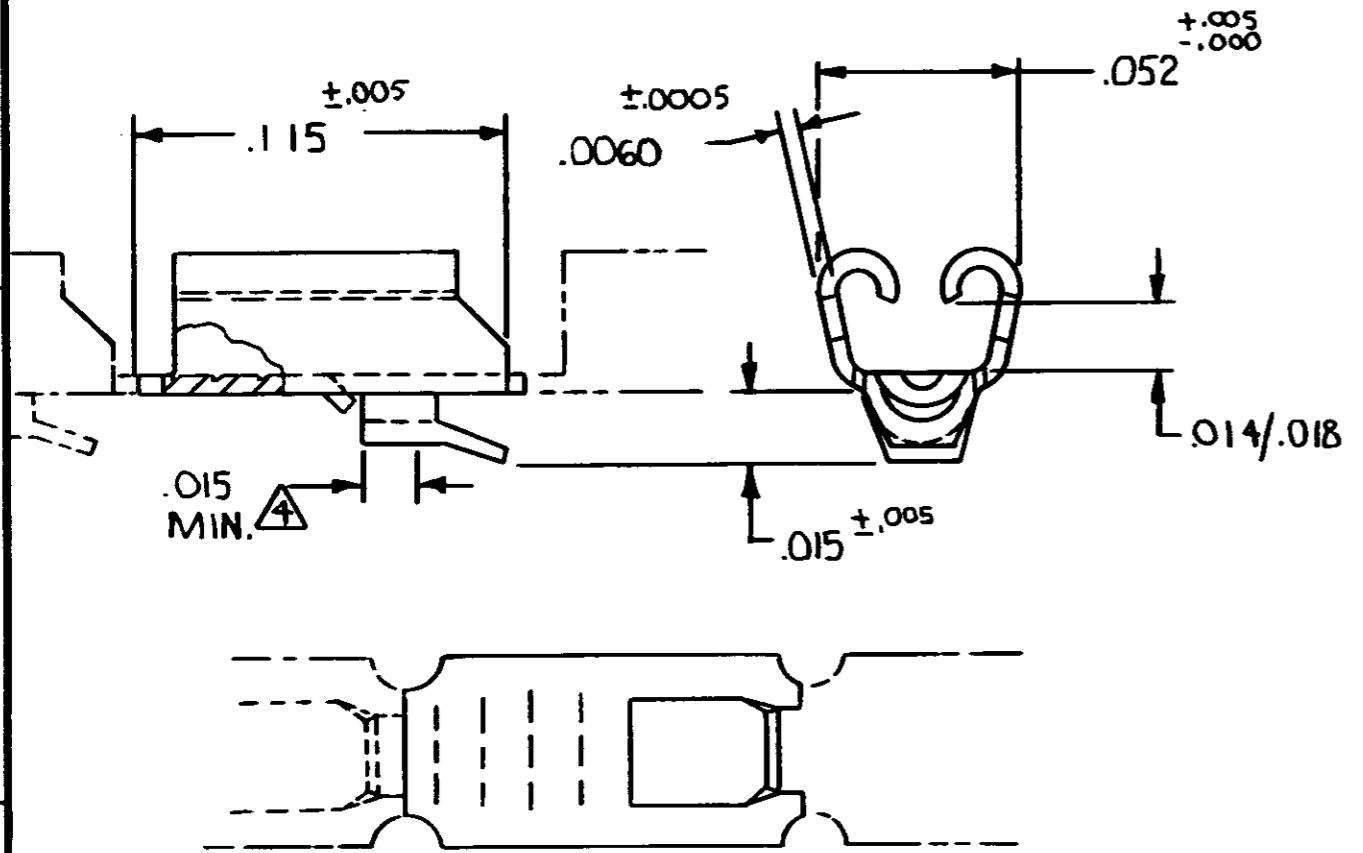
REVISIONS						
P	F	ZONE	LTR	DESCRIPTION	DATE	APPROVED
✓	✓		V	REV. & REDWN / WP 3908	8-2-78	<i>[Signature]</i>
✓	✓		V	REV PER ECN 5873	12/3/81	<i>[Signature]</i>
✓	✓		W	ADD NOTE 6 / AD0865	9/11/85	ES1 <i>[Signature]</i>
✓	✓		W	OBSOLETE 1--6 / AD1125	2/12/86	GS
✓	✓		Y	REV PER AD 1797	6-3-87	
✓	✓		Z	REACTIVATE 3-4, 3-5 & 3-6 PER ECN DF-2269 NF	10/13/89	GS



SUGGESTED GAGE DESIGN

**NOTES**

- GOLD PL. (MIL-G-4520A) TYPE II .000030 MIN. THK. OVER NICKEL PL. (QQ-N-290) .000030 MIN. THK.
  - TIN-NICKEL PL. .000030-.000050 THK.
  - INDIVIDUAL CLIP WEIGHS APPROX. 13 MILLIGRAMS.
  - NO FRACTURES PERMISSIBLE IN THIS AREA.
  - TIN PLATE (MIL-T-10727) TYPE II .000030 MIN THK
- ▲ ENGINEERING CONTROLLED  
 ▲ 67042-1, -6, -7 SUPERSEDED BY 3-67042-4 3--5, 3--6 RESPECTIVELY.



WIRE SIZE	PLATING	OBSOLETE		
		3-67042-5	3-67042-4	3-67042-6
28-30	PRE-TINNED	3-67042-5	3-67042-4	3-67042-6
	GOLD	<del>67042-7</del> ▲	67042-2 ▲	<del>67042-6</del> ▲
	TIN NICKEL	<del>67042-6</del>	67042-1	<del>67042-7</del> ▲
		AUTOMATIC TERMI-POINT MACHINE	REEL FED SERVICE TOOL	REEL FED MANUAL SERVICE TOOL
		100,000 CLIPS/REEL	2500 CLIPS/REEL	100 CLIPS/REEL

CODE IDENT	DWG SIZE	PART NO OR IDENTIFYING NO	NOMENCLATURE OR DESCRIPTION	ITEM NO
REVISION OF EACH ASSY NO (WHEN BLANK, USE DWG REVISION)				
QTY REQD PER ASSY		PARTS LIST		
UNLESS OTHERWISE SPECIFIED DIMENSIONS ARE IN INCHES. TOLERANCES ON: DECIMALS ±.008 ANGLES ±5°		CONTRACT NO	AMP INCORPORATED Harrisburg, Pa.	
MATERIAL PHOS. BRONZE (QQ-B-750)		DR <i>[Signature]</i> 8-2-78	NAME TERMI-POINT CLIP .022 X .036 SYSTEM	
FINISH (SEE TABLE)		CHK <i>[Signature]</i> 8-10-78	SIZE B	
		APPR <i>[Signature]</i> 8-10-78	CODE IDENT NO 00779	
		APRD	DRAWING NO 67042	
		DSGN APPD	SCALE	
		OTHER APPD	SHEET	

## X-ON Electronics

Largest Supplier of Electrical and Electronic Components

*Click to view similar products for [Standard Card Edge Connectors](#) category:*

*Click to view products by [TE Connectivity](#) manufacturer:*

Other Similar products are found below :

[6565204-6](#) [PKC-156](#) [1437274-4](#) [147889-1](#) [1489165-4](#) [EBT156-12B1X](#) [EBT15622B2X](#) [EBT156-22R2W](#) [1-582587-1](#) [1-582589-1](#) [2-6437275-9](#) [284-0102-12100](#) [306022901000000](#) [307-012-502-202](#) [307-024-526-201](#) [307-056-520-300](#) [307-080-526-208](#) [1926088-2](#) [245-062-520-350](#) [287-0032-12101](#) [306-010-500-112](#) [306-028-525-102](#) [306-240-318](#) [307-036-502-202](#) [307-036-521-301](#) [307-072-526-202](#) [345-060-559-303](#) [368-004-520-201](#) [392-008-559-201](#) [534671-1](#) [5-530501-5](#) [341-240-317](#) [345-029-520-300](#) [345-030-500-301](#) [345-044-500-300](#) [345-220-058](#) [346-240-318](#) [357-030-526-201](#) [387-012-523-300](#) [395-044-520-300](#) [395-100-524-300](#) [50-12B-10](#) [50-6SN-5](#) [09-07-2032](#) [10035388-106LF](#) [10035388-802LF](#) [10115859-011LF](#) [10122859-009LF](#) [101269333204245CLF](#) [10127905-B04B24BLF](#)