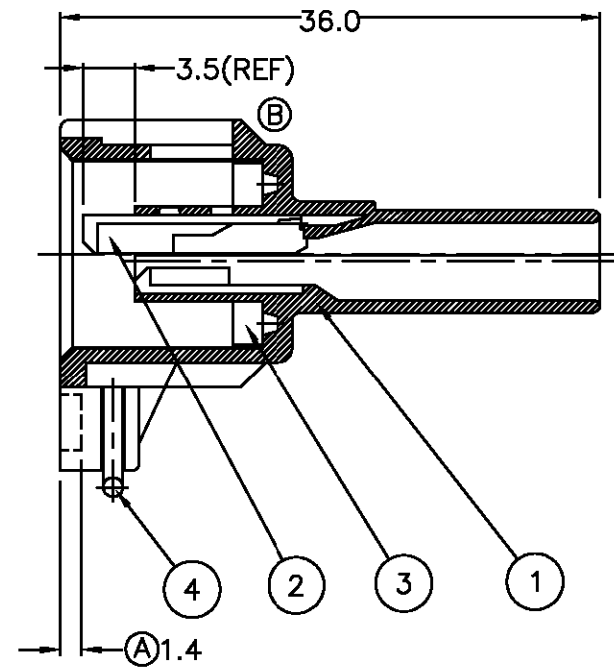
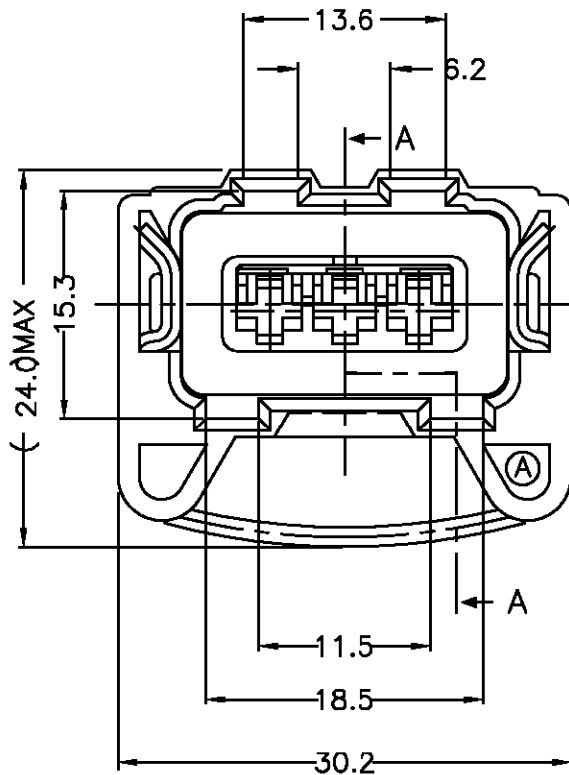
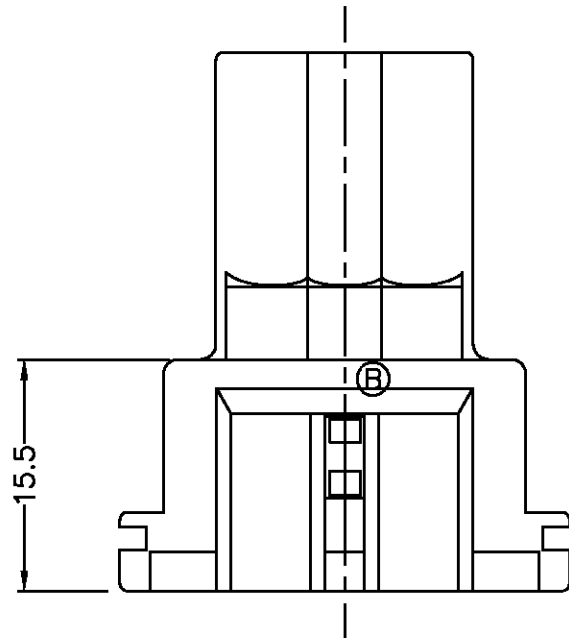


P	LTR	DESCRIPTION	DATE	DWN	APVD
0		RELEASED(RD97-202)	'97 30/SEP	YD	JK
A		REVISED(RD98-063)	'98 16/MAR	YD	CS
B		REVISED(FC00-0018-00)	'00 24/FEB	YD	CS



SECTION A-A

* NOTES *

1. APPLICABLE CONTACT P/NO: 927770 / 927766
2. APPLICABLE WIRE SEAL P/NO: 828904 / 828905 / 368064

NO	P/NO	DESCRIPTION	MATERIAL	COLOR	REQUIRED Q'TY
4	85388-1	SPRING	SUS 304		1
3	85384-1	SEAL RUBBER	SILICONE	ORANGE	1
2	85207-1	SPACER	PBT	YELLOW	1
1	368216-1	JPT 3P HSG FOR KNOCK SENSOR	PBT 30% GF	LIGHT GRAY	1

P/NO 368215-1
 DESCRIPTION JPT 3P ASS'Y FOR KNOCK SENSOR

THIS DRAWING IS A CONTROLLED DOCUMENT FOR AMP INCORPORATED. IT IS SUBJECT TO CHANGE AND THE CONTROLLING ENGINEERING ORGANIZATION SHOULD BE CONTACTED FOR THE LATEST REVISION.

DIMENSIONS: MM		TOLERANCES UNLESS OTHERWISE SPECIFIED: 0<XX<10 ± 0.2 10<XX<30 ± 0.25 30<XX<100 ± 0.3 ANGLES ± 3°		DWN		AMP AMP KOREA. kyungsan, korea	
3rd ANGLE PROJECTION		FINISH		CHK			
MATERIAL		FINISH		APVD		NAME	
				PRODUCT SPEC		JPT 3P ASS'Y FOR KNOCK SENSOR	
				APPLICATION SPEC		SIZE	
				WEIGHT		CAGE CODE	
				6.35g		DRAWING NO	
				A3		00779	
				SCALE 2/1		SHEET 1 OF 1	
				REV B		DRAWING NO	
				C= 368215			

X-ON Electronics

Largest Supplier of Electrical and Electronic Components

Click to view similar products for [Automotive Connectors](#) category:

Click to view products by [TE Connectivity](#) manufacturer:

Other Similar products are found below :

[003-018-000](#) [600858](#) [60403001](#) [60993906-B](#) [60993913-B](#) [629515004020001](#) [M902-2131](#) [M902-2161](#) [M902-2344](#) [72.330.1035.1](#)
[73.353.4028.0](#) [F118010](#) [F119300-B](#) [F132210](#) [F132210-B](#) [F166900](#) [F180100](#) [F258300](#) [F258300-B](#) [F294300-B](#) [F339100](#) [F339700](#) [F358300-](#)
[B](#) [F374110](#) [F407400](#) [F412210](#) [F427600](#) [F444110](#) [F487000](#) [F495100-B](#) [F500900-B](#) [F509500B-B](#) [770444-1](#) [776880-1](#) [827153-1](#) [881735-1](#)
[8N1515-32-24P](#) [9-1326727-8](#) [9-1326729-8](#) [925467-1](#) [925474-1](#) [928905-1](#) [936398-2](#) [964562-1](#) [964562-4](#) [964731-2](#) [965051-1](#) [968782-1](#)
[GT17SA-8DS-HU](#) [GT17VS-10DP-5.2CF](#)