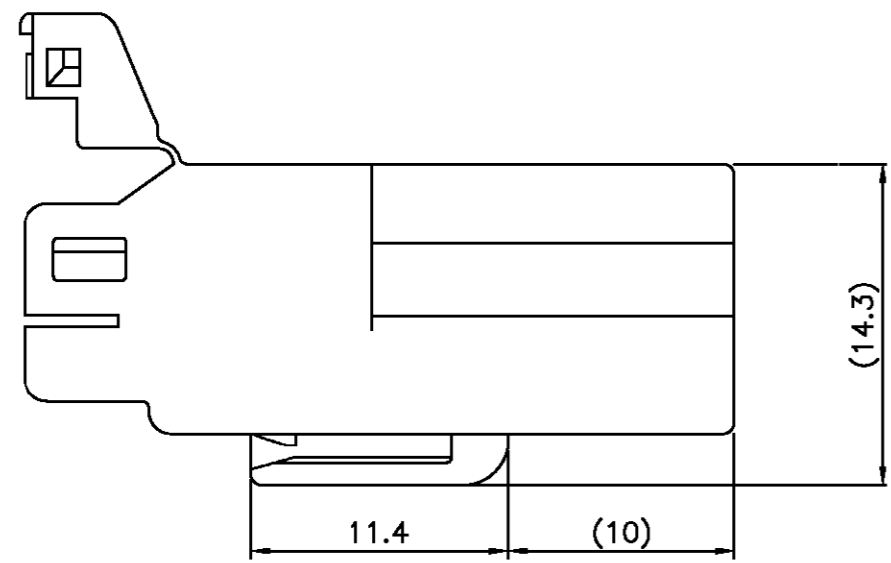
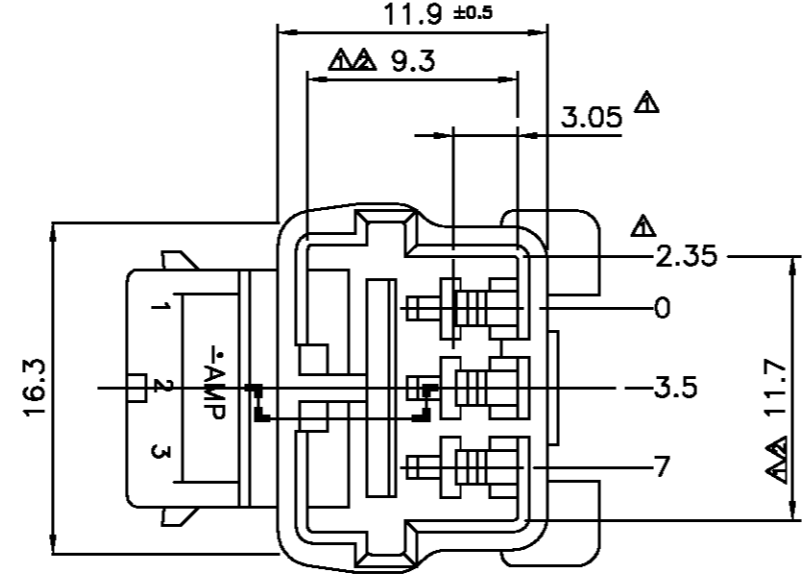
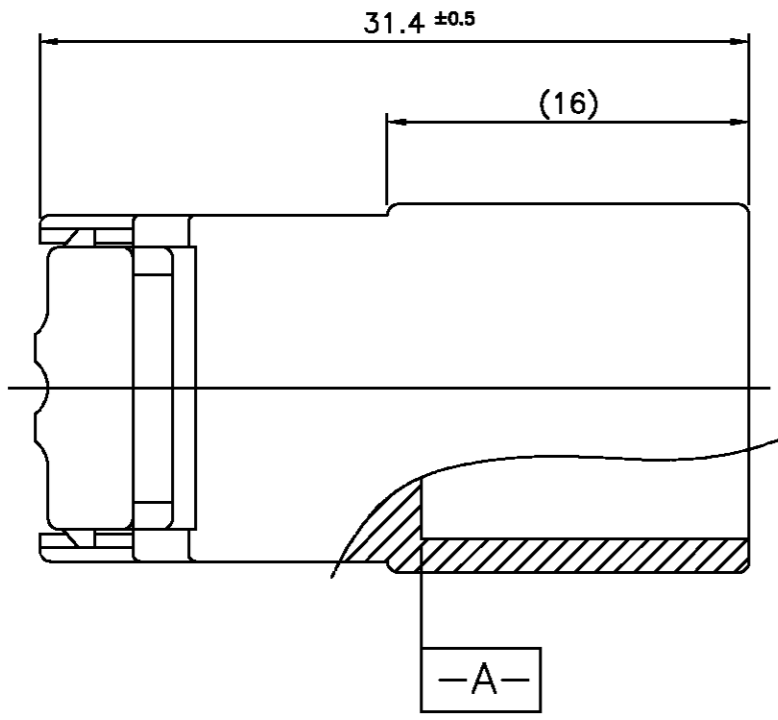


LOC	DIST	REVISIONS					
		P	LTR	DESCRIPTION	DATE	DWN	APVD
DS			O	RELEASED(RD98-146)	01.JUN'98	HSK	CS
			A	REVISED(FC00-0038-03)	27.MAR'03	HS	CS



- NOTES
1. TO BE MEASURED BETWEEN -A- AND 2mm.
  2. TO BE MATE WITH CAP HSG SMOOTHLY.
  3. APPLIED CONTACT P/N : 173633 & 173645.
  4. APPLIED TAB HSG P/N : 368500.

BLACK	TRIBIT 1503(BLK)	0-368503-2	Ⓐ
NATURAL	TRIBIT 1503(S)	0-368503-1	
COLOR	MATERIAL	PART NO.	

<small>THIS DRAWING IS A CONTROLLED DOCUMENT FOR TYCO ELECTRONICS CORPORATION. IT IS SUBJECT TO CHANGE AND THE CONTROLLING ENGINEERING ORGANIZATION SHOULD BE CONTACTED FOR THE LATEST REVISION.</small>		DWN HS BAE 27.MAR'03 CHK BM JANG 27.MAR'03 APVD CS LEE 27.MAR'03		<b>tyco</b> <b>Electronics</b>		AMP KOREA. kyungsan, korea	
DIMENSIONS: MM TOLERANCES UNLESS OTHERWISE SPECIFIED: 0 <XX<10 ± 0.2 10 <XX<30 ± 0.25 30 <XX ± 0.3 ANGLES ± 3°		PRODUCT SPEC APPLICATION SPEC		NAME .070 MLC 3P CAP HSG		RESTRICTED TO	
3rd ANGLE PROJECTION MATERIAL SEE TABLE		FINISH WEIGHT		SIZE A3 CAGE CODE 00779 DRAWING NO C= 368503		SCALE 2:1 SHEET 1 OF 1 REV A	

## X-ON Electronics

Largest Supplier of Electrical and Electronic Components

*Click to view similar products for [Headers & Wire Housings](#) category:*

*Click to view products by [TE Connectivity](#) manufacturer:*

Other Similar products are found below :

[95000-104TRLF](#) [10135584-644402LF](#) [DF62W-EP2022PCA](#) [95000-106TRLF](#) [DF62W-2022SCA](#) [DF62W-EP2022PC](#) [2203348](#) [DF62W-2022SC](#) [1084018](#) [1029039](#) [1084017](#) [802-10-012-10-002000](#) [1112640](#) [1112639](#) [891-007-9SS-BST1T](#) [000-34000](#) [0008550134](#) [0009482033](#) [0009507031](#) [57102-F02-18ULF](#) [57102-S06-03LF](#) [57202-S52-04LF](#) [PCN6-15S-2.5E](#) [0039019024](#) [58102-G61-06LF](#) [582553-1](#) [0009485154](#) [0009508121](#) [0022285053](#) [0050291907](#) [018731A](#) [LY20-4P-DT1-P1E-BR](#) [02.125.8002.8](#) [60101931](#) [60598-1 \(Cut Strip\)](#) [M1625-3R/100](#) [61062-3](#) [61082-181009](#) [CSU011177004](#) [636-1427](#) [638009-1](#) [641938-9](#) [641991-4](#) [644168-1](#) [644827-2](#) [647662-1](#) [65039-019ELF](#) [65692-001LF](#) [65781-018](#) [65781-047](#)