

# M83723/59-1, M83723/60-1, MS27292 and MS27294 Threaded Protective Plug and Receptacle Covers



MIL-DTL-83723

**MATING CONNECTOR**  
MIL-DTL-83723, Series III Threaded

**Superseded Part Number**

Basic Part Number  
MS27292 = Plug Cover  
MS27294 = Receptacle Cover

Dash Number  
**MS27292 - 1**

See Note 3

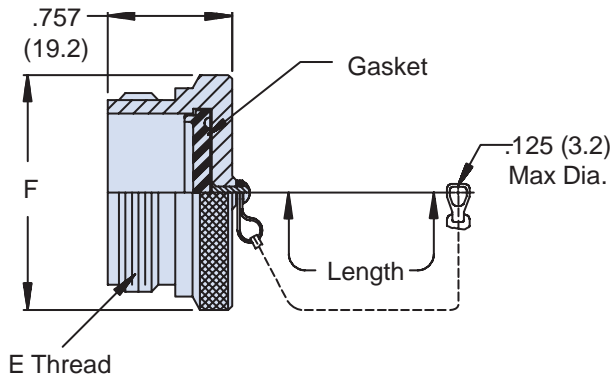
Basic Part Number  
M83723/59-1 = Plug Cover  
M83723/60-1 = Receptacle Cover

Shell Size  
**10**

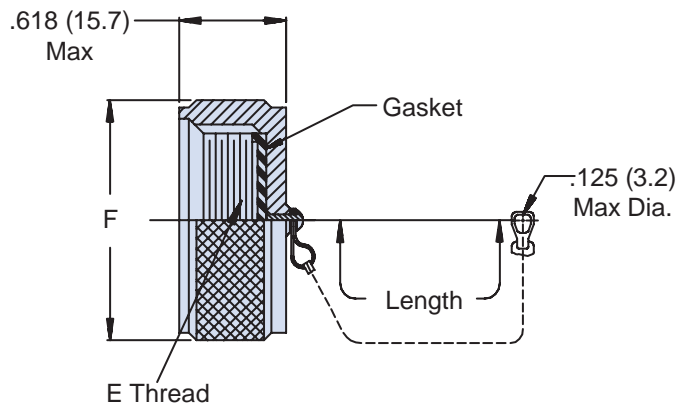
Attachment Style  
C = 5.0" (127.0) Chain  
P = 8.0" (203.2) Chain  
R = 5.0" (127.0) Rope  
T = 8.0" (203.2) Rope  
N = No Attachment

**M83723/59-1 10 A C**

Finish  
A = Black Anodize  
R = Electroless Nickel  
W = Cadmium over Electroless Nickel



**M83723/59-1 PLUG COVER  
M27292 PLUG COVER (SEE NOTE 3)**



**M83723/60-1 RECEPTACLE COVER  
M27294 RECEPTACLE COVER (SEE NOTE 3)**

**TABLE I: Shell Size, Dash Number, Thread and Dimensions**

Shell Size	M27292 Dash No.	E Thread Class 2A/2B	K Dia Max
8	7	9/16- 24 UNEF	.776 (19.7)
10	1	11/16- 24 UNEF	.906 (23.0)
12	2	7/8- 20 UNEF	1.078 (27.4)
14	3	15/16- 20 UNEF	1.141 (29.0)
16	4	1 1/16- 18 UNEF	1.266 (32.2)
18	5	1 3/16- 18 UNEF	1.375 (34.9)
20	8	1 5/16- 18 UNEF	1.510 (38.4)
22	6	1 7/16- 18 UNEF	1.625 (41.3)
24	9	1 9/16- 18 UNEF	1.760 (44.7)

- APPLICATION NOTES**
1. Assembly identified with manufacturer's name and part number, space permitting.
  2. For complete dimensions, see the applicable Military Specification.
  3. MS27292 and MS27294 have a black anodize finish. Dash numbers 1, 2 and 7 have a 3.0-inch (76.2) wire rope attachment. Other dash numbers have a 5-inch (127.0) wire rope attachment.
  4. Metric dimensions (mm) are in parentheses.

Dimensions in inches (millimeters) and are subject to change without notice.



## X-ON Electronics

Largest Supplier of Electrical and Electronic Components

*Click to view similar products for* [Circular MIL Spec Tools, Hardware & Accessories](#) *category:*

*Click to view products by* [Glenair](#) *manufacturer:*

Other Similar products are found below :

[809-199-3](#) [001104](#) [300 04](#) [600-006-16](#) [600-079-06](#) [M10-101982-143](#) [M10-101982-163](#) [M10-101983-183](#) [M10-150912-083](#) [M10-454396-008](#) [602GB18808](#) [M225201-06](#) [M24758-20E21](#) [M2887610-BC](#) [M2887615-CD](#) [M38999/9-19B](#) [62GB-812-10](#) [630A007NF083A](#) [630B007M051A](#) [630BJ003NF032H](#) [637-149NF04B](#) [M39029/29-215](#) [650FS002NF16](#) [M81969-14-02](#) [660-008NF14S7-01](#) [660-009M22H8-03](#) [660-013NF19U6-210](#) [660-015M10S6-17](#) [660-015NF10S5-01](#) [660-015NF14R3.5-01](#) [660-023NF19H6-19](#) [660-024N09S5-104](#) [660-024NF11S12-01](#) [660-024NF11S3-01](#) [660-050XM17F4-01](#) [660-068NF25R6-30G](#) [660-070M23S8-04](#) [660-073MTCH9-20](#) [M83723/60-116RC](#) [M83723/61-18W](#) [M83723/61-218R](#) [M83723/61-224W](#) [667-224NF16](#) [M85049/118S22A](#) [M85049/126S11N](#) [M85049130-07M](#) [M85049140-09BC](#) [M85049/41-16A W/B](#) [687-697NF-1](#) [M85049/75-14-1](#) [M8504980-8](#)