



GREEN ELECTRONICS



**CVF**

Terminal Blocks and Connectors for Printed Circuit Boards



ISO  
9001



ISO  
14001



BS OHSAS  
18001:2007



**SAURO<sup>®</sup>**  
ELECTRONIC CONNECTORS

### Functional characteristics



**Dimensional class:**  
medium



**Standard colour:**  
green



**Dimensions:**  
12.5 x 25 mm  
(.492 x .984 in)



**Max approved wire size:**  
solid: 2.5 mm<sup>2</sup> (VDE); 12 AWG (UL)  
stranded: 2.5 mm<sup>2</sup> (VDE); 12 AWG (UL)

**Clamp opening size:**  
2.5 x 2.4 mm (.098 x .094 in)



**Versions:**  
right or left side stackable,  
right or left modular,  
right or left locking screw flanges



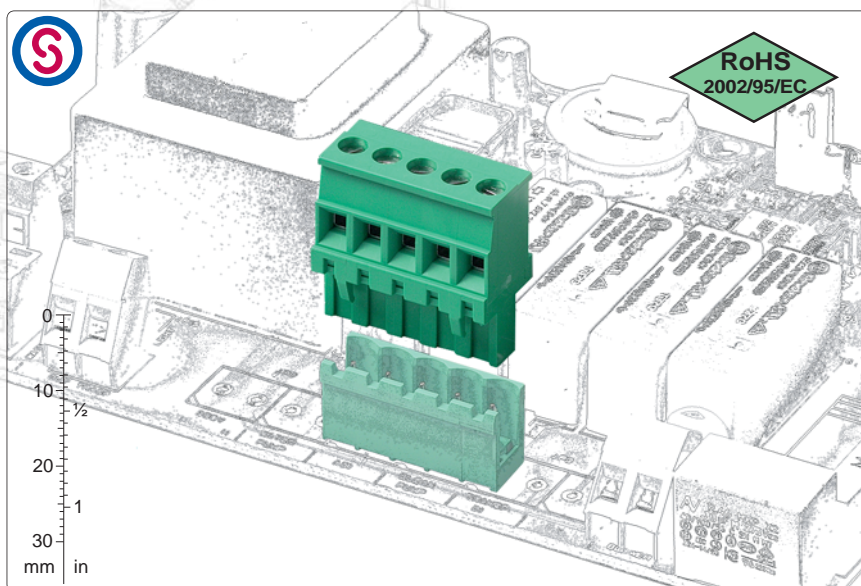
**Single Mould Poles:**  
from 2 to 25 (modular and side stackable)  
from 2 to 23 (locking screw flanges)



**Pitches:**  
metric 5 mm, 7.5 mm, 10 mm  
(.197 in, .295 in, .394 in)



imperial 5.08 mm, 7.62 mm, 10.16 mm  
(.200 in, .300 in, .400 in)



pitch 5/5.08 mm  
from 2 to 25 poles  
right version  
side stackable



pitch 5/5.08 mm  
from 2 to 25 poles  
left version  
side stackable



pitch 5/5.08 mm  
from 2 to 23 poles  
right version  
locking screw flange



available accessories:  
from 2 to 9 poles  
BSC for rising clamp



example of use of CIF-LC1



CIF-LC1  
coding splines

### Brief description

The **CVF** vertical female connector series makes it possible to use wires up to 2.5mm<sup>2</sup> (12 AWG) and consequently a current range of 15° certified can be reached.

It is available in 5 mm (.197 in), 7.5 mm (.295 in) and 10 mm (.394 in) metric pitches and in 5.08 mm (.200 in), 7.62 (.300 in) and 10.16 mm (.400 in) Imperial pitches, in monolithic blocks from 2 to 25 poles, in side-stackable or modular versions or with flanges.

The **CVF** connector series for PCBs is characterized by an asymmetric profile, so mistakes are prevented when connections are made with the relative **CIM**, **CPM** or **CRM** male connectors soldered to the board or the **CGM** connectors with screw male connection to the wire. Further safety when

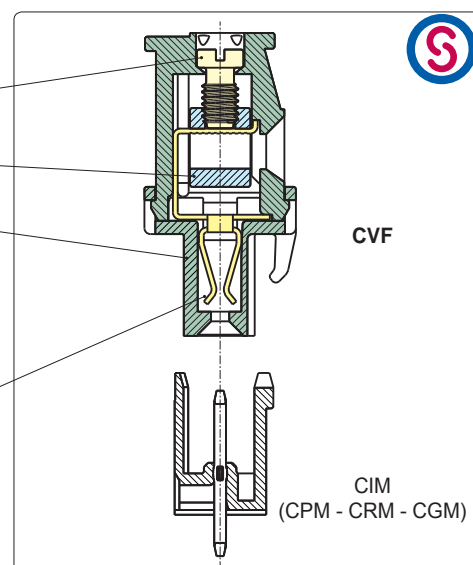
connecting can be obtained by using the CIF-LC1 and CIM-SCI coding splines and coding clips (see page 20-21) or COF-SP1 polarization pegs.

It is possible to side-stack or assemble the basic modular connectors in order to obtain any number of poles without losing the pitch. By taking advantage of this particular characteristic a minimum stock of basic connectors can be kept.

It is simple to manage the product, the warehouse and the assembly with the Kit packages because several versions can be received with only one code, the part-numbers are significantly reduced and the risk of making mistakes is also reduced.

## Characteristics of components

- M3 nickel plated copper alloy screw.
- Nickel-plated copper alloy rising clamp.
- PA 6.6 polyamide housing.  
Standard colour: GREEN.  
V0 Self-extinguishing according to UL 94.  
Chlorinated solvents resistant,  
with no phosphor, dioxin or  
detrimental to health halogens.
- Leadfree tin-plated copper alloy spring.



## Mechanical characteristics

Insertion force per pole	max 3 N (.674 lbf)
Withdrawal force per pole	min 1,5 N (.337 lbf)
Recommended/Highest tightening torque	0.5/0.6 Nm (4.42/5.3 lbf*in)
Stripping length	6 ± 7.5 mm (.24 ± .30 in)
Operating temperature range	-40 °C ÷ +110 °C (-40 °F ÷ +230 °F)
Climatic category	40/110/21 according to EN 60068-1

## Electric characteristics\*

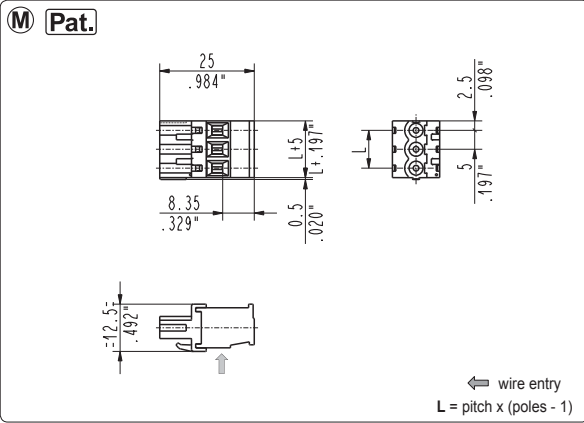
Solid wire section	0.05 ÷ 2.5 mm <sup>2</sup> (VDE, IMQ)* 30÷12 AWG (UL)*
Stranded wire section	0.05 ÷ 2.5 mm <sup>2</sup> (VDE, IMQ)* 30÷12 AWG (UL)*
Rated voltage for 5 mm (.197 in) and 5.08 mm (.200 in) pitch	320 V (IMQ)*
Rated voltage for 7.5 mm (.295 in) and 7.62 mm (.300 in) pitch	500 V (IMQ)*
Rated voltage for 10 mm (.394 in) and 10.16 mm (.400 in) pitch	800 V (IMQ)*
Rated current	16 A (VDE)*
Contact resistance	<15 mΩ
Insulation resistance	>10 <sup>9</sup> Ω (500V DC)

\*All the a.m. data refer to the highest values amongst the certificated ones.

V voltage, I current values and tightening torque are related to the norms to be applied to the product and to its use.

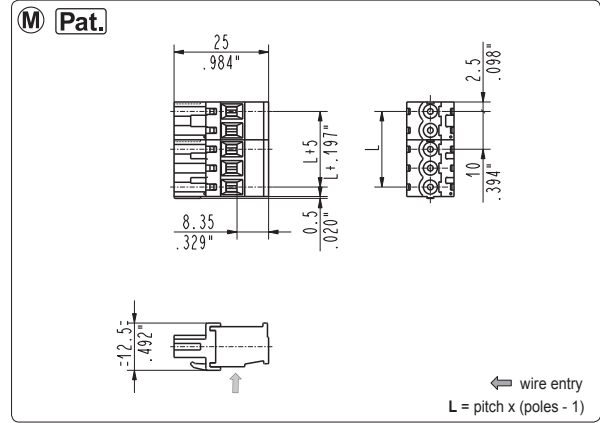
## Approvals

IEC-EN	IEC:	for 5 mm and 5.08 mm pitch:	200 V - 16 A - 2.5 mm <sup>2</sup> - T110 - 4kV - 3 / 320 V - 16 A - 2.5 mm <sup>2</sup> - T110 - 4kV - 2
	EN 61984	for 7.5 mm and 7.62 mm pitch:	320 V - 16 A - 2.5 mm <sup>2</sup> - T110 - 6kV - 3 / 500 V - 16 A - 2.5 mm <sup>2</sup> - T110 - 6kV - 2
		for 10 mm and 10.16 mm pitch:	500 V - 16 A - 2.5 mm <sup>2</sup> - T110 - 8kV - 3 / 800 V - 16 A - 2.5 mm <sup>2</sup> - T110 - 8kV - 2
UL	UL:	300 V - 15 A - 30÷12 AWG - 7 lbf-in for 5 mm, 5.08 mm, 7.5 mm and 7.62 mm pitch	
	File E167473	600 V - 15 A - 30÷12 AWG - 7 lbf-in for 10 mm and 10.16 mm pitch	
		Application values for end-use equipment have to be in accordance to UL norms and applicable to it.	
VDE	VDE:	for 5 mm and 5.08 mm pitch:	250 V - 16 A - 2.5 mm <sup>2</sup> - T110 - 2,5kV - 2
	File n. 40027448	for 7.5 mm and 7.62 mm pitch:	500 V - 16 A - 2.5 mm <sup>2</sup> - T110 - 4kV - 2
		for 10 mm and 10.16 mm pitch:	750 V - 16 A - 2.5 mm <sup>2</sup> - T110 - 6kV - 2
IMQ	IMQ:	for 5 mm and 5.08 mm pitch:	200 V - 16 A - 2.5 mm <sup>2</sup> - T110 - 4kV - 3 / 320 V - 16 A - 2.5 mm <sup>2</sup> - T110 - 4kV - 2
	File n. EM672	for 7.5 mm and 7.62 mm pitch:	320 V - 16 A - 2.5 mm <sup>2</sup> - T110 - 6kV - 3 / 500 V - 16 A - 2.5 mm <sup>2</sup> - T110 - 6kV - 2
		for 10 mm and 10.16 mm pitch:	500 V - 16 A - 2.5 mm <sup>2</sup> - T110 - 8kV - 3 / 800 V - 16 A - 2.5 mm <sup>2</sup> - T110 - 8kV - 2



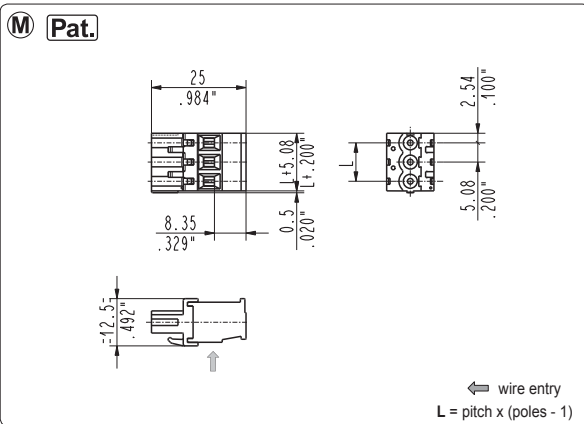
**CVF\_0M1** right, modular, female

5 mm / .197" pitch						
Poles	Code	Pcs/pack.	W [kg]*	Pcs/Ind.**	W [kg]*	
02	CVF020M1	500	2,08	1500	6,24	
03	CVF030M1	400	2,50	1000	6,24	
04	CVF040M1	300	2,50	1000	8,32	
05	CVF050M1	250	2,60	750	7,80	
06	CVF060M1	200	2,50	500	6,24	
07	CVF070M1	175	2,55	500	7,28	
08	CVF080M1	150	2,50	500	8,32	
09	CVF090M1	125	2,34	250	4,68	
10	CVF100M1	100	2,08	250	5,20	
11	CVF110M1	100	2,29	250	5,72	
12	CVF120M1	75	1,87	250	6,24	



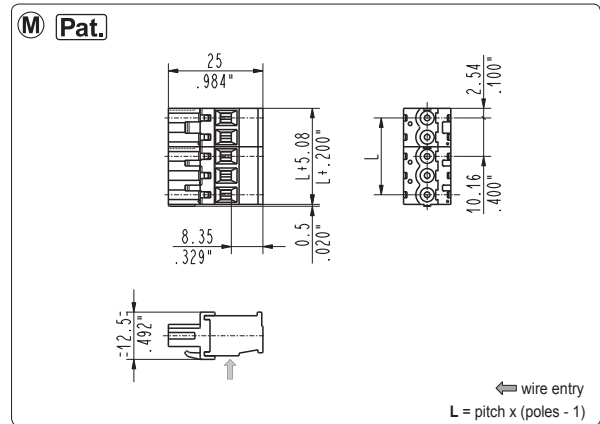
**CVF\_0M2** right, modular, female

10 mm / .394" pitch						
Poles	Code	Pcs/pack.	W [kg]*	Pcs/Ind.**	W [kg]*	
01	CVF010M2	500	1,33	1500	3,98	
02	CVF020M2	400	2,12	1000	5,30	
03	CVF030M2	250	1,99	1000	7,95	
04	CVF040M2	175	1,86	500	5,30	
05	CVF050M2	125	1,66	500	6,63	
06	CVF060M2	100	1,59	250	3,98	



**CVF\_0M5** right, modular, female

5,08 mm / .200" pitch						
Poles	Code	Pcs/pack.	W [kg]*	Pcs/Ind.**	W [kg]*	
02	CVF020M5	500	2,08	1500	6,24	
03	CVF030M5	400	2,50	1000	6,24	
04	CVF040M5	300	2,50	1000	8,32	
05	CVF050M5	250	2,60	750	7,80	
06	CVF060M5	200	2,50	500	6,24	
07	CVF070M5	175	2,55	500	7,28	
08	CVF080M5	150	2,50	500	8,32	
09	CVF090M5	125	2,34	250	4,68	
10	CVF100M5	100	2,08	250	5,20	
11	CVF110M5	100	2,29	250	5,72	
12	CVF120M5	75	1,87	250	6,24	

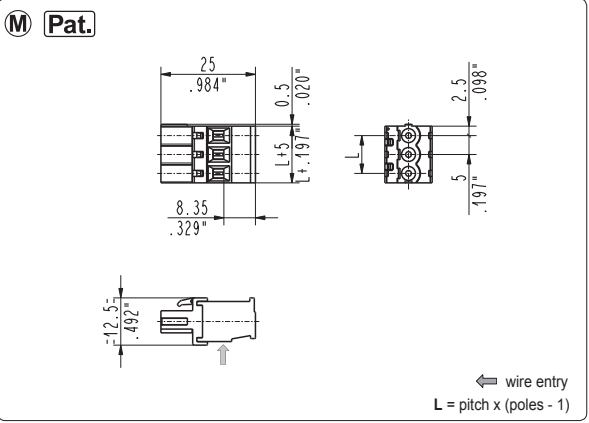


**CVF\_0M6** right, modular, female

10,16 mm / .400" pitch						
Poles	Code	Pcs/pack.	W [kg]*	Pcs/Ind.**	W [kg]*	
01	CVF010M6	500	1,33	1500	3,98	
02	CVF020M6	400	2,12	1000	5,30	
03	CVF030M6	250	1,99	1000	7,95	
04	CVF040M6	175	1,86	500	5,30	
05	CVF050M6	125	1,66	500	6,63	
06	CVF060M6	100	1,59	250	3,98	

\*W [kg]: approximate weight per box in kg

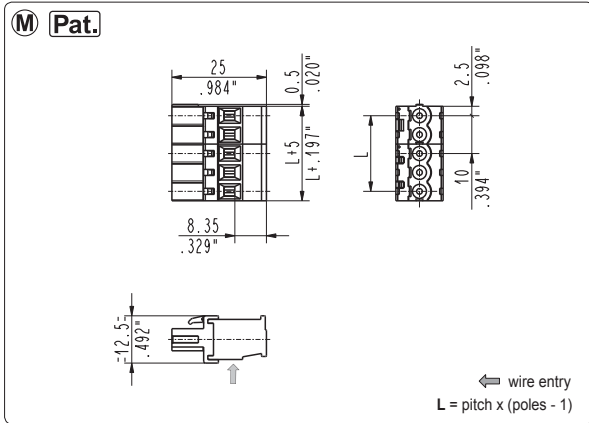
\*\*Industrial packaging: add "-00000E" at standard code



**CVF\_0W1** left, modular, female

5 mm / .197" pitch

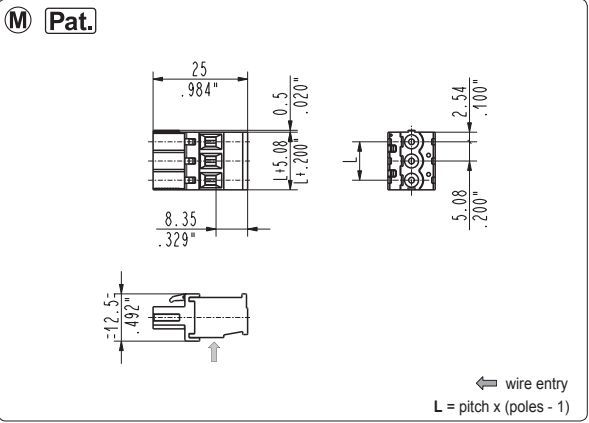
Poles	Code	Pcs/pack.	W [kg]*	Pcs/Ind.**	W [kg]*
02	CVF020W1	500	2,08	1500	6,24
03	CVF030W1	400	2,50	1000	6,24
04	CVF040W1	300	2,50	1000	8,32
05	CVF050W1	250	2,60	750	7,80
06	CVF060W1	200	2,50	500	6,24
07	CVF070W1	175	2,55	500	7,28
08	CVF080W1	150	2,50	500	8,32
09	CVF090W1	125	2,34	250	4,68
10	CVF100W1	100	2,08	250	5,20
11	CVF110W1	100	2,29	250	5,72
12	CVF120W1	75	1,87	250	6,24



**CVF\_0W2** left, modular, female

10 mm / .394" pitch

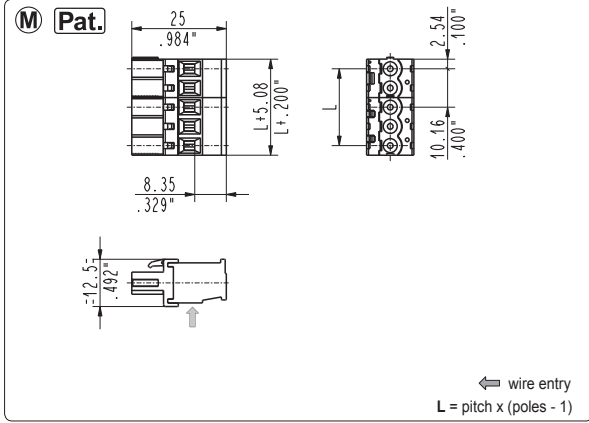
Poles	Code	Pcs/pack.	W [kg]*	Pcs/Ind.**	W [kg]*
01	CVF010W2	500	1,33	1500	3,98
02	CVF020W2	400	2,12	1000	5,30
03	CVF030W2	250	1,99	1000	7,95
04	CVF040W2	175	1,86	500	5,30
05	CVF050W2	125	1,66	500	6,63
06	CVF060W2	100	1,59	250	3,98



**CVF\_0W5** left, modular, female

5.08 mm / .200" pitch

Poles	Code	Pcs/pack.	W [kg]*	Pcs/Ind.**	W [kg]*
02	CVF020W5	500	2,08	1500	6,24
03	CVF030W5	400	2,50	1000	6,24
04	CVF040W5	300	2,50	1000	8,32
05	CVF050W5	250	2,60	750	7,80
06	CVF060W5	200	2,50	500	6,24
07	CVF070W5	175	2,55	500	7,28
08	CVF080W5	150	2,50	500	8,32
09	CVF090W5	125	2,34	250	4,68
10	CVF100W5	100	2,08	250	5,20
11	CVF110W5	100	2,29	250	5,72
12	CVF120W5	75	1,87	250	6,24

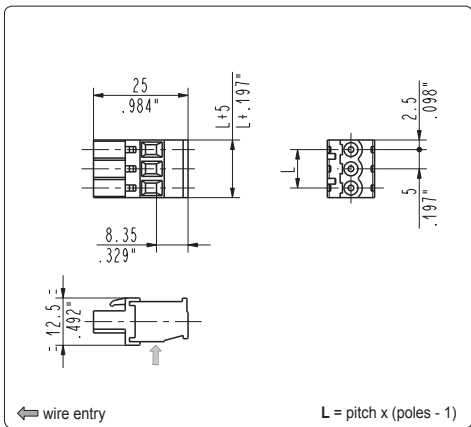


**CVF\_0W6** left, modular, female

10.16 mm / .400" pitch

Poles	Code	Pcs/pack.	W [kg]*	Pcs/Ind.**	W [kg]*
01	CVF010W6	500	1,33	1500	3,98
02	CVF020W6	400	2,12	1000	5,30
03	CVF030W6	250	1,99	1000	7,95
04	CVF040W6	175	1,86	500	5,30
05	CVF050W6	125	1,66	500	6,63
06	CVF060W6	100	1,59	250	3,98

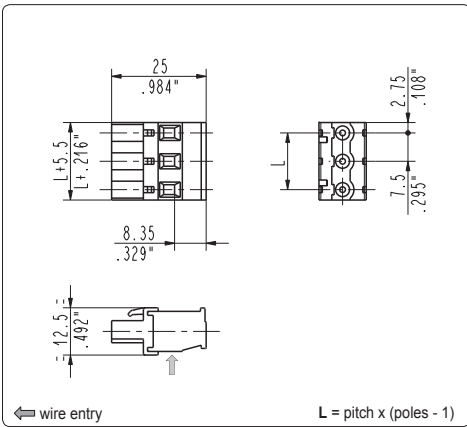




**CVF\_0L1 left, side stackable, female**

5 mm / .197" pitch

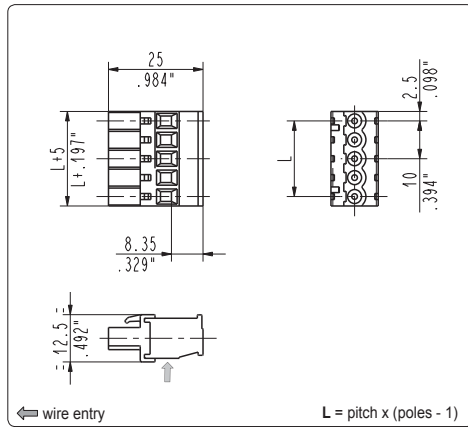
Poles	Code	Pcs/pack.	W [kg]*	Pcs/Ind.**	W [kg]*
02	CVF020L1	500	2,08	1500	6,24
03	CVF030L1	400	2,50	1000	6,24
04	CVF040L1	300	2,50	1000	8,32
05	CVF050L1	250	2,60	750	7,80
06	CVF060L1	200	2,50	500	6,24
07	CVF070L1	175	2,55	500	7,28
08	CVF080L1	150	2,50	500	8,32
09	CVF090L1	125	2,34	250	4,68
10	CVF100L1	100	2,08	250	5,20
11	CVF110L1	100	2,29	250	5,72
12	CVF120L1	75	1,87	250	6,24
13	CVF130L1	75	2,03	250	6,76
14	CVF140L1	75	2,18	250	7,28
15	CVF150L1	75	2,34	125	3,90
16	CVF160L1	75	2,50	125	4,16
17	CVF170L1	50	1,77	250	8,84
18	CVF180L1	50	1,87	125	4,68
19	CVF190L1	50	1,98	125	4,94
20	CVF200L1	50	2,08	125	5,20
21	CVF210L1	50	2,18	125	5,46
22	CVF220L1	50	2,29	125	5,72
23	CVF230L1	50	2,39	125	5,98
24	CVF240L1	50	2,50	125	6,24
25	CVF250L1	50	2,60	125	6,50



**CVF\_0L3 left, side stackable, female**

7.5 mm / .295" pitch

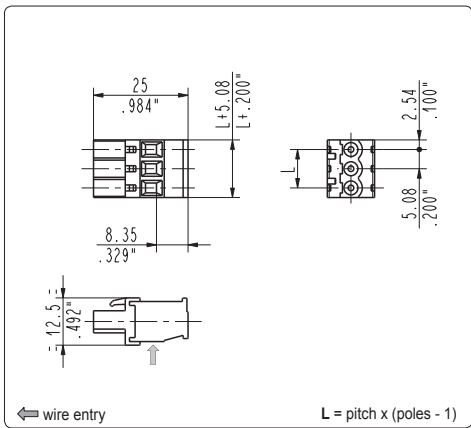
Poles	Code	Pcs/pack.	W [kg]*	Pcs/Ind.**	W [kg]*
02	CVF020L3	400	1,86	1000	4,66
03	CVF030L3	250	1,75	1000	6,99
04	CVF040L3	200	1,86	500	4,66
05	CVF050L3	150	1,75	500	5,83
06	CVF060L3	125	1,75	250	3,50
07	CVF070L3	100	1,63	250	4,08
08	CVF080L3	75	1,40	250	4,66
09	CVF090L3	75	1,57	250	5,24
10	CVF100L3	75	1,75	250	5,83
11	CVF110L3	50	1,28	250	6,41
12	CVF120L3	50	1,40	250	6,99



**CVF\_0L2 left, side stackable, female**

10 mm / .394" pitch

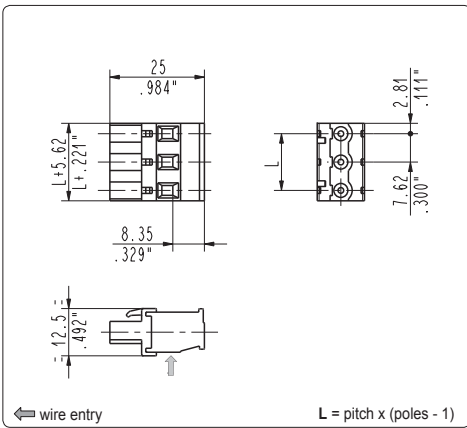
Poles	Code	Pcs/pack.	W [kg]*	Pcs/Ind.**	W [kg]*
02	CVF020L2	400	2,12	1000	5,30
03	CVF030L2	250	1,99	1000	7,95
04	CVF040L2	175	1,86	500	5,30
05	CVF050L2	125	1,66	500	6,63
06	CVF060L2	100	1,59	250	3,98
07	CVF070L2	75	1,39	250	4,64
08	CVF080L2	75	1,59	250	5,30
09	CVF090L2	50	1,19	250	5,96
10	CVF100L2	50	1,33	250	6,63
11	CVF110L2	50	1,46	250	7,29
12	CVF120L2	50	1,59	250	7,95
13	CVF130L2	50	1,72	250	8,61



**CVF\_0L5 left, side stackable, female**

5.08 mm / .200" pitch

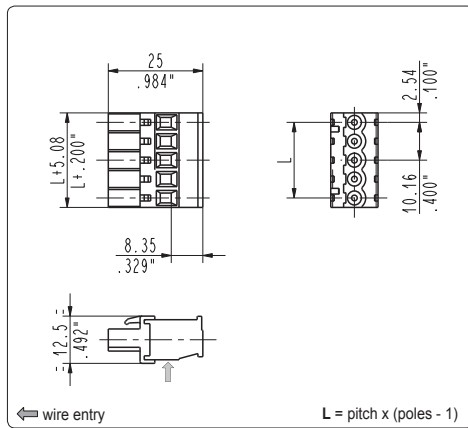
Poles	Code	Pcs/pack.	W [kg]*	Pcs/Ind.**	W [kg]*
02	CVF020L5	500	2,08	1500	6,24
03	CVF030L5	400	2,50	1000	6,24
04	CVF040L5	300	2,50	1000	8,32
05	CVF050L5	250	2,60	750	7,80
06	CVF060L5	200	2,50	500	6,24
07	CVF070L5	175	2,55	500	7,28
08	CVF080L5	150	2,50	500	8,32
09	CVF090L5	125	2,34	250	4,68
10	CVF100L5	100	2,08	250	5,20
11	CVF110L5	100	2,29	250	5,72
12	CVF120L5	75	1,87	250	6,24
13	CVF130L5	75	2,03	250	6,76
14	CVF140L5	75	2,18	250	7,28
15	CVF150L5	75	2,34	125	3,90
16	CVF160L5	75	2,50	125	4,16
17	CVF170L5	50	1,77	250	8,84
18	CVF180L5	50	1,87	125	4,68
19	CVF190L5	50	1,98	125	4,94
20	CVF200L5	50	2,08	125	5,20
21	CVF210L5	50	2,18	125	5,46
22	CVF220L5	50	2,29	125	5,72
23	CVF230L5	50	2,39	125	5,98
24	CVF240L5	50	2,50	125	6,24
25	CVF250L5	50	2,60	125	6,50



**CVF\_0L7 left, side stackable, female**

7.62 mm / .300" pitch

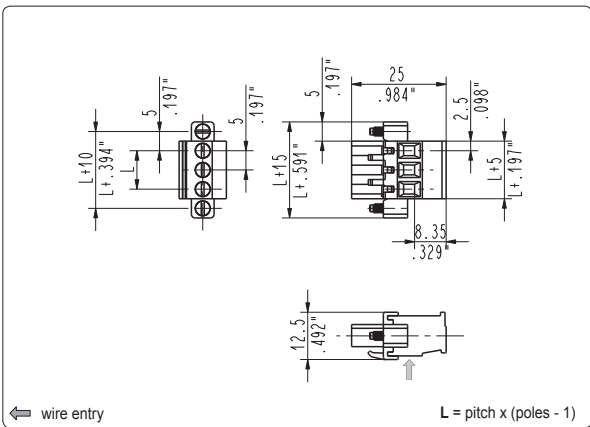
Poles	Code	Pcs/pack.	W [kg]*	Pcs/Ind.**	W [kg]*
02	CVF020L7	400	1,86	1000	4,66
03	CVF030L7	250	1,75	1000	6,99
04	CVF040L7	200	1,86	500	4,66
05	CVF050L7	150	1,75	500	5,83
06	CVF060L7	125	1,75	250	3,50
07	CVF070L7	100	1,63	250	4,08
08	CVF080L7	75	1,40	250	4,66
09	CVF090L7	75	1,57	250	5,24
10	CVF100L7	75	1,75	250	5,83
11	CVF110L7	50	1,28	250	6,41
12	CVF120L7	50	1,40	250	6,99



**CVF\_0L6 left, side stackable, female**

10.16 mm / .400" pitch

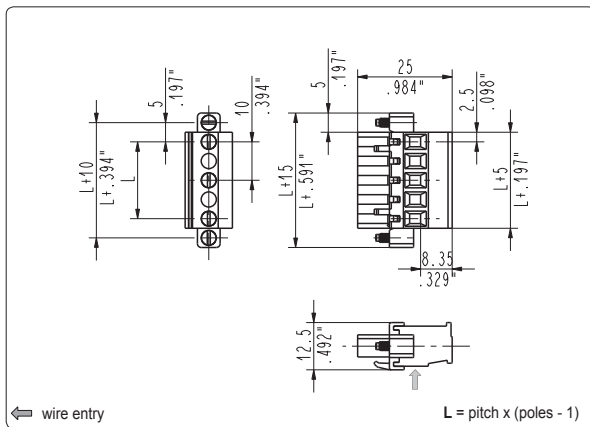
Poles	Code	Pcs/pack.	W [kg]*	Pcs/Ind.**	W [kg]*
02	CVF020L6	400	2,12	1000	5,30
03	CVF030L6	250	1,99	1000	7,95
04	CVF040L6	175	1,86	500	5,30
05	CVF050L6	125	1,66	500	6,63
06	CVF060L6	100	1,59	250	3,98
07	CVF070L6	75	1,39	250	4,64
08	CVF080L6	75	1,59	250	5,30
09	CVF090L6	50	1,19	250	5,96
10	CVF100L6	50	1,33	250	6,63
11	CVF110L6	50	1,46	250	7,29
12	CVF120L6	50	1,59	250	7,95
13	CVF130L6	50	1,72	250	8,61



**CVF\_0D1** right, locking screw flanges, female

5 mm / .197" pitch

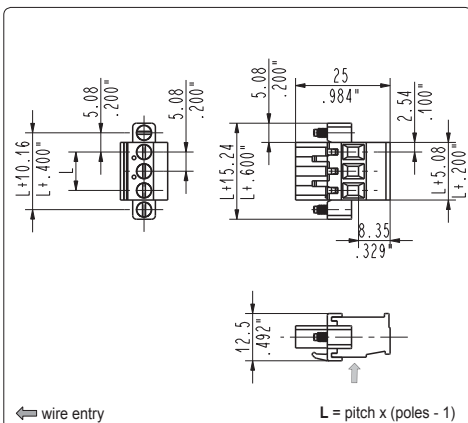
Poles	Code	Pcs/pack.	W [kg]*	Pcs/Ind.**	W [kg]*
02	CVF020D1	300	1,49	1000	4,96
03	CVF030D1	250	1,76	750	5,28
04	CVF040D1	200	1,82	500	4,56
05	CVF050D1	175	1,96	500	5,60
06	CVF060D1	150	1,99	500	6,64
07	CVF070D1	125	1,92	250	3,84
08	CVF080D1	100	1,74	250	4,36



**CVF\_0D2** right, locking screw flanges, female

10 mm / .394" pitch

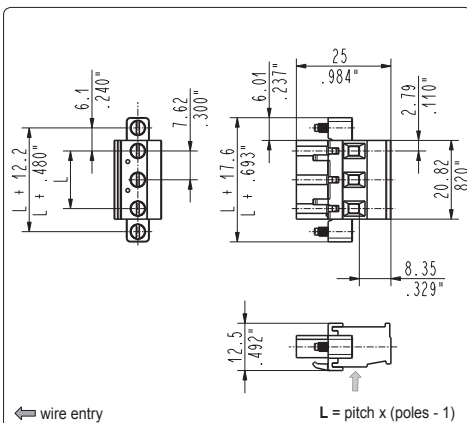
Poles	Code	Pcs/pack.	W [kg]*	Pcs/Ind.**	W [kg]*
02	CVF020D2	250	1,40	750	4,19
03	CVF030D2	175	1,39	500	3,99
04	CVF040D2	125	1,30	250	2,59



**CVF\_0D5** right, locking screw flanges, female

5.08 mm / .200" pitch

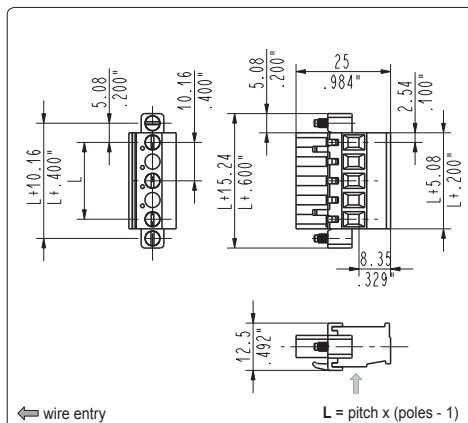
Poles	Code	Pcs/pack.	W [kg]*	Pcs/Ind.**	W [kg]*
02	CVF020D5	300	1,49	1000	4,96
03	CVF030D5	250	1,76	750	5,28
04	CVF040D5	200	1,82	500	4,56
05	CVF050D5	175	1,96	500	5,60
06	CVF060D5	150	1,99	500	6,64
07	CVF070D5	125	1,92	250	3,84
08	CVF080D5	100	1,74	250	4,36
09	CVF090D5	100	1,95	250	4,88
10	CVF100D5	75	1,62	250	5,40
11	CVF110D5	75	1,78	250	5,92
12	CVF120D5	75	1,93	250	6,44
13	CVF130D5	75	2,09	250	6,96
14	CVF140D5	75	2,24	250	7,48
15	CVF150D5	50	1,60	125	4,00
16	CVF160D5	50	1,70	125	4,26
17	CVF170D5	50	1,81	125	4,52
18	CVF180D5	50	1,91	125	4,78
19	CVF190D5	50	2,02	125	5,04
20	CVF200D5	50	2,12	125	5,30
21	CVF210D5	50	2,22	125	5,56
22	CVF220D5	50	2,33	125	5,82
23	CVF230D5	50	2,43	125	6,08



**CVF\_0D7** right, locking screw flanges, female

7.62 mm / .300" pitch

Poles	Code	Pcs/pack.	W [kg]*	Pcs/Ind.**	W [kg]*
02	CVF020D7	250	1,45	750	4,35
03	CVF030D7	175	1,52	500	4,35
04	CVF040D7	125	1,45	250	2,90
05	CVF050D7	100	1,45	250	3,63
06	CVF060D7	75	1,31	250	4,35
07	CVF070D7	75	1,52	250	5,08
08	CVF080D7	50	1,16	125	2,90
09	CVF090D7	50	1,31	125	3,26
10	CVF100D7	50	1,45	125	3,63
11	CVF110D7	50	1,60	125	3,99
12	CVF120D7	50	1,74	125	4,35



**CVF\_0D6** right, locking screw flanges, female

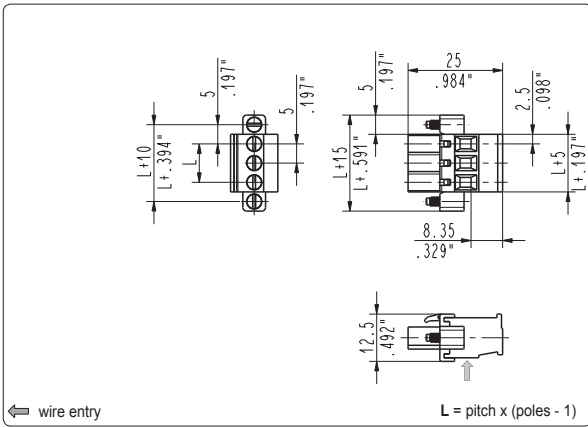
10.16 mm / .400" pitch

Poles	Code	Pcs/pack.	W [kg]*	Pcs/Ind.**	W [kg]*
02	CVF020D6	250	1,40	750	4,19
03	CVF030D6	175	1,39	500	3,99
04	CVF040D6	125	1,30	250	2,59
05	CVF050D6	100	1,28	250	3,19
06	CVF060D6	75	1,14	250	3,79
07	CVF070D6	75	1,31	250	4,38
08	CVF080D6	50	1,00	125	2,49
09	CVF090D6	50	1,12	125	2,79
10	CVF100D6	50	1,24	125	3,09
11	CVF110D6	50	1,35	125	3,39
12	CVF120D6	50	1,47	125	3,69

\*W [kg]: approximate weight per box in kg

\*\*Industrial packaging: add "-00000E" at standard code

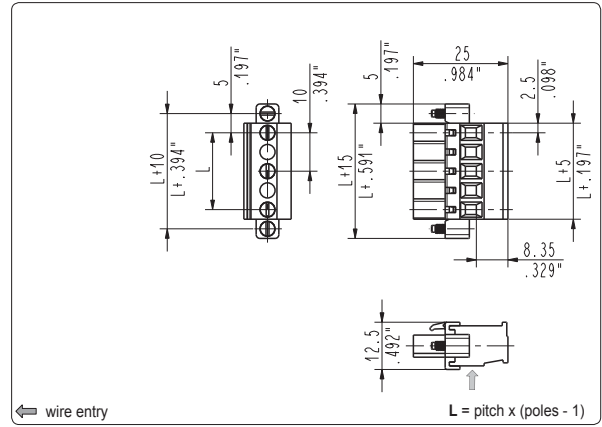




**CVF\_0S1** left, locking screw flanges, female

**5 mm / .197" pitch**

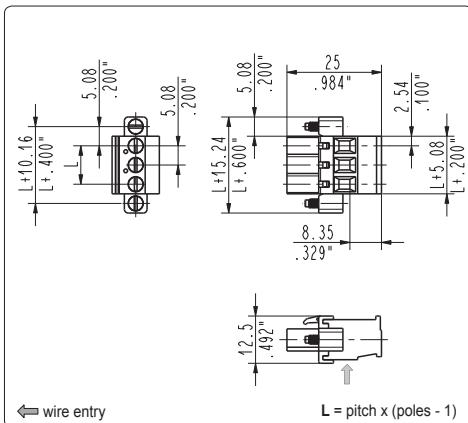
Poles	Code	Pcs/pack.	W [kg]*	Pcs/Ind.**	W [kg]*
02	CVF020S1	300	1,49	1000	4,96
03	CVF030S1	250	1,76	750	5,28
04	CVF040S1	200	1,82	500	4,56
05	CVF050S1	175	1,96	500	5,60
06	CVF060S1	150	1,99	500	6,64
07	CVF070S1	125	1,92	250	3,84
08	CVF080S1	100	1,74	250	4,36



**CVF\_0S2** left, locking screw flanges, female

**10 mm / .394" pitch**

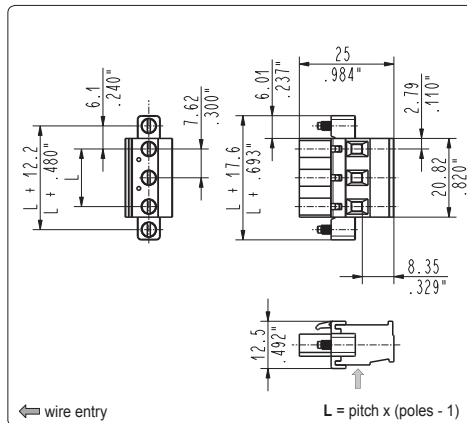
Poles	Code	Pcs/pack.	W [kg]*	Pcs/Ind.**	W [kg]*
02	CVF020S2	250	1,40	750	4,19
03	CVF030S2	175	1,39	500	3,99
04	CVF040S2	125	1,30	250	2,59



**CVF\_0S5** left, locking screw flanges, female

**5.08 mm / .200" pitch**

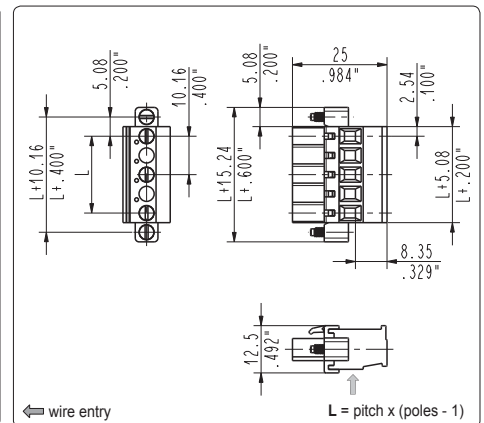
Poles	Code	Pcs/pack.	W [kg]*	Pcs/Ind.**	W [kg]*
02	CVF020S5	300	1,49	1000	4,96
03	CVF030S5	250	1,76	750	5,28
04	CVF040S5	200	1,82	500	4,56
05	CVF050S5	175	1,96	500	5,60
06	CVF060S5	150	1,99	500	6,64
07	CVF070S5	125	1,92	250	3,84
08	CVF080S5	100	1,74	250	4,36
09	CVF090S5	100	1,95	250	4,88
10	CVF100S5	75	1,62	250	5,40
11	CVF110S5	75	1,78	250	5,92
12	CVF120S5	75	1,93	250	6,44
13	CVF130S5	75	2,09	250	6,96
14	CVF140S5	75	2,24	250	7,48
15	CVF150S5	50	1,60	125	4,00
16	CVF160S5	50	1,70	125	4,26
17	CVF170S5	50	1,81	125	4,52
18	CVF180S5	50	1,91	125	4,78
19	CVF190S5	50	2,02	125	5,04
20	CVF200S5	50	2,12	125	5,30
21	CVF210S5	50	2,22	125	5,56
22	CVF220S5	50	2,33	125	5,82
23	CVF230S5	50	2,43	125	6,08



**CVF\_0S7** left, locking screw flanges, female

**7.62 mm / .300" pitch**

Poles	Code	Pcs/pack.	W [kg]*	Pcs/Ind.**	W [kg]*
02	CVF020S7	250	1,45	750	4,35
03	CVF030S7	175	1,52	500	4,35
04	CVF040S7	125	1,45	250	2,90
05	CVF050S7	100	1,45	250	3,63
06	CVF060S7	75	1,31	250	4,35
07	CVF070S7	75	1,52	250	5,08
08	CVF080S7	50	1,16	125	2,90
09	CVF090S7	50	1,31	125	3,26
10	CVF100S7	50	1,45	125	3,63
11	CVF110S7	50	1,60	125	3,99
12	CVF120S7	50	1,74	125	4,35



**CVF\_0S6** left, locking screw flanges, female

**10.16 mm / .400" pitch**

Poles	Code	Pcs/pack.	W [kg]*	Pcs/Ind.**	W [kg]*
02	CVF020S6	250	1,40	750	4,19
03	CVF030S6	175	1,39	500	3,99
04	CVF040S6	125	1,30	250	2,59
05	CVF050S6	100	1,28	250	3,19
06	CVF060S6	75	1,14	250	3,79
07	CVF070S6	75	1,31	250	4,38
08	CVF080S6	50	1,00	125	2,49
09	CVF090S6	50	1,12	125	2,79
10	CVF100S6	50	1,24	125	3,09
11	CVF110S6	50	1,35	125	3,39
12	CVF120S6	50	1,47	125	3,69

## X-ON Electronics

Largest Supplier of Electrical and Electronic Components

*Click to view similar products for [Pluggable Terminal Blocks](#) category:*

*Click to view products by [Sauro](#) manufacturer:*

Other Similar products are found below :

[57.404.7553](#) [57.504.0053.7](#) [57.510.0053](#) [57.910.6153](#) [01.112.1453](#) [CTB932VE/6](#) [MC 1.5/ 6-ST-3.5 GY AU](#) [ET02015000J0G](#) [734-104](#) [734-302](#) [734-304](#) [8-141-P](#) [FKCT 2.5/ 3-ST KMGY](#) [860505](#) [860508](#) [860516](#) [860810](#) [861908](#) [GBPACX-12](#) [93.731.4953.0](#) [PV05-5,08-K](#) [PVP02-5,00](#) [PVP04-3,50](#) [PVS02-5,00](#) [1-1986160-3](#) [H-10](#) [ELFH09150](#) [ELFH16150](#) [ELFP03110](#) [ELFT06250](#) [ELFT07250](#) [ELVF09400](#) [ELVP03100](#) [ELXH03100](#) [ELXH071G0E](#) [ELXP041G0](#) [ELXT046G0](#) [1700101](#) [1700410](#) [1700425](#) [1703176](#) [1705229](#) [1710175](#) [1714537](#) [1717806](#) [1719600](#) [1729386](#) [1734692](#) [1734795](#) [1736036](#)