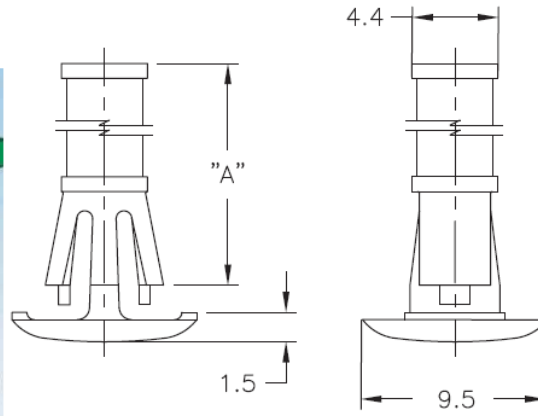
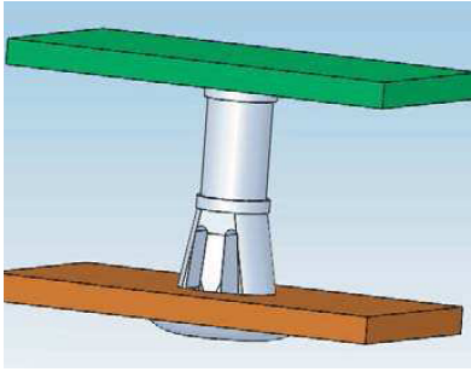


## RLCBSRS

### Reverse Locking Circuit Board Support Round Hole Spacer



RLCBSRS	Standard Pack: 1,000 per bag
Mat'l: Nylon 6/6, RMS-01* Color: Natural	"A" ± 0.4
RLCBSRS-4-01	6.4
RLCBSRS-5-01	7.9
RLCBSRS-6-01	9.5
RLCBSRS-7-01	11.1
RLCBSRS-8-01	12.7
RLCBSRS-9-01	14.3
RLCBSRS-10-01	15.9
*Available in UL94 V0 material. To order, replace -01 with -19.	

#### Features

- Inserted from the chassis underside
- Minimal protrusion under the chassis
- Provides support for heavily loaded PC boards

**Bottom Hole:** Snap-lock:  $4.75 \pm 0.08$

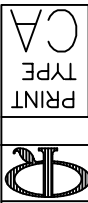
**Panel Thickness:** 1.5 - 1.6

LOCK	SM 05.04.01
J.L.	11.25.97
PB	05.23.95
RT	05.15.92
ENG	DATE

TOLERANCES UNLESS NOTED  
 MAT'L: SEE NOTES  
 FILE # RLCBSRS  
 DWN: P.B.  
 APP:

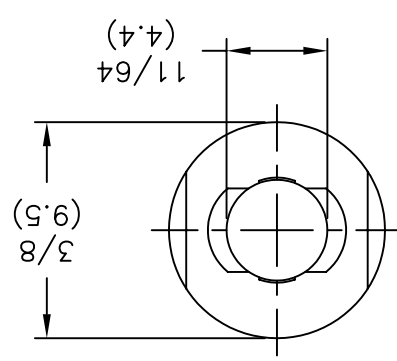
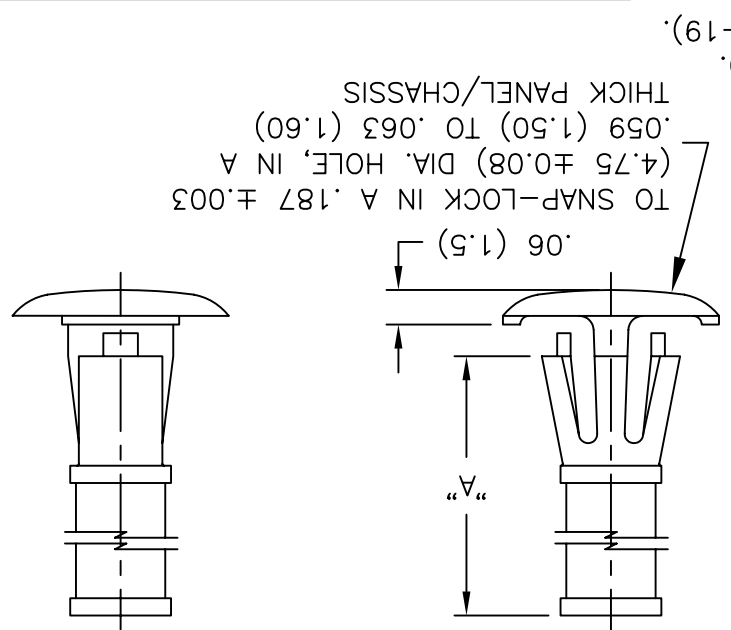
RE: RICHCO, INC.  
 RICHCO INC.  
 PO BOX 804238, CHICAGO, 60680  
 (773) 539-4060

SEE TABLE  
 PART #  
 PRINT TYPE CA



TITLE: REVERSE LOCKING SKI. BD. SUPPORT, ROUND HOLE STANDOFF

DIM "A" ±.015 (±0.4)	RLCBSRS-4-01	1/4 (6.4)
	RLCBSRS-5-01	5/16 (7.9)
	RLCBSRS-6-01	3/8 (9.5)
	RLCBSRS-7-01	7/16 (11.1)
	RLCBSRS-8-01	1/2 (12.7)
	RLCBSRS-9-01	9/16 (14.3)
	RLCBSRS-10-01	5/8 (15.9)



## X-ON Electronics

Largest Supplier of Electrical and Electronic Components

*Click to view similar products for [Electrical Enclosure Accessories](#) category:*

*Click to view products by [Richco](#) manufacturer:*

Other Similar products are found below :

[60121-06-028 C-325 Black](#) [71884-04-028 CM3-100 Black](#) [71884-18-028 LH43-200 Black](#) [71884-24-028 LH75-200 Black](#) [71885-01-028 CM6-150 Black](#) [72459-02-028 DM-3 BLACK](#) [81501-01-000 XPL, 9VB Black](#) [82402-01 PT-8 ALUM](#) [1335GSKT3](#) [14101FP-PK](#) [CB-1263-BT](#) [1611512-4](#) [HB-11498](#) [RC-7775](#) [HM BLACK PANEL](#) [61033-01-000](#) [115123-01-508 CN-RL RS](#) [115124-01-508 CN-XRL XRS](#) [115119-01-000 CN-RL RS](#) [115123-01-000 CN-RL RS](#) [60121-04-028 C-275 Black](#) [60128-01-072](#) [60222-01-028 CM6-225 Black](#) [60272-01-028 CM3-150 Black](#) [60851-01-028 CM69-120 Black](#) [62291-502-000-KEU-10-BLK](#) [62452-01-000 HML-9VB, EB Black](#) [71884-25-028 LH89-130 Black](#) [AXX2POSTBRCKT](#) [FUPMESK](#) [71884-23-028 LH75-130 Black](#) [1317GSKTSC](#) [8G813V40389](#) [DVA.1-10-15-M4-10-70](#) [DVC.1-60-49-60-M10-28-55](#) [DVC.1-15-8,5-15-M4-10-40](#) [DVC.1-20-12-30-M6-18-40](#) [DVC.1-30-18-25-M8-20-40](#) [DVC.1-35-31-15-M8-20-40](#) [DVC.1-35-31-15-M8-20-70](#) [DVC.1-75-60-40-M12-37-70](#) [DVC.2-30-22-20-M8-20-55](#) [DVC.2-40-30-25-M8-23-55](#) [DVC.2-75-60-40-M12-37-55](#) [DVC.2-21-16-22-M6-18-40](#) [DVC.2-40-20-48-M8-23-40](#) [DVC.2-40-32-50-M8-23-40](#) [DVC.2-20-14-19-M6-18-70](#) [DVC.2-25-18-20-M6-18-70](#) [DVC.3-20-14-20-M6-40](#) [DVC.3-20-14-30-M6-40](#)