

# AS85049/103

## Composite Straight RFI/EMI Shield-Sock Adapter with Detented or Non-Detented Self-Locking Coupling Nut

## CONNECTOR DESIGNATOR:

<b>H</b>	MIL-DTL-38999 Series III and IV
----------	---------------------------------

Product Series and Basic Part Number
---

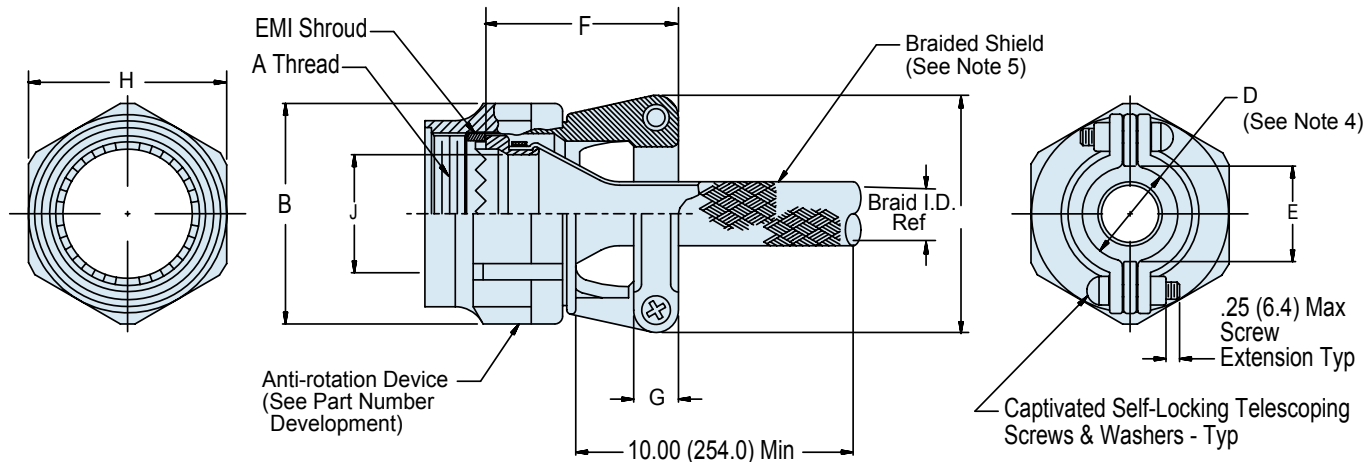
Shell Size (Table I)
-------------------------

<b>M85049/103</b>
-------------------

<b>- 11</b>
-------------

<b>N</b>
----------

<i>N = Non-Detented Self-Locking (Omit for Detented Self-Locking) (See Note 6)</i>
--



## APPLICATION NOTES

- For complete dimensions see the applicable Military Specification.
- Metric dimensions (mm) are in parentheses.
- Glenair 600 Series backshell assembly tools are recommended for assembly and installation.
- Cable entry is measured with saddle bars closed and bottomed on clamp ears.
- For shield/splice termination use AS85049/93 split support ring.
- Detented self-locking has a positive audible detented coupling.
- Material/Finish:  
Clamp body, coupling nut, saddles - High grade engineering thermoplastic/N.A.  
Clamp hardware - CRES/passivated, silver plated, mfg option  
Anti-rotation device - Corrosion resistant material  
Braid - Copper/nickel plated  
Interface ring and shroud - Brass/nickel plated  
Braid retention device - See Table II

**AS85049/103**  
**Composite Straight RFI/EMI Shield-Sock Adapter**  
**with Detented or Non-Detented Self-Locking Coupling Nut**



**TABLE I: Shell Size and Dimensions**

Shell Size	A Thread Class 2B	B Max	C Max	D ± .031 (0.79) See Note 4	E Min	F Max	G ± .030 (0.76)	H Hex	J Min	Braid I.D. Ref	Screw Size
09	M12 X 1 - 6H	.858 (21.79)	.98 (24.89)	.265 (6.73)	.229 (5.82)	.939 (23.85)	.375 (9.53)	.750/.736 (19.05/18.69)	.264 (6.71)	.375 (9.53)	4-40
11	M15 X 1 - 6H	.984 (24.99)	1.05 (26.67)	.310 (7.87)	.274 (6.96)	1.059 (26.90)	.375 (9.53)	.875/.860 (22.23/21.84)	.390 (9.91)	.375 (9.53)	4-40
13	M18 X 1 - 6H	1.157 (29.39)	1.20 (30.48)	.390 (9.91)	.354 (8.99)	1.199 (30.45)	.406 (10.31)	1.000/.980 (25.40/24.89)	.504 (12.80)	.500 (12.70)	6-32
15	M22 X 1 - 6H	1.280 (32.51)	1.30 (33.02)	.506 (12.85)	.470 (11.94)	1.199 (30.45)	.406 (10.31)	1.125/1.100 (31.75/31.09)	.630 (16.00)	.500 (12.70)	6-32
17	M25 X 1 - 6H	1.406 (35.71)	1.44 (36.58)	.591 (15.01)	.555 (14.10)	1.329 (33.76)	.406 (10.31)	1.250/1.224 (31.75/31.09)	.756 (19.20)	.781 (19.84)	6-32
19	M28 X 1 - 6H	1.516 (38.51)	1.56 (39.62)	.661 (16.79)	.625 (15.88)	1.509 (38.33)	.406 (10.31)	1.375/1.348 (34.93/34.24)	.843 (21.41)	.781 (19.84)	6-32
21	M31 X 1 - 6H	1.642 (41.71)	1.69 (42.93)	.744 (18.90)	.708 (17.98)	1.609 (40.87)	.406 (10.31)	1.500/1.469 (38.10/37.31)	.969 (24.61)	1.000 (25.40)	6-32
23	M34 X 1 - 6H	1.768 (44.91)	1.77 (44.96)	.826 (20.98)	.790 (20.07)	1.759 (44.68)	.406 (10.31)	1.625/1.581 (41.28/40.16)	1.091 (27.71)	1.000 (25.40)	6-32
25	M37 X 1 - 6H	1.890 (48.01)	1.89 (48.01)	.896 (22.76)	.860 (21.84)	1.859 (47.22)	.406 (10.31)	1.750/1.690 (44.45/42.93)	1.217 (30.91)	1.250 (31.75)	6-32

**Table II (Manufacturer's Option)**

Material	Finish
Aluminum Alloy	Iridite per AMS-C-5541
Stainless Steel	Passivated
Copper	Tin Plate

## X-ON Electronics

Largest Supplier of Electrical and Electronic Components

*Click to view similar products for [Circular MIL Spec Backshells](#) category:*

*Click to view products by [Glenair](#) manufacturer:*

Other Similar products are found below :

[5M2919-3DW](#) [5M2920-3CW](#) [5M2953-1HW](#) [60-036152-022](#) [610HS012M15](#) [M28840/504WA](#) [M28840/805WB](#) [M28840/809WA](#)  
[M28840/815WA](#) [M28840/816WA](#) [627AS017M14](#) [62GB5851608S](#) [655HS002NF11](#) [CW3703-000](#) [CW3899-000](#) [M85049/10-134S](#)  
[M85049/10-17S](#) [M85049/10-33S](#) [M85049/10-94W](#) [M85049/11-09W](#) [M85049/11-28N](#) [M85049/11-37N](#) [M85049/11-53N](#) [M85049/11-63N](#)  
[M85049/118-20W](#) [M85049/124-23W](#) [M85049/124S09W](#) [M85049/126S23W](#) [M850491712W02](#) [M85049/1720N04B](#) [M85049/1817N06](#)  
[M850491819W03](#) [M85049/1821W05C](#) [M85049/1825W06C](#) [M85049/1919N05](#) [M85049/1919W04](#) [M850491919W07](#) [M85049/23-59W](#)  
[M85049/23-74W](#) [M8504924-5W](#) [M85049/24-71N](#) [M85049/25-47N](#) [M85049/25-94W](#) [M85049/27S12N](#) [M8504938-13S](#) [M85049/38-19S](#)  
[M85049/39-11S](#) [M85049/39-17S](#) [M85049/39-9S](#) [M85049/3W4A2](#)