



ul. Konstytucyjna 79/81
95-200 Pabianice
tel/fax 48 42 2270971 POLAND
e-mail: fif@fif.com.pl

CZF2

PHASE CONTROL RELAYS

with checking state of contactor contacts



www.fif.com.pl

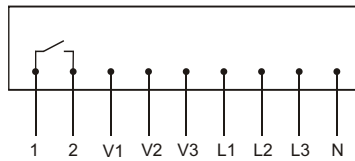
F&F products are covered by an 24 months warranty from date of purchase

PURPOSE

Three phase monitors serve to protect the three-phase electric motors supplied from three-phase mains, against phase collapse in at least one phase or against phase-to-phase voltage asymmetry, threatening to damage the motor.



WIRING DIAGRAM



FUNCTIONING

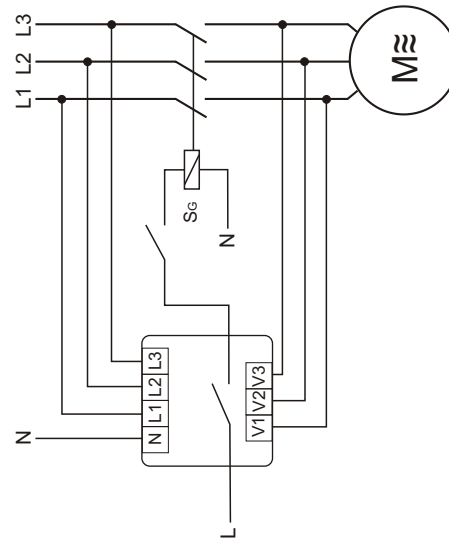
Supplied a receiver is signaled by shine of green LED. Phase collapse in at least one phase or voltage unbalance between phases - more than 45V~ - above fixed actuation threshold causes switching-OFF the motor. The motor switching-OFF occurs with delay from 3 to 5 sec, which prevents any accidental motor disconnecting at temporary voltage drop. Break of any contactor is signaled by shine of red LED. The re-connection is possible after take OFF the power, fixe a break and again take ON the power. At occurrence of these disturbances, it is not possible to set a motor in motion.

ASSEMBLY

1. Check work of motor.
2. Take OFF the power.
3. Put on the relay to substrate.
4. Connect power with marks.
5. Contractor of relay (joints 1-2) connect in line to coil of contactor which switch On the motor.

TECHNICAL DATA

supply	3×400/230V +N
current load	<10A
joint	1N/O
sygnalling of supply	2×LED
activation voltage asymmetry	45V~
activation voltage	185V~
hysteresis	5V~
switching OFF delay	4sec
power consumption	1,6W
working temperature	-25+40°C
connection	screw terminals 2,5mm ²
dimensions	95×60×25mm
fixing	two screws to substrate



X-ON Electronics

Largest Supplier of Electrical and Electronic Components

Click to view similar products for [General Purpose Relays](#) category:

Click to view products by [F&F](#) manufacturer:

Other Similar products are found below :

[APF30318](#) [JVN1AF-4.5V-F](#) [PCN-105D3MHZ](#) [5JO-10000S-SIL](#) [5JO-1000CD-SIL](#) [5JO-400CD-SIL](#) [LY2S-AC220/240](#) [LYQ20DC12](#)
[6031007G](#) [6131406HQ](#) [6-1393099-3](#) [6-1393099-8](#) [6-1393122-4](#) [6-1393123-2](#) [6-1393767-1](#) [6-1393843-7](#) [6-1415012-1](#) [6-1419102-2](#) [6-1423698-4](#) [6-1608051-6](#) [6-1608067-0](#) [6-1616170-6](#) [6-1616248-2](#) [6-1616282-3](#) [6-1616348-2](#) [6-1616350-1](#) [6-1616350-8](#) [6-1616358-7](#) [6-1616359-9](#) [6-1616360-9](#) [6-1616931-6](#) [6-1617039-1](#) [6-1617052-1](#) [6-1617090-2](#) [6-1617090-5](#) [6-1617347-5](#) [6-1617353-3](#) [6-1617801-8](#) [6-1617802-2](#) [6-1618107-9](#) [6-1618248-4](#) [M83536/1-027M](#) [CX-4014](#) [MAHC-5494](#) [MAVCD-5419-6](#) [703XCX-120A](#) [7-1393100-5](#) [7-1393111-7](#)
[7-1393144-5](#) [7-1393767-8](#)