



ul. Konstytucyjna 79/81
95-200 Pabianice
tel/fax 48 42 2270971 POLAND
e-mail: fif@fif.com.pl

CZF-332

PHASE CONTROL RELAYS

with checking state of contactor joints

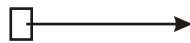


www.fif.com.pl

F&F products are covered by an 24 months warranty from date of purchase

PURPOSE

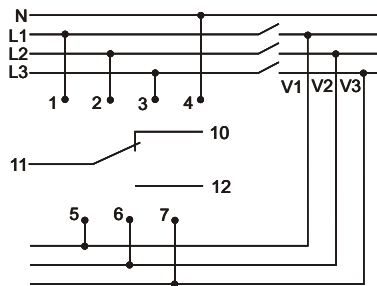
Three phase monitors serve to protect the three-phase electric motors supplied from three-phase mains, against phase collapse in at least one phase or against phase-to-phase voltage asymmetry, threatening to damage the motor.



TECHNICAL DATA

supply	3×400/230V+N
current load	<10A
joint	1N/O
sygnalling of supply	2×LED
activation voltage asymmetry	40+50V~
activation voltage	175+190V~
hysteresis	5V~
switching OFF delay	3+5sec
power consumption	1,6W
working temperature	-25+40°C
connection	screw terminals 2,5mm ²
dimensions	3 modules (52,5mm)
fixing	on rail TH-35

WIRING DIAGRAM



FUNCTIONING

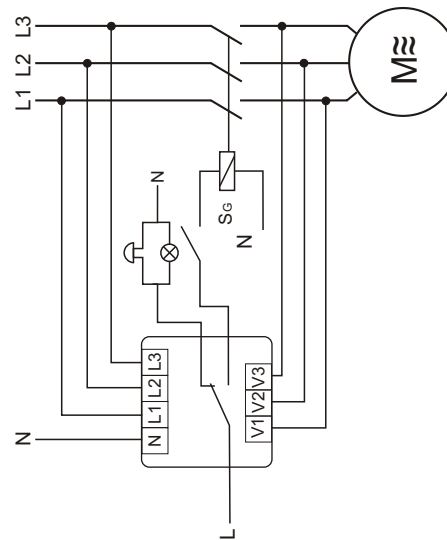
Supplied a receiver is signalized by shine of green LED. Phase collapse in at least one phase or voltage unbalance between phases - more than set value of treshold by user - above fixed actuation threshold causes switching-OFF the motor. The motor switching-OFF occurs with delay from 3 to 5sec, which prevents any accidental motor disconnecting at temporary voltage drop. The re-connection will occur automatically at voltage increase of 5V above activation voltage (i.e. of value of voltage hysteresis). Break of any contactor is signalized by shine of red LED. The re-connection is possible after take OFF the power, fixe a break and again take ON the power. At occurrence of these disturbances, it is not possible to set a motor in motion.

ATTENTION!

Switch joint of relay could connect to system of LED or bell which will be inform about activation of relay i.e. switch OFF the relay.

ASSEMBLY

1. Check work of motor.
2. Take OFF the power.
3. Put on the relay on the rail in the switchgear box.
4. Connect to installation with marks.



A090625

X-ON Electronics

Largest Supplier of Electrical and Electronic Components

Click to view similar products for [General Purpose Relays](#) category:

Click to view products by [F&F](#) manufacturer:

Other Similar products are found below :

[APF30318](#) [JVN1AF-4.5V-F](#) [PCN-105D3MHZ](#) [5JO-10000S-SIL](#) [5JO-1000CD-SIL](#) [5JO-400CD-SIL](#) [LY2S-AC220/240](#) [LYQ20DC12](#)
[6031007G](#) [6131406HQ](#) [6-1393099-3](#) [6-1393099-8](#) [6-1393122-4](#) [6-1393123-2](#) [6-1393767-1](#) [6-1393843-7](#) [6-1415012-1](#) [6-1419102-2](#) [6-](#)
[1423698-4](#) [6-1608051-6](#) [6-1608067-0](#) [6-1616170-6](#) [6-1616248-2](#) [6-1616282-3](#) [6-1616348-2](#) [6-1616350-1](#) [6-1616350-8](#) [6-1616358-7](#) [6-](#)
[1616359-9](#) [6-1616360-9](#) [6-1616931-6](#) [6-1617039-1](#) [6-1617052-1](#) [6-1617090-2](#) [6-1617090-5](#) [6-1617347-5](#) [6-1617353-3](#) [6-1617801-8](#) [6-](#)
[1617802-2](#) [6-1618107-9](#) [6-1618248-4](#) [M83536/1-027M](#) [CX-4014](#) [MAHC-5494](#) [MAVCD-5419-6](#) [703XCX-120A](#) [7-1393100-5](#) [7-1393111-7](#)
[7-1393144-5](#) [7-1393767-8](#)