



ul. Konstytucyjna 79/81
95-200 Pabianice
tel/fax 48 42 2270971 POLAND
e-mail: fif@fif.com.pl

CZF-BR

PHASE CONTROL RELAYS

three phase monitors

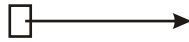


www.fif.com.pl

F&F products are covered by an 24 months warranty from date of purchase

PURPOSE

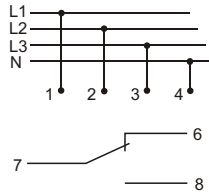
Three phase monitors serve to protect the three-phase electric motors supplied from three-phase mains, against phase collapse in at least one phase or against phase-to-phase voltage asymmetry, threatening to damage the motor.



ATTENTION!

Switching joint could to connect LED or bell which will be to brief about of action of relay, i.g. switch OFF the motor.

WIRING DIAGRAM



FUNCTIONING

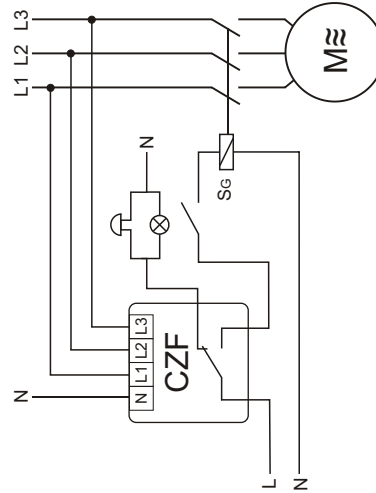
Supplied a receiver is signalized by shine of diode LED in at everyone phase. Phase collapse in at least one phase or voltage unbalance between phases above fixed actuation threshold causes switching-OFF the motor. The motor switching-OFF occurs with delay 4 sec, which prevents any accidental motor disconnecting at temporary voltage drop. The re-connection will occur automatically at voltage increase of 5V above activation voltage (i.e. of value of voltage hysteresis). At occurrence of these disturbances, it is not possible to set a motor in motion.

ASSEMBLY

1. Check work of motor.
2. Take OFF the power.
3. Put on the relay on the rail in switchgear box.
4. Connect power with marks.
5. To joints 11 -12 connect in line system of supply coil of switch ON contractor.
6. By potentiometer set value of activation threshold.

TECHNICAL DATA

supply	3×400/230V +N
current load	<10A
joint	1C/O
sygnalling of supply	3×LED
activation voltage asymmetry	40+80V~
hysteresis	5V~
switching OFF delay	4sec
power consumption	1,6W
working temperature	-25+50°C
connection	screw terminals 2,5mm ²
dimensions	two modules (35mm)
fixing	on rail TH-35



X-ON Electronics

Largest Supplier of Electrical and Electronic Components

Click to view similar products for [General Purpose Relays](#) category:

Click to view products by [F&F](#) manufacturer:

Other Similar products are found below :

[APF30318](#) [JVN1AF-4.5V-F](#) [PCN-105D3MHZ](#) [5JO-10000S-SIL](#) [5JO-1000CD-SIL](#) [5JO-400CD-SIL](#) [LY2S-AC220/240](#) [LYQ20DC12](#)
[6031007G](#) [6131406HQ](#) [6-1393099-3](#) [6-1393099-8](#) [6-1393122-4](#) [6-1393123-2](#) [6-1393767-1](#) [6-1393843-7](#) [6-1415012-1](#) [6-1419102-2](#) [6-](#)
[1423698-4](#) [6-1608051-6](#) [6-1608067-0](#) [6-1616170-6](#) [6-1616248-2](#) [6-1616282-3](#) [6-1616348-2](#) [6-1616350-1](#) [6-1616350-8](#) [6-1616358-7](#) [6-](#)
[1616359-9](#) [6-1616360-9](#) [6-1616931-6](#) [6-1617039-1](#) [6-1617052-1](#) [6-1617090-2](#) [6-1617090-5](#) [6-1617347-5](#) [6-1617353-3](#) [6-1617801-8](#) [6-](#)
[1617802-2](#) [6-1618107-9](#) [6-1618248-4](#) [M83536/1-027M](#) [CX-4014](#) [MAHC-5494](#) [MAVCD-5419-6](#) [703XCX-120A](#) [7-1393100-5](#) [7-1393111-7](#)
[7-1393144-5](#) [7-1393767-8](#)