



ul. Konstytucyjna 79/81  
95-200 Pabianice  
tel/fax 48 42 2270971 POLAND  
e-mail: fif@fif.com.pl

## CZF-BT

### PHASE CONTROL RELAYS

#### three phase monitors



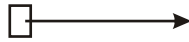
5 19 0 8 3 1 2 1 5 9 2 4 7 1 1

www.fif.com.pl

F&F products are covered by an 24 months warranty from date of purchase

#### PURPOSE

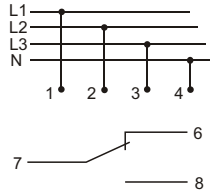
Three phase monitors serve to protect the three-phase electric motors supplied from three-phase mains, against phase collapse in at least one phase or against phase-to-phase voltage asymmetry, threatening to damage the motor.



#### ATTENTION!

Switching joint could to connect LED or bell which will be to brief about of action of relay, i.g. switch OFF the motor.

#### WIRING DIAGRAM



#### FUNCTIONING

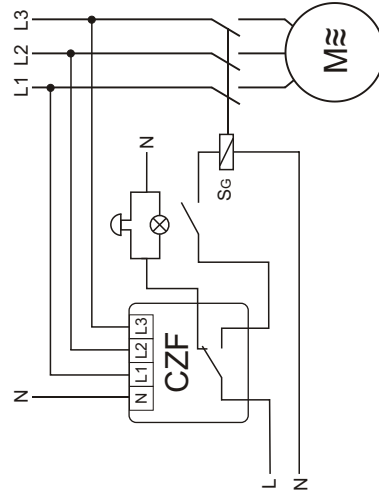
Supplied a receiver is signalized by shine of diode LED in at everyone phase. Phase collapse in at least one phase or voltage unbalance between phases above fixed actuation threshold causes switching-OFF the motor. The motor switching-OFF occurs with delay 4 sec, which prevents any accidental motor disconnecting at temporary voltage drop. The re-connection will occur automatically at voltage increase of 5V above activation voltage (i.e. of value of voltage hysteresis). At occurrence of these disturbances, it is not possible to set a motor in motion.

#### ASSEMBLY

1. Check work of motor.
2. Take OFF the power.
3. Put on the relay on the rail in switchgear box.
4. Connect power with marks.
5. To joints 7-8 connect in line system of supply coil of switch ON contractor.
6. By potentiometer set value of threshold activation and delay time of switch OFF.

#### TECHNICAL DATA

supply	3×400/230V +N
current load	<10A
joint	1C/O
sygnalling of supply	3×LED
activation voltage asymmetry	40÷80V~
hysteresis	5V~
switching OFF delay	0,5÷15sec
power consumption	1,6W
working temperature	-25÷40°C
connection	screw terminals 2,5mm <sup>2</sup>
dimensions	two modules (35mm)
fixing	on rail TH-35



## X-ON Electronics

Largest Supplier of Electrical and Electronic Components

*Click to view similar products for [General Purpose Relays](#) category:*

*Click to view products by [F&F](#) manufacturer:*

Other Similar products are found below :

[APF30318](#) [JVN1AF-4.5V-F](#) [PCN-105D3MHZ](#) [5JO-10000S-SIL](#) [5JO-1000CD-SIL](#) [5JO-400CD-SIL](#) [LY2S-AC220/240](#) [LYQ20DC12](#)  
[6031007G](#) [6131406HQ](#) [6-1393099-8](#) [6-1393122-4](#) [6-1393123-2](#) [6-1393767-1](#) [6-1393843-7](#) [6-1415012-1](#) [6-1419102-2](#) [6-1423698-4](#) [6-](#)  
[1608051-6](#) [6-1608067-0](#) [6-1616170-6](#) [6-1616248-2](#) [6-1616282-3](#) [6-1616348-2](#) [6-1616350-1](#) [6-1616350-8](#) [6-1616358-7](#) [6-1616359-9](#) [6-](#)  
[1616360-9](#) [6-1616931-6](#) [6-1617039-1](#) [6-1617052-1](#) [6-1617090-2](#) [6-1617090-5](#) [6-1617347-5](#) [6-1617353-3](#) [6-1617801-8](#) [6-1618107-9](#) [6-](#)  
[1618248-4](#) [M83536/1-027M](#) [M83725/1-005](#) [CX-4014](#) [MAHC-5494](#) [MAVCD-5419-6](#) [703XCX-120A](#) [7-1393100-5](#) [7-1393111-7](#) [7-](#)  
[1393144-5](#) [7-1393767-8](#) [7-1414968-8](#)