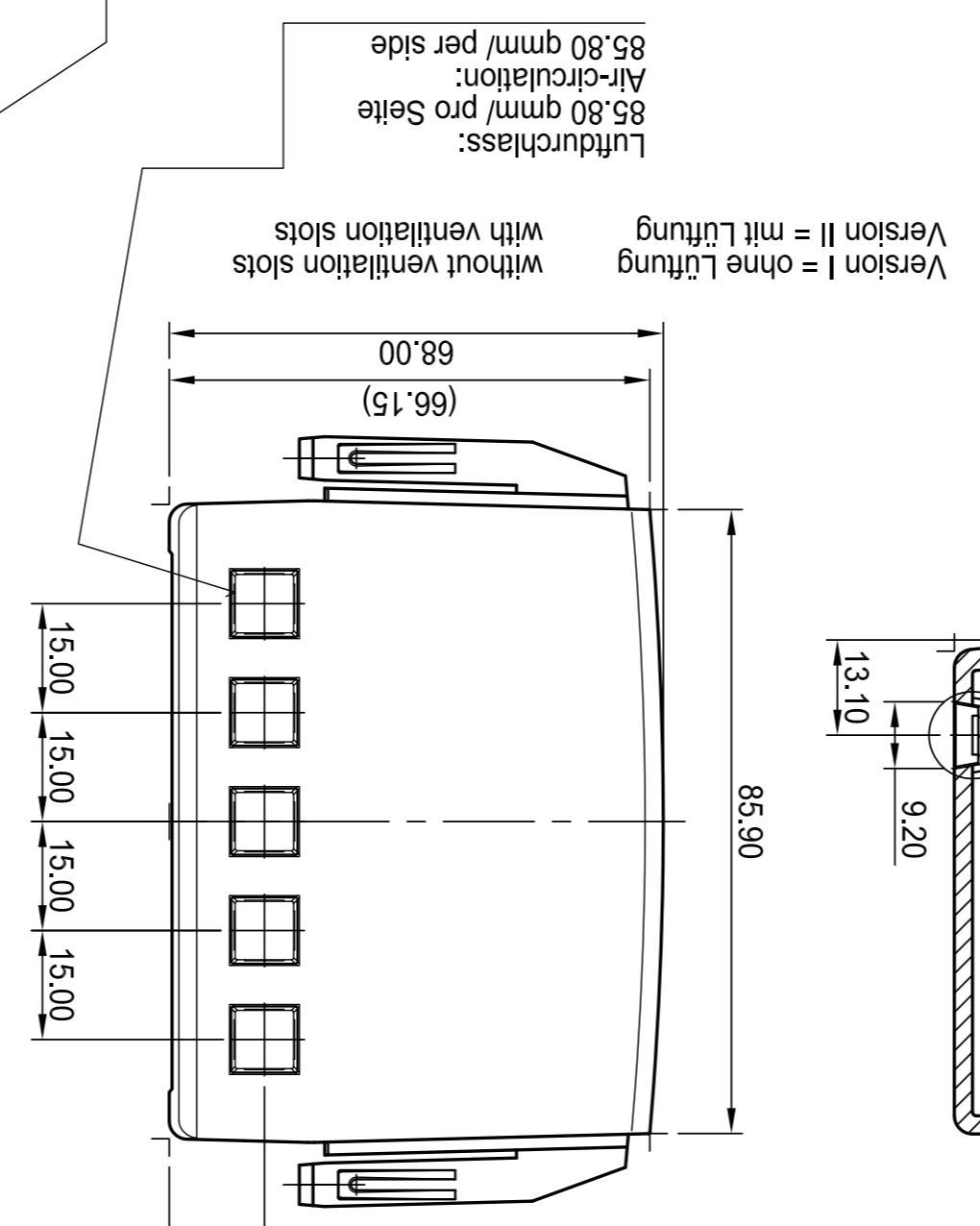
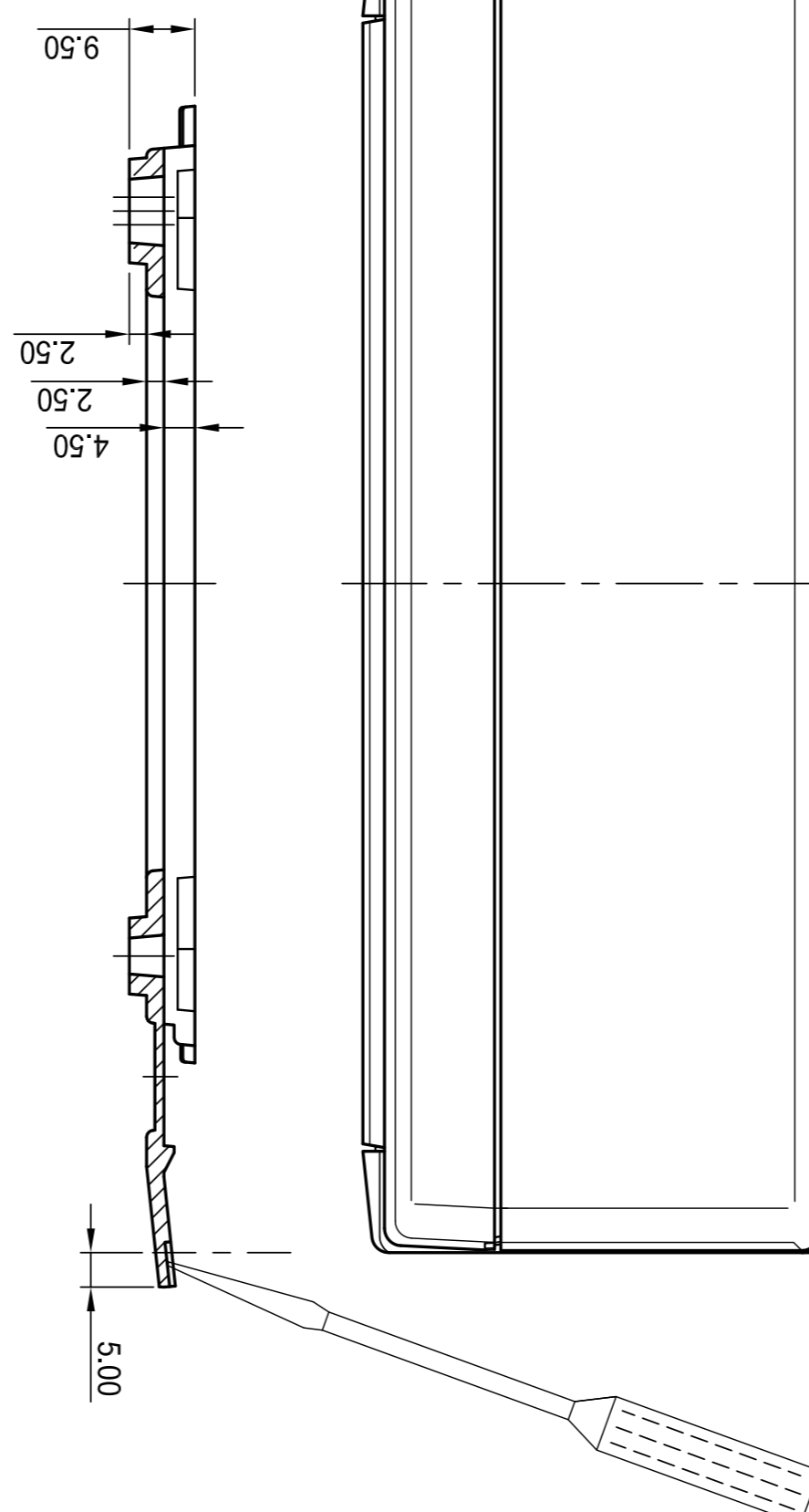


Max. Patlänggröße: Unterteil 187 (mit Lüftung 183) x 104 mm und nur bei ausgeklüppelten Ecken, Oberteil 158 x 106 mm und only with notched edges, upper side 158 x 106 mm, when fixed to them

Demontage
Disassembly

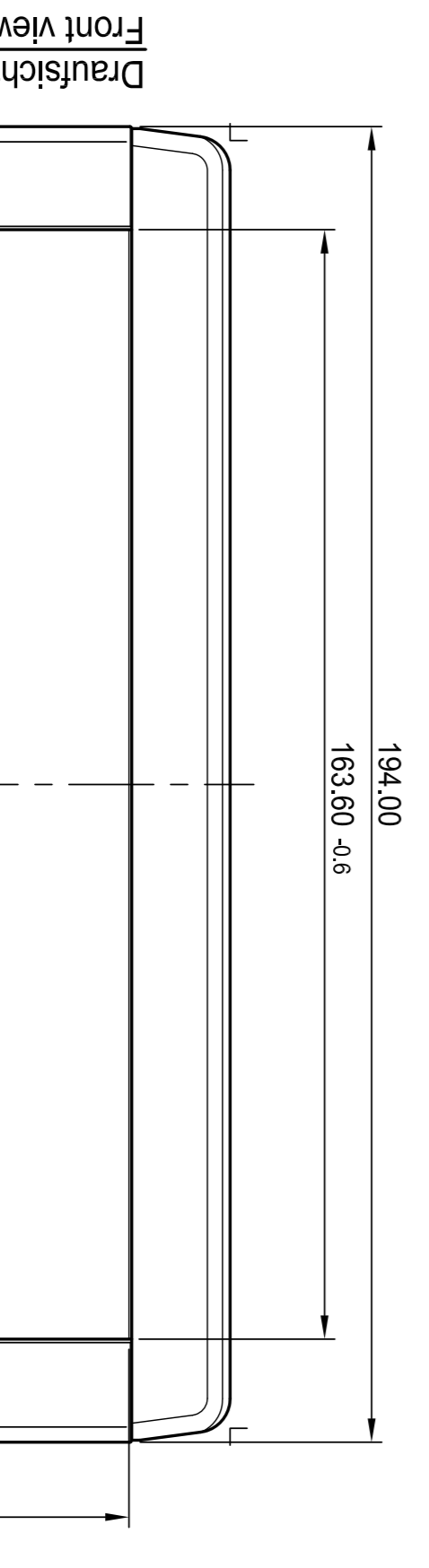
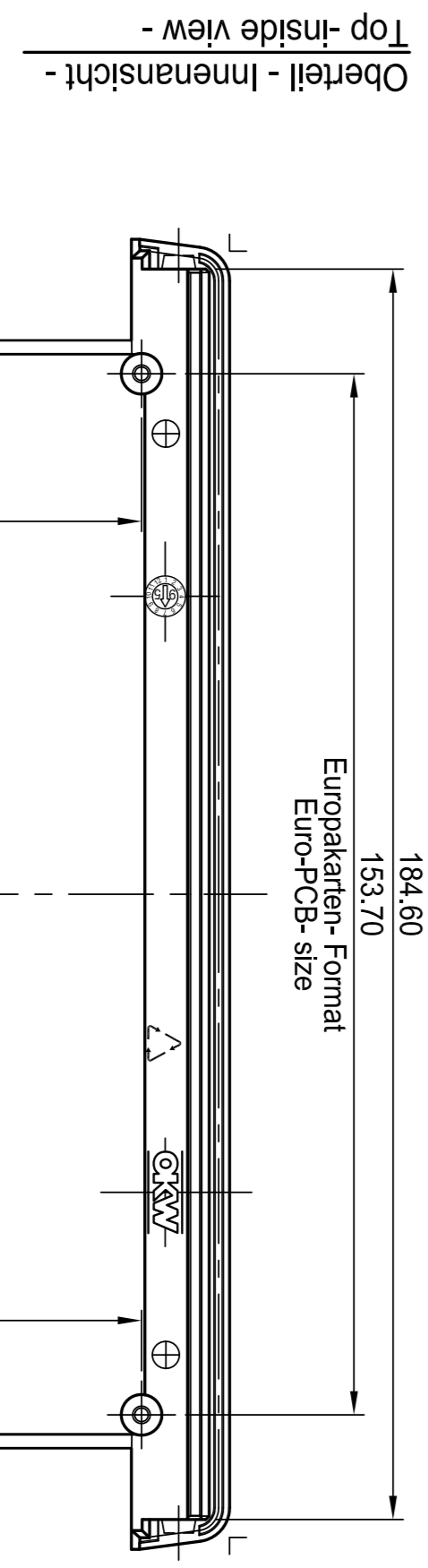
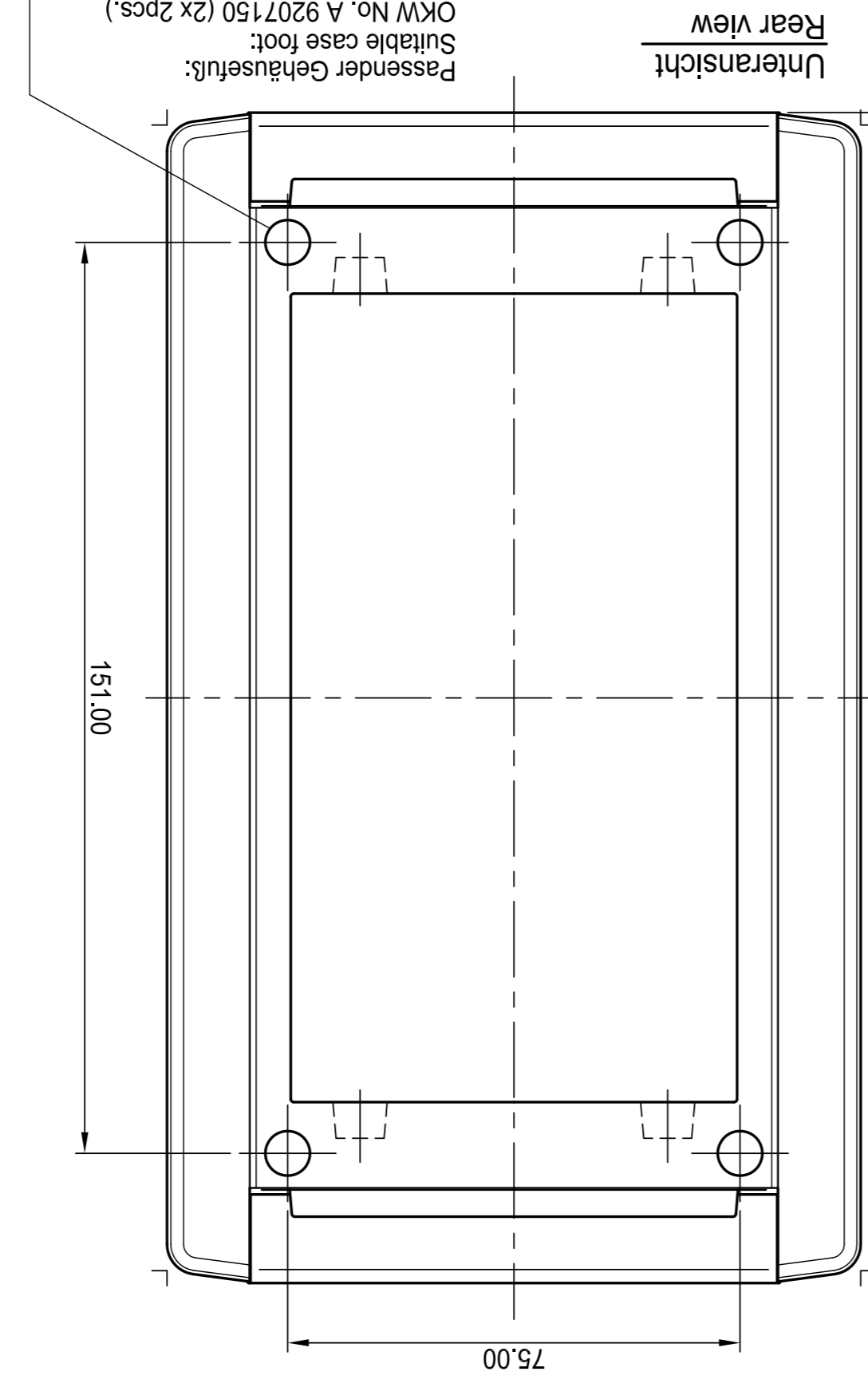
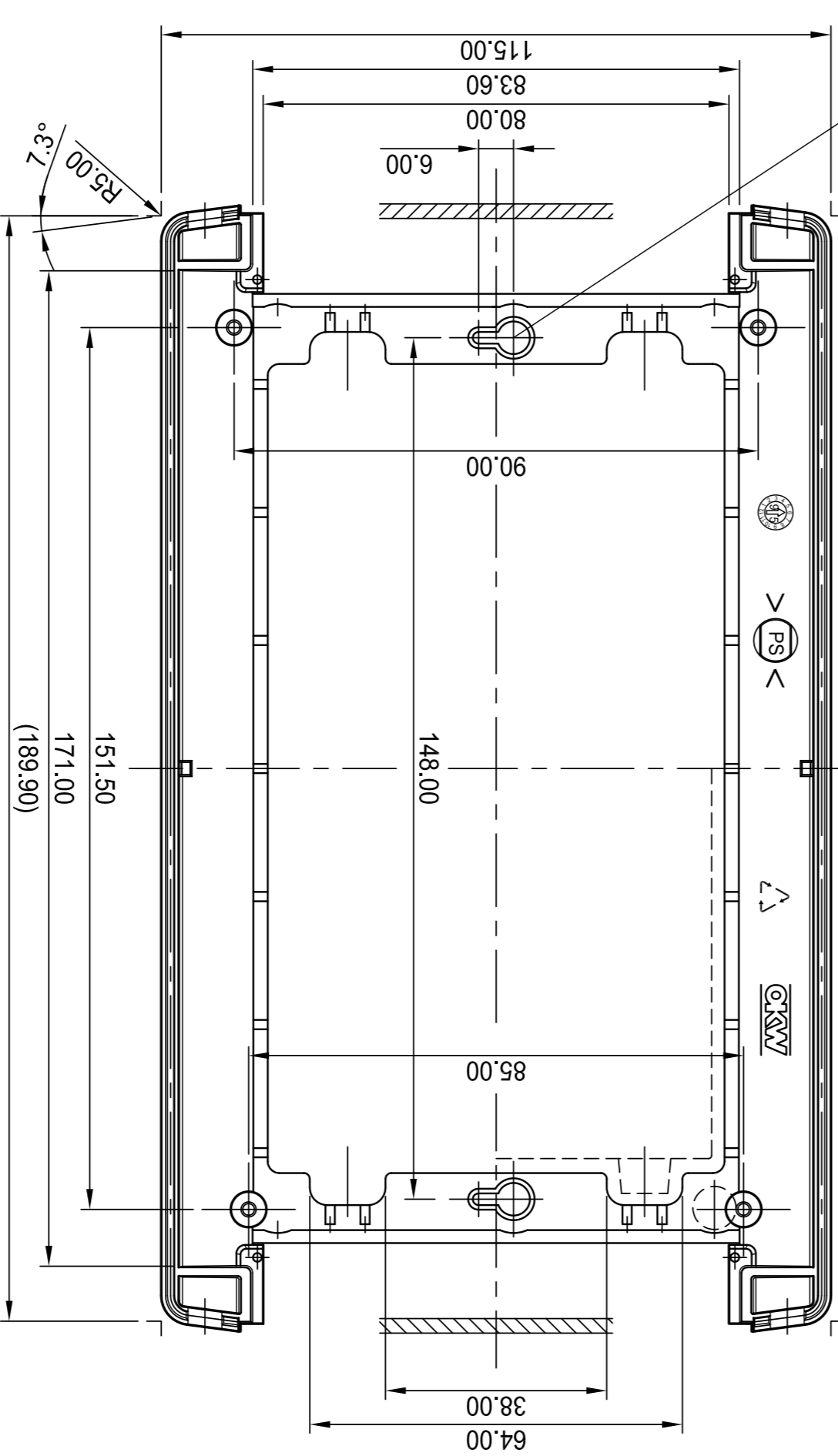


Passende Schrauben: Kopf nach DIN 7971 Suitable screws: Screwhead acc. to DIN 7971



Passende Schrauben: Suitable fixing screws: Kopf-Ø 6,9 max. Schraub-Ø 3,5 max. Head acc. to DIN 7981 Head diameter up to Ø 3,5 mm

Unterteil - Innensicht - Base - inside view -



Informationenkopie
with not be updated
Wird nicht aktualisiert

Information for information
This document contains product information and is intended for informational purposes only. It is not intended to be used as a replacement for the original product. It is subject to technical modification without prior notice. Typographical errors and omissions do not justify any claim for damages. All dimensions should be worked using an angle ruler.

Information for information
This document contains product information and is intended for informational purposes only. It is not intended to be used as a replacement for the original product. It is subject to technical modification without prior notice. Typographical errors and omissions do not justify any claim for damages. All dimensions should be worked using an angle ruler.

Information for information
This document contains product information and is intended for informational purposes only. It is not intended to be used as a replacement for the original product. It is subject to technical modification without prior notice. Typographical errors and omissions do not justify any claim for damages. All dimensions should be worked using an angle ruler.

Information for information
This document contains product information and is intended for informational purposes only. It is not intended to be used as a replacement for the original product. It is subject to technical modification without prior notice. Typographical errors and omissions do not justify any claim for damages. All dimensions should be worked using an angle ruler.

Information for information
This document contains product information and is intended for informational purposes only. It is not intended to be used as a replacement for the original product. It is subject to technical modification without prior notice. Typographical errors and omissions do not justify any claim for damages. All dimensions should be worked using an angle ruler.

Information for information
This document contains product information and is intended for informational purposes only. It is not intended to be used as a replacement for the original product. It is subject to technical modification without prior notice. Typographical errors and omissions do not justify any claim for damages. All dimensions should be worked using an angle ruler.

Information for information
This document contains product information and is intended for informational purposes only. It is not intended to be used as a replacement for the original product. It is subject to technical modification without prior notice. Typographical errors and omissions do not justify any claim for damages. All dimensions should be worked using an angle ruler.

Information for information
This document contains product information and is intended for informational purposes only. It is not intended to be used as a replacement for the original product. It is subject to technical modification without prior notice. Typographical errors and omissions do not justify any claim for damages. All dimensions should be worked using an angle ruler.

Information for information
This document contains product information and is intended for informational purposes only. It is not intended to be used as a replacement for the original product. It is subject to technical modification without prior notice. Typographical errors and omissions do not justify any claim for damages. All dimensions should be worked using an angle ruler.

Titel: OKW	Teil-Nr.: B107028	Rev.: 01
Proj.-Nr.: B1070365/369/465/469	Proj.-Datum: 01.12.1995	Proj.-Status: Freigegeben
Proj.-Name: TOPTEC 194 H	Proj.-Zustand: 1:1	Proj.-Version: 1.1
Proj.-Beschreibung: Gehäuse	Proj.-Zustand: 1:1	Proj.-Version: 1.1
Proj.-Zustand: 1:1	Proj.-Version: 1.1	Proj.-Version: 1.1
Proj.-Zustand: 1:1	Proj.-Version: 1.1	Proj.-Version: 1.1

Titel: OKW	Teil-Nr.: B107028	Rev.: 01
Proj.-Nr.: B1070365/369/465/469	Proj.-Datum: 01.12.1995	Proj.-Status: Freigegeben
Proj.-Name: TOPTEC 194 H	Proj.-Zustand: 1:1	Proj.-Version: 1.1
Proj.-Beschreibung: Gehäuse	Proj.-Zustand: 1:1	Proj.-Version: 1.1
Proj.-Zustand: 1:1	Proj.-Version: 1.1	Proj.-Version: 1.1
Proj.-Zustand: 1:1	Proj.-Version: 1.1	Proj.-Version: 1.1

Titel: OKW	Teil-Nr.: B107028	Rev.: 01
Proj.-Nr.: B1070365/369/465/469	Proj.-Datum: 01.12.1995	Proj.-Status: Freigegeben
Proj.-Name: TOPTEC 194 H	Proj.-Zustand: 1:1	Proj.-Version: 1.1
Proj.-Beschreibung: Gehäuse	Proj.-Zustand: 1:1	Proj.-Version: 1.1
Proj.-Zustand: 1:1	Proj.-Version: 1.1	Proj.-Version: 1.1
Proj.-Zustand: 1:1	Proj.-Version: 1.1	Proj.-Version: 1.1

Titel: OKW	Teil-Nr.: B107028	Rev.: 01
Proj.-Nr.: B1070365/369/465/469	Proj.-Datum: 01.12.1995	Proj.-Status: Freigegeben
Proj.-Name: TOPTEC 194 H	Proj.-Zustand: 1:1	Proj.-Version: 1.1
Proj.-Beschreibung: Gehäuse	Proj.-Zustand: 1:1	Proj.-Version: 1.1
Proj.-Zustand: 1:1	Proj.-Version: 1.1	Proj.-Version: 1.1
Proj.-Zustand: 1:1	Proj.-Version: 1.1	Proj.-Version: 1.1

Titel: OKW	Teil-Nr.: B107028	Rev.: 01
Proj.-Nr.: B1070365/369/465/469	Proj.-Datum: 01.12.1995	Proj.-Status: Freigegeben
Proj.-Name: TOPTEC 194 H	Proj.-Zustand: 1:1	Proj.-Version: 1.1
Proj.-Beschreibung: Gehäuse	Proj.-Zustand: 1:1	Proj.-Version: 1.1
Proj.-Zustand: 1:1	Proj.-Version: 1.1	Proj.-Version: 1.1
Proj.-Zustand: 1:1	Proj.-Version: 1.1	Proj.-Version: 1.1

Titel: OKW	Teil-Nr.: B107028	Rev.: 01
Proj.-Nr.: B1070365/369/465/469	Proj.-Datum: 01.12.1995	Proj.-Status: Freigegeben
Proj.-Name: TOPTEC 194 H	Proj.-Zustand: 1:1	Proj.-Version: 1.1
Proj.-Beschreibung: Gehäuse	Proj.-Zustand: 1:1	Proj.-Version: 1.1
Proj.-Zustand: 1:1	Proj.-Version: 1.1	Proj.-Version: 1.1
Proj.-Zustand: 1:1	Proj.-Version: 1.1	Proj.-Version: 1.1

Titel: OKW	Teil-Nr.: B107028	Rev.: 01
Proj.-Nr.: B1070365/369/465/469	Proj.-Datum: 01.12.1995	Proj.-Status: Freigegeben
Proj.-Name: TOPTEC 194 H	Proj.-Zustand: 1:1	Proj.-Version: 1.1
Proj.-Beschreibung: Gehäuse	Proj.-Zustand: 1:1	Proj.-Version: 1.1
Proj.-Zustand: 1:1	Proj.-Version: 1.1	Proj.-Version: 1.1
Proj.-Zustand: 1:1	Proj.-Version: 1.1	Proj.-Version: 1.1

Titel: OKW	Teil-Nr.: B107028	Rev.: 01
Proj.-Nr.: B1070365/369/465/469	Proj.-Datum: 01.12.1995	Proj.-Status: Freigegeben
Proj.-Name: TOPTEC 194 H	Proj.-Zustand: 1:1	Proj.-Version: 1.1
Proj.-Beschreibung: Gehäuse	Proj.-Zustand: 1:1	Proj.-Version: 1.1
Proj.-Zustand: 1:1	Proj.-Version: 1.1	Proj.-Version: 1.1
Proj.-Zustand: 1:1	Proj.-Version: 1.1	Proj.-Version: 1.1

Titel: OKW	Teil-Nr.: B107028	Rev.: 01
Proj.-Nr.: B1070365/369/465/469	Proj.-Datum: 01.12.1995	Proj.-Status: Freigegeben
Proj.-Name: TOPTEC 194 H	Proj.-Zustand: 1:1	Proj.-Version: 1.1
Proj.-Beschreibung: Gehäuse	Proj.-Zustand: 1:1	Proj.-Version: 1.1
Proj.-Zustand: 1:1	Proj.-Version: 1.1	Proj.-Version: 1.1
Proj.-Zustand: 1:1	Proj.-Version: 1.1	Proj.-Version: 1.1

Titel: OKW	Teil-Nr.: B107028	Rev.: 01
Proj.-Nr.: B1070365/369/465/469	Proj.-Datum: 01.12.1995	Proj.-Status: Freigegeben
Proj.-Name: TOPTEC 194 H	Proj.-Zustand: 1:1	Proj.-Version: 1.1
Proj.-Beschreibung: Gehäuse	Proj.-Zustand: 1:1	Proj.-Version: 1.1
Proj.-Zustand: 1:1	Proj.-Version: 1.1	Proj.-Version: 1.1
Proj.-Zustand: 1:1	Proj.-Version: 1.1	Proj.-Version: 1.1

X-ON Electronics

Largest Supplier of Electrical and Electronic Components

Click to view similar products for [okw enclosures manufacturer](#):

Other Similar products are found below :

[A1020648](#) [A2516060](#) [A2540080](#) [A3216009](#) [A3231005](#) [A4131006](#) [A4131008](#) [A1031649](#) [A3131639](#) [A3220003](#) [A3223007](#) [A3231007](#)
[A4123102](#) [A4123107](#) [A4140100](#) [A4216000](#) [A4231000](#) [A4240008](#) [A4416001](#) [A5040108](#) [A5116000](#) [A9413351](#) [B3218101](#) [B4208208](#)
[B9004028](#) [A9082065](#) [A0224070](#) [M-6PCBK](#) [A1020049](#) [D9072149](#) [D9408441](#) [A1320260](#) [A4123105](#) [A4223000](#) [D9051459](#) [B3214101](#)
[A9180001](#) [A9066119F](#) [D2012121](#) [D2512017](#) [A1020048](#) [A2440068](#) [A6023019](#) [A1422469](#) [A4213008](#) [A7510000](#) [D1040465](#) [D5111807](#)
[D5116057](#) [D9052288](#)