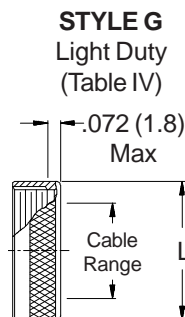
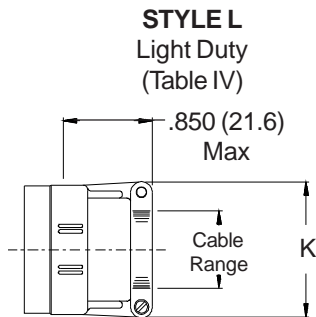
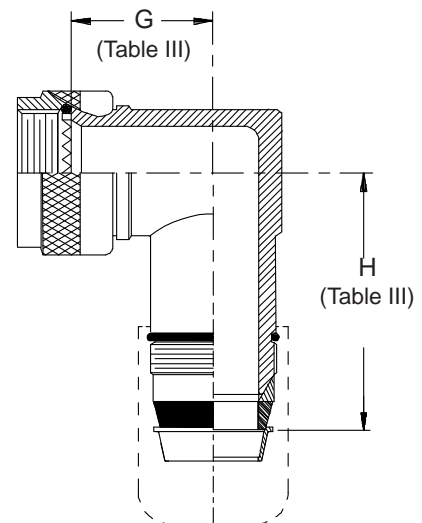
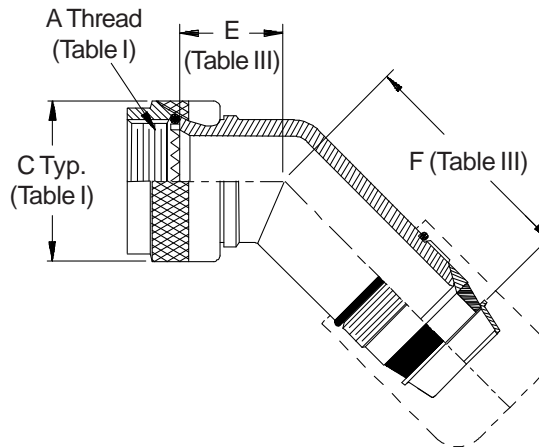
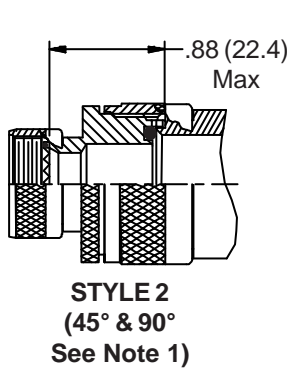
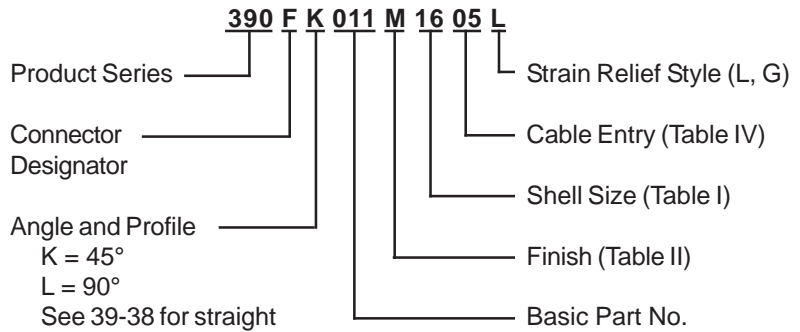


**CONNECTOR
 DESIGNATORS
 A-F-H-L-S
 ROTATABLE
 COUPLING**

**TYPE C OVERALL
 SHIELD TERMINATION**



-445 Now Available with the "NESTOR"

Add "-445" to Specify Glenair's Non-Detent, Spring-Loaded, Self-Locking Coupling. See Page 41 for Details.

See inside back cover fold-out or pages 13 and 14 for Tables I and II.

TABLE III: ELBOW DIMENSIONS									
Shell Size		E		F		G		H	
Conn. Desig.	H	±.062	±(1.6)	±.062	±(1.6)	±.062	±(1.6)	±.062	±(1.6)
A-F-L-S	H								
08	09	.398	(10.1)	2.210	(56.1)	.438	(11.1)	2.080	(52.8)
10	11	.458	(11.6)	2.270	(57.7)	.533	(13.5)	2.120	(53.8)
12	13	.518	(13.2)	2.330	(59.2)	.548	(13.9)	2.090	(53.1)
14	15	.588	(14.9)	2.420	(61.5)	.638	(16.2)	2.090	(53.1)
16	17	.678	(17.2)	2.530	(64.3)	.823	(20.9)	2.130	(54.1)
18	19	.868	(22.0)	2.720	(69.1)	.913	(23.2)	2.250	(57.2)
20	21	.868	(22.0)	2.720	(69.1)	.913	(23.2)	2.180	(55.4)
22	23	.958	(24.3)	2.870	(72.9)	1.063	(27.0)	2.240	(56.9)
24	25	.958	(24.3)	2.870	(72.9)	1.063	(27.0)	2.170	(55.1)
28		1.041	(26.4)	3.020	(76.7)	1.230	(31.2)	2.320	(58.9)
32		1.092	(27.7)	3.270	(83.1)	1.610	(40.9)	2.570	(65.3)
36		1.138	(28.9)	3.500	(88.9)	1.720	(43.7)	2.800	(71.1)

TABLE IV: CABLE ENTRY					
Dash No.	K Max	L Max	Cable Range		
			Min	Max	
01	.781 (19.8)	.593 (15.1)	.062 (1.6)	.125 (3.2)	
02	.968 (24.6)	.718 (18.2)	.125 (3.2)	.250 (6.4)	
03	1.046 (26.6)	.843 (21.4)	.250 (6.4)	.375 (9.5)	
04	1.156 (29.4)	.968 (24.6)	.375 (9.5)	.500 (12.7)	
05	1.218 (30.9)	1.109 (28.2)	.500 (12.7)	.625 (15.9)	
06	1.343 (34.1)	1.218 (30.9)	.625 (15.9)	.750 (19.1)	
07	1.468 (37.3)	1.343 (34.1)	.750 (19.1)	.875 (22.2)	
08	1.593 (40.5)	1.468 (37.3)	.875 (22.2)	1.000 (25.4)	
09	1.718 (43.6)	1.593 (40.5)	1.000 (25.4)	1.125 (28.6)	
10	1.843 (46.8)	1.718 (43.6)	1.125 (28.6)	1.250 (31.8)	

1. When maximum cable entry (page 21) is exceeded, Style 2 will be supplied. Dimensions E, F, G and H will not apply. Please consult factory.
2. Metric dimensions (mm) are indicated in parentheses.
3. Cable range is defined as the accommodations range for the wire bundle or cable. Dimensions shown are not intended for inspection criteria.
4. Consult factory for shorter lengths on straight backshells.
5. Interface O-Ring not supplied with Connector Designator A.
6. -445 modification not available on MIL-DTL-38999 Series II.

X-ON Electronics

Largest Supplier of Electrical and Electronic Components

Click to view similar products for [Circular MIL Spec Backshells](#) category:

Click to view products by [Glenair](#) manufacturer:

Other Similar products are found below :

[5M2919-3DW](#) [5M2920-3CW](#) [5M2953-1HW](#) [60-036152-022](#) [610HS012M15](#) [M28840/504WA](#) [M28840/805WB](#) [M28840/809WA](#)
[M28840/815WA](#) [M28840/816WA](#) [627AS017M14](#) [62GB5851608S](#) [655HS002NF11](#) [CW3703-000](#) [CW3899-000](#) [M85049/10-134S](#)
[M85049/10-17S](#) [M85049/10-33S](#) [M85049/10-94W](#) [M85049/11-09W](#) [M85049/11-28N](#) [M85049/11-37N](#) [M85049/11-53N](#) [M85049/11-63N](#)
[M85049/118-20W](#) [M85049/124-23W](#) [M85049/124S09W](#) [M85049/126S23W](#) [M850491712W02](#) [M85049/1720N04B](#) [M85049/1817N06](#)
[M850491819W03](#) [M85049/1821W05C](#) [M85049/1825W06C](#) [M85049/1919N05](#) [M85049/1919W04](#) [M850491919W07](#) [M85049/23-59W](#)
[M85049/23-74W](#) [M8504924-5W](#) [M85049/24-71N](#) [M85049/25-47N](#) [M85049/25-94W](#) [M85049/27S12N](#) [M8504938-13S](#) [M85049/38-19S](#)
[M85049/39-11S](#) [M85049/39-17S](#) [M85049/39-9S](#) [M85049/3W4A2](#)