

Screw Terminal Type(螺釘型), Standard(標準品)

FEATURES

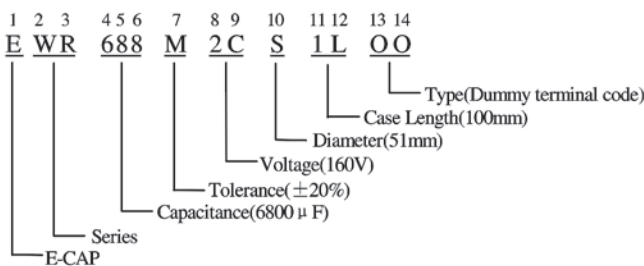
1. Small case size, high rated voltage, capacitance and ripple current, stable and reliable performance, forming complete sets of unclar electric station.
2. Suitable for use in electronic and industrial equipments such as computer, programming control exchanger for power supplies filtering and energy storing.



SPECIFICATIONS

Item	Performance Characteristics	
Operating Temperature Range	-40 to +85°C	-25 to +85°C
Rated Working Voltage Range	10 to 100V	160 to 630V
Nominal Capacitance Range	100 to 680000µF	
Capacitance Tolerance	±20% (120Hz, +20°C)	
Leakage Current	I ≤ 0.02CV (µA) or 5(mA) after 5 minutes application of rated working voltage at +20°C, which is smaller	
tan δ (120Hz, +20°C)	The values shown in the STANDARD RATINGS tables	
Low Temperature Characteristics	Impedance ratio max. at 120Hz	
	Working Voltage (V)	10 ~ 100 160 ~ 630
	Z-25°C / Z+20°C	— 8
	Z-40°C / Z+20°C	15 —
High Temperature Loading	Test conditions	Post test requirements at +20°C
	The follwing specifications shall be satisfied when the capacitors are restored to 20°C after the rated voltage with the rated ripple current applied for 2000 hours at 85°C	Leakage current : ≤ Initial specified value Cap. change : within ±20% of initial measured value tan δ : ≤ 200% of initial specified value
Shelf Life	At 85°C no voltage applied after 1000 hours the capacitors shall meet the following limits Leakage current : ≤ Initial specified value Cap. change : within ±20% of initial measured value tan δ : ≤ 175% of initial specified value	
Others	JIS C - 5101 (IEC 60384)	

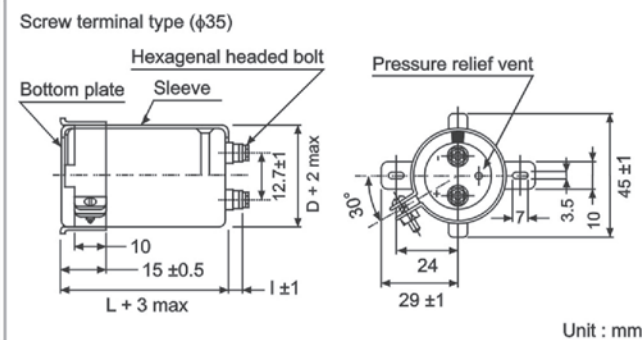
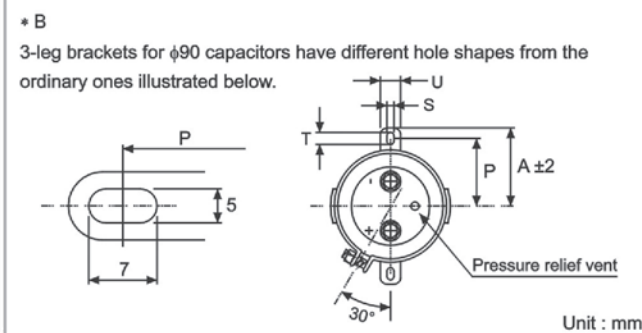
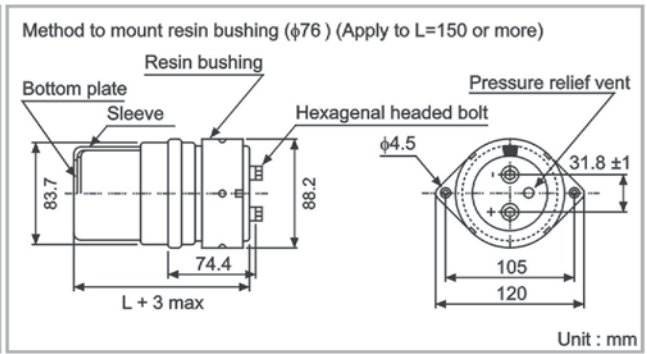
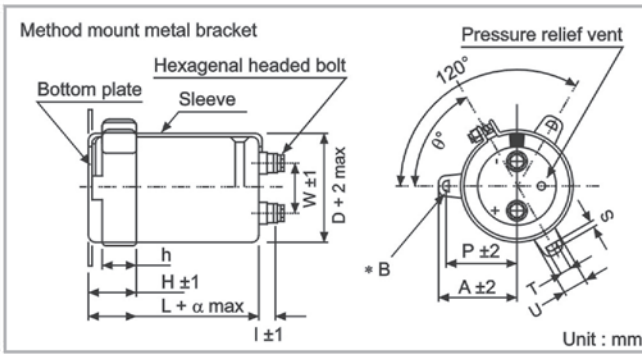
PART NUMBER SYSTEM(EXAMPLE: 160V6800µF)



Large Can Aluminum Electrolytic Capacitors

Screw Terminal Type(螺釘型), Standard(標準品)

CASE SIZE TABLE



Dimension of terminal pitch (w) and (l) and Nominal dia. of bolt

φD	w	l	α	Nominal dia. of bolt
35	12.7	6	3	M5
51	22.0	6	3	M5
63.5	28.6	6	3	M5
76	31.8	6	3	M5
90	31.8	6	3	M5

Dimension of mounting bracket

Voltage (Code)		3 - Leg				2 - Leg				
Symbol	φD	51	63.5	76	90	35	51	63.5	76	90
P		32.5	38.1	44.5	50.8	24	33.2	40.5	46.5	53
A		38.5	43	49.2	58.5	29	40	46.5	53	59
T		7.5	8.0	7.0	8.0	6.0	6.0	7.0	6.0	6.0
S		5.0	5.0	5.0	5.0	3.5	4.5	4.5	4.5	4.5
U		12	14	14	18	10	14	14	14	14
θ°		60	60	60	60	30	30	30	30	30
H		20	25	30	35	15	25	35	35	35
h		15	20	24	25	10	15	20	20	20

RIPPLE CURRENT MULTIPLIER

Frequency Coefficient

Rated Voltage(V)	Size(mm)	Freq.(Hz)	Ripple Current Multiplier					
			50	120	300	1k	10k	50k
10 to 50	φ 35 to φ 90		0.95	1	1.03	1.05	1.09	1.12
	φ 35		0.90	1	1.06	1.10	1.18	1.22
63 to 80	φ 51 to φ 90		0.95	1	1.03	1.05	1.09	1.12
	φ 35		0.82	1	1.12	1.22	1.30	1.33
100	φ 51		0.90	1	1.06	1.10	1.18	1.22
	φ 63.5 to φ 90		0.95	1	1.03	1.05	1.09	1.12
160 to 250	φ 35		0.80	1	1.19	1.34	1.46	1.52
	φ 51 & φ 63.5		0.81	1	1.14	1.26	1.36	1.41
	φ 76 & φ 90		0.82	1	1.12	1.22	1.30	1.33
350 to 630	φ 35 to φ 90		0.80	1	1.10	1.30	1.40	1.50

Screw Terminal Type(螺釘型), Standard(標準品)

STANDARD RATINGS

Voltage (Code)		10V (1A)			16V (1C)			25V (1E)		
SV		13			20			32		
Cap.(μF)	Code	Case Size	tan δ	Ripple Current	Case Size	tan δ	Ripple Current	Case Size	tan δ	Ripple Current
15000	159									
18000	189							35 x 50	0.35	4.0
22000	229									
27000	279				35 x 50	0.45	4.2			
33000	339									
39000	399	35 x 50	0.60	4.7				35 x 80	0.40	6.2
47000	479							35 x 100	0.40	7.4
56000	569				35 x 80	0.60	6.5	35 x 120	0.45	8.3
68000	689									
82000	829	35 x 80	0.60	7.0	35 x 100	0.70	8.0	51 x 80	0.50	9.7
100000	10T	35 x 100	0.70	8.0	35 x 120	0.70	9.6	51 x 100	0.60	10.8
120000	12T	35 x 120	0.70	9.4	51 x 80	0.80	9.6	51 x 120	0.60	12.0
150000	15T	51 x 80	0.90	9.8	51 x 100	0.90	11.2			
180000	18T							63.5 x 100	0.75	14.7
220000	22T	51 x 100	1.00	10.3	51 x 120	1.00	14.2	63.5 x 100	0.80	15.0
270000	27T	51 x 120	1.20	12.8	63.5 x 100	1.20	15.3	76 x 100	0.90	18.3
330000	33T				63.5 x 120	1.30	17.1	76 x 120	1.00	20.7
390000	39T	63.5 x 100	1.50	15.3	76 x 100	1.60	18.0	76 x 140	1.20	22.1
470000	47T	63.5 x 120	2.00	16.0	76 x 100	1.80	19.3			
560000	56T	76 x 120	2.50	17.3	76 x 140	2.00	20.7	90 x 140	1.50	25.8
680000	68T	76 x 120	3.00	18.7						

Maximum Allowable Ripple Current (A rms) at 85°C 120Hz
tan δ at 20°C 120Hz

Case Size φD x L(mm)

Voltage (Code)		35 (1V)			50V (1H)			63V (1J)		
SV		44			63			79		
Cap.(μF)	Code	Case Size	tan δ	Ripple Current	Case Size	tan δ	Ripple Current	Case Size	tan δ	Ripple Current
5600	568							35 x 50	0.20	3.0
6800	688									
8200	828									
10000	109				35 x 50	0.25	3.9	35 x 80	0.25	4.0
12000	129									
15000	159	35 x 50	0.30	3.9				35 x 100	0.25	5.3
18000	189				35 x 80	0.25	5.2	35 x 120	0.25	6.2
22000	229				35 x 100	0.30	5.7	51 x 80	0.30	6.5
27000	279				35 x 120	0.35	6.6			
33000	339	35 x 80	0.40	6.0				51 x 100	0.35	8.1
39000	399	35 x 100	0.40	6.7	51 x 80	0.40	7.4	51 x 120	0.35	9.5
47000	479	35 x 120	0.45	8.0				63.5 x 100	0.40	10.2
56000	569				51 x 100	0.40	9.8			
68000	689	51 x 80	0.50	8.5	51 x 120	0.45	11.1	63.5 x 120	0.45	12.7
82000	829	51 x 100	0.55	10.3	63.5 x 100	0.50	12.2			
100000	10T							76 x 120	0.45	16.7
120000	12T	51 x 120	0.60	12.8	63.5 x 120	0.50	15.0	76 x 140	0.50	19.0
150000	15T	63.5 x 100	0.70	13.2	76 x 120	0.60	18.1	90 x 140	0.55	22.0
180000	18T	63.5 x 120	0.70	15.3	76 x 140	0.70	19.5			
220000	22T	76 x 100	0.75	17.8						
270000	27T	76 x 120	0.80	18.4	90 x 140	0.80	23.2			
330000	33T	76 x 140	0.90	22.0						
390000	39T									
470000	47T	90 x 140	1.00	28.0						

Maximum Allowable Ripple Current (A rms) at 85°C 120Hz
tan δ at 20°C 120Hz

Case Size φD x L(mm)

Specifications are subject to change without notice. Should a safety or technical concern arise regarding the product, please be sure to contact our sales offices or agents immediately.

Screw Terminal Type(螺釘型), Standard(標準品)

STANDARD RATINGS

Voltage (Code)		80 (1K)			100V (2A)			160V (2C)		
SV		100			125			200		
Cap.(μF)	Code	Case Size	tan δ	Ripple Current	Case Size	tan δ	Ripple Current	Case Size	tan δ	Ripple Current
1200	128							35 x 50	0.15	2.0
1500	158									
1800	188									
2200	228				35 x 50	0.10	2.1	35 x 80	0.15	3.4
2700	278							35 x 100	0.15	3.7
3300	338	35 x 50	0.15	2.5				35 x 120	0.15	4.5
3900	398									
4700	478				35 x 80	0.15	3.4	51 x 80	0.20	5.6
5600	568									
6800	688	35 x 80	0.20	3.7	35 x 100	0.15	4.2	51 x 100	0.20	7.5
8200	828				35 x 120	0.15	5.0	51 x 120	0.20	8.1
10000	109	35 x 100	0.20	4.9	51 x 80	0.20	5.2	63.5 x 100	0.20	9.8
12000	129	35 x 120	0.20	5.4				63.5 x 120	0.20	10.8
15000	159	51 x 80	0.25	6.0				76 x 100	0.20	12.7
18000	189				51 x 120	0.20	8.1	76 x 120	0.20	14.0
22000	229	51 x 100	0.30	7.1	63.5 x 100	0.25	8.6	76 x 140	0.20	16.6
27000	279	51 x 120	0.30	8.6	63.5 x 120	0.25	10.3			
33000	339	63.5 x 100	0.35	9.3	76 x 100	0.25	11.1	90 x 140	0.25	18.9
39000	399				76 x 120	0.25	12.4			
47000	479	63.5 x 120	0.35	12.0	76 x 140	0.25	14.3			
56000	569									
68000	689	76 x 120	0.35	15.4	90 x 140	0.30	18.0			
82000	829	76 x 140	0.35	18.1						
100000	10T	90 x 140	0.40	21.0						

Maximum Allowable Ripple Current (A rms) at 85°C 120Hz
tan δ at 20°C 120Hz

Case Size φD x L(mm)

Voltage (Code)		200 (2D)			250V (2E)			350V (2V)		
SV		250			300			400		
Cap.(μF)	Code	Case Size	tan δ	Ripple Current	Case Size	tan δ	Ripple Current	Case Size	tan δ	Ripple Current
390	397							35 x 50	0.25	1.9
470	477									
560	567				35 x 50	0.15	1.3			
680	687							35 x 80	0.25	2.9
820	827	35 x 50	0.15	1.6						
1000	108							35 x 100	0.25	3.8
1200	128				35 x 80	0.15	2.3	35 x 120	0.25	4.2
1500	158				35 x 100	0.15	3.0	51 x 70	0.25	4.5
1800	188	35 x 80	0.15	2.8	35 x 120	0.15	3.3			
2200	228	35 x 100	0.15	3.6	51 x 80	0.15	3.7	51 x 90	0.25	5.8
2700	278	35 x 120	0.15	4.0						
3300	338	51 x 80	0.15	4.5	51 x 100	0.15	5.1	51 x 130	0.25	8.3
3900	398				51 x 120	0.15	5.9	63.5 x 90	0.25	8.0
4700	478	51 x 100	0.15	6.5	63.5 x 100	0.20	6.9	63.5 x 130	0.25	10.9
5600	568	51 x 120	0.15	7.6				76 x 90	0.25	10.3
6800	688				63.5 x 120	0.20	8.7	76 x 110	0.25	11.7
8200	828	63.5 x 100	0.20	9.5				76 x 130	0.25	14.0
10000	109	63.5 x 120	0.20	11.0	76 x 120	0.20	11.1	76 x 150	0.25	15.6
12000	129	76 x 100	0.20	11.5	76 x 140	0.20	13.0	90 x 150	0.25	20.0
15000	159	76 x 120	0.20	12.8	90 x 140	0.20	14.9			
18000	189	76 x 140	0.20	15.0						
22000	229	90 x 140	0.25	15.6						

Maximum Allowable Ripple Current (A rms) at 85°C 120Hz
tan δ at 20°C 120Hz

Case Size φD x L(mm)

Specifications are subject to change without notice. Should a safety or technical concern arise regarding the product, please be sure to contact our sales offices or agents immediately.

Screw Terminal Type(螺釘型), Standard(標準品)

STANDARD RATINGS

Voltage (Code)		400V(2G)			450V (2W)			500V(2H)		
SV		450			500			550		
Cap.(μF)	Code	Case Size	tan δ	Ripple Current	Case Size	tan δ	Ripple Current	Case Size	tan δ	Ripple Current
100	107									
120	127							35 x 50	0.25	0.7
180	187									
270	277				35 x 50	0.25	1.3	35 x 80	0.25	1.2
330	337	35 x 50	0.25	1.5				35 x 100	0.25	1.4
390	397							35 x 120	0.25	1.7
470	477				35 x 80	0.25	2.1	51 x 80	0.25	1.8
560	567	35 x 80	0.25	2.3						
680	687				35 x 100	0.25	2.8	51 x 100	0.25	2.5
820	827	35 x 100	0.25	3.0	35 x 120	0.25	3.1	51 x 110	0.25	2.8
1000	108	35 x 120	0.25	3.4	51 x 70	0.25	3.4	51 x 110	0.25	3.2
1200	128	51 x 70	0.25	3.8	51 x 90	0.25	4.2			
1500	158				51 x 100	0.25	5.0	51 x 120	0.25	4.0
								63.5 x 90	0.25	4.0
1800	188	51 x 90	0.25	5.1	51 x 120	0.25	5.6	63.5 x 110	0.25	4.8
2200	228	51 x 130	0.25	6.4	63.5 x 90	0.25	6.2	63.5 x 130	0.25	5.7
2700	278	63.5 x 90	0.25	6.9	63.5 x 110	0.25	7.4	76 x 110	0.25	6.5
3300	338	63.5 x 110	0.25	8.2	63.5 x 130	0.25	8.7			
					76 x 90	0.25	8.2			
3900	398	63.5 x 130	0.25	9.4	76 x 110	0.25	9.4	76 x 130	0.25	8.4
		76 x 90	0.25	8.9						
4700	478	76 x 110	0.25	10.4	76 x 130	0.25	10.8			
5600	568	76 x 130	0.25	11.9	76 x 150	0.25	12.8			
6800	688	76 x 150	0.25	14.0						
8200	828				90 x 150	0.25	16.5			
10000	109	90 x 150	0.25	18.2						

Maximum Allowable Ripple Current (A rms) at 85°C 120Hz
tan δ at 20°C 120Hz

Case Size φD x L(mm)

Voltage (Code)		550V (25)			600V (26)			630V (2J)		
SV		600			650			680		
Cap.(μF)	Code	Case Size	tan δ	Ripple Current	Case Size	tan δ	Ripple Current	Case Size	tan δ	Ripple Current
100	107	35 x 50	0.25	0.6						
120	127									
180	187	35 x 80	0.25	1.0						
270	277	35 x 100	0.25	1.3						
330	337	35 x 120	0.25	1.6						
390	397	51 x 80	0.25	1.7						
470	477									
560	567	51 x 100	0.25	2.1						
		63.5 x 100	0.25	2.5						
680	687	51 x 120	0.25	2.7						
		63.5 x 120	0.25	3.0						
820	827	51 x 130	0.25	3.1						
		63.5 x 130	0.25	3.5						
1000	108				63.5 x 120	0.30	5.3	63.5 x 130	0.30	5.9
1200	128	76 x 100	0.25	4.2	76 x 100	0.30	6.0	76 x 110	0.30	6.7
1500	158	76 x 100	0.25	4.6	76 x 120	0.30	7.3	76 x 130	0.30	8.1
1800	188	76 x 100	0.25	5.2	76 x 140	0.30	8.6	76 x 150	0.30	9.6
2200	228	76 x 110	0.25	5.9	90 x 120	0.30	9.6	90 x 130	0.30	10.7
2700	278				90 x 140	0.30	11.3	90 x 150	0.30	12.6
3300	338	76 x 140	0.25	8.0	90 x 160	0.30	13.2	90 x 170	0.30	14.7
3900	398				90 x 180	0.30	15.6	90 x 190	0.30	17.3

Maximum Allowable Ripple Current (A rms) at 85°C 120Hz
tan δ at 20°C 120Hz

Case Size φD x L(mm)

Specifications are subject to change without notice. Should a safety or technical concern arise regarding the product, please be sure to contact our sales offices or agents immediately.

WR

Large Can Aluminum Electrolytic Capacitors

X-ON Electronics

Largest Supplier of Electrical and Electronic Components

Click to view similar products for [Aluminium Electrolytic Capacitors - Screw Terminal](#) category:

Click to view products by [Samxon](#) manufacturer:

Other Similar products are found below :

[A331FH221M500A](#) [A331FB472M063A](#) [A331FD153M040A](#) [A331FD682M063A](#) [A331LH223M063A](#) [A331PM682M200A](#)
[36DA332F350CD2A](#) [ETOR401CTH902QEG8N](#) [C1808N680J302T](#) [A331PM472M250A](#) [500X822U450DG1B](#) [A331LH683M025A](#)
[A331LM333M063A](#) [A331TW682M500A](#) [500332U050BB2B](#) [ALS31B1003NX](#) [E32D600LPN133TDA5M](#) [550152M200BC2B](#)
[36DX253G075DC2A](#) [101C282U063AK2A](#) [DB301V-3.5-3P-GN](#) [DB301V-3.5-2P-GN](#) [WR479M1JT1LO5](#) [OBJ35](#) [OBJ35A](#)
[WL338M2WU1AD6](#) [WL 10000U/100V](#) [WL 4700U/200V](#) [B43310A5109M000](#) [B43310C9228M000](#) [B43310A9828M000](#)
[GT1H109M35060SB](#) [GT1H229M35100SB](#) [GT1J229M35120SB](#) [GT2A229M51100SB](#) [GT2W227M35060SB](#) [GT2W228M64120SB](#)
[WR229M1JS80O5](#) [WR188M2WS1MO5](#) [WL158M2WS1AO5](#) [WR478M2WU1PD6](#) [2738](#) [ALS30A151DB500](#) [ALS30A152KF350](#)
[ALS30A682DF100](#) [ALS31A103DE063](#) [ALS40A223DB025](#) [ALS40A223KF063](#) [ALS40A472DF100](#) [ALS40A473DF025](#)