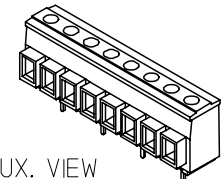
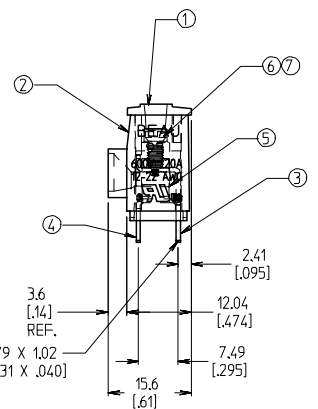
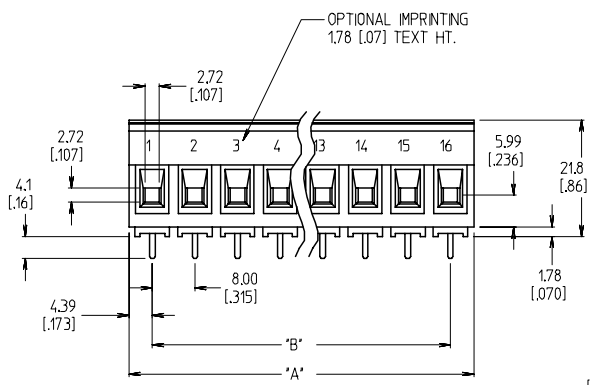
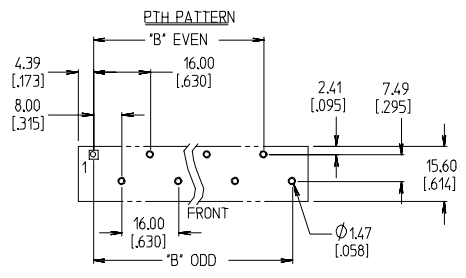
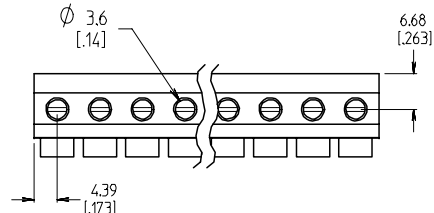


13 12 11 10 9 8 7 6 5 4 3 2 1

| NO. OF CIRCUITS | DIM. "A" | | DIM. "B" | | ASSEMBLY MATERIAL NO. (STANDARD) | ASSEMBLY MATERIAL NO. (-49 OPT) | ASSEMBLY MATERIAL NO. (-10A OPT) | MATERIAL NO. WITH CAGES CLOSED (SEE NOTE 10) | FRONT TERMINAL QTY. | REAR TERMINAL QTY. |
|-----------------|----------|------|----------|-------|----------------------------------|---------------------------------|----------------------------------|--|---------------------|--------------------|
| | mm | in | mm | in | | | | | | |
| 03 | 24.8 | 0.98 | 16.00 | 0.630 | 399500103 | 399540103 | 399520103 | 399590007 | 1 | 2 |
| 04 | 32.8 | 1.29 | 24.00 | 0.945 | 399500104 | 399540104 | 399520104 | | 2 | 2 |
| 05 | 40.8 | 1.61 | 32.00 | 1.260 | 399500105 | 399540105 | 399520105 | | 2 | 3 |
| 06 | 48.8 | 1.92 | 40.00 | 1.575 | 399500106 | 399540106 | 399520106 | | 3 | 3 |
| 07 | 56.8 | 2.24 | 48.00 | 1.890 | 399500107 | 399540107 | 399520107 | | 3 | 4 |
| 08 | 64.8 | 2.55 | 56.00 | 2.205 | 399500108 | 399540108 | 399520108 | | 4 | 4 |
| 09 | 72.8 | 2.87 | 64.00 | 2.520 | 399500109 | 399540109 | 399520109 | | 4 | 5 |
| 10 | 80.8 | 3.18 | 72.00 | 2.835 | 399500110 | 399540110 | 399520110 | | 5 | 5 |
| 11 | 88.8 | 3.50 | 80.00 | 3.150 | 399500111 | 399540111 | 399520111 | | 5 | 6 |
| 12 | 96.8 | 3.81 | 88.00 | 3.465 | 399500112 | 399540112 | 399520112 | | 6 | 6 |
| 13 | 104.8 | 4.13 | 96.00 | 3.780 | 399500113 | 399540113 | 399520113 | | 6 | 7 |
| 14 | 112.8 | 4.44 | 104.00 | 4.094 | 399500114 | 399540114 | 399520114 | | 7 | 7 |
| 15 | 120.8 | 4.76 | 112.00 | 4.409 | 399500115 | 399540115 | 399520115 | | 7 | 8 |
| 16 | 128.8 | 5.07 | 120.00 | 4.724 | 399500116 | 399540116 | 399520116 | | 8 | 8 |



AUX. VIEW SCALE 1:1



NOTES:

1. MATERIAL: SEE TABLE
2. FINISHES: SEE TABLE
3. INCH DMS ARE SHOWN IN BRACKETS [XXX].
4. "XX" REFER TO THE NUMBER OF CIRCUITS.
5. ALL CREEP DISTANCES FOR UL 1059, CLASS C, 600V GENERAL INDUSTRIAL.
6. FOR USE WITH #22-#12 AWG SOLID AND STRANDED WIRES
7. TORQUE RATING IS 5 IN-LB, MAX.
8. PRODUCT PERFORMANCE SPECIFICATION PPS.95.001
9. ASSEMBLY IS ROHS COMPLIANT.
10. THIS ASSEMBLY USES ITEM 6 SCREW AND IS SHIPPED WITH SCREWS DRIVEN DOWN FULLY TO CLOSE THE CAGE CLAMPS.

| ITEM | QTY. | DESCRIPTION | MATERIAL | FINISH |
|------|-----------|-----------------------------|--------------|--------------------|
| 7 | "XX" | SCREW, M3 X 0.5, -49 OPTION | PHOS. BRONZE | TN PLATE |
| 6 | "XX" | SCREW, M3 X 0.5, STD. | STEEL | ZN, CLEAR CHROMATE |
| 5 | "XX" | CAGE CLAMP | BRASS | NICKEL PLATE |
| 4 | SEE CHART | FRONT TERMINAL | RED BRASS | TIN PLATE |
| 3 | SEE CHART | REAR TERMINAL | RED BRASS | TIN PLATE |
| 2 | 1 | BODY | PBT | BLACK |
| 1 | 1 | CAP | PBT | BLACK |

| | |
|--|--------------------------|
| ADD MATERIAL NO. EC NO: ETC2007-0218 DRW: NCLYORK 2006/12/01 CHKD: IMACNEIL 2006/12/04 APPR: IMACNEIL 2006/12/06 | QUALITY SYMBOLS |
| | $\nabla=0$ $\nabla=0$ |
| | DESCRIPTION |
| | REV |

| GENERAL TOLERANCES (UNLESS SPECIFIED) | |
|---------------------------------------|---------|
| | mm INCH |
| 4 PLACES ± .005 | ± .0005 |
| 3 PLACES ± .010 | ± .0010 |
| 2 PLACES ± 0.13 | ± .0130 |
| 1 PLACE ± 0.3 | ± .0300 |
| ANGULAR ± 2 ° | |

| DIMENSION STYLE | |
|-----------------|------------|
| MM/IN | |
| DRAWN BY | DATE |
| GHR | 1998/10/30 |
| CHECKED BY | DATE |
| K. ATKINS | 1998/11/02 |
| APPROVED BY | DATE |
| L. ROTHHAUS | 1998/11/02 |
| MATERIAL NO. | |
| SEE CHART | |

| | | |
|---|-------------------|------------------------|
| SCALE 3:2 | DESIGN UNITS INCH | THIRD ANGLE PROJECTION |
| 8.00MM SR BTS, PKCT, #12 AWG ASY, 600V, 20A | | |
| MOLEX INCORPORATED | | |
| DOCUMENT NO. SD-39950-001 | SHEET NO. 1 OF 1 | |
| THIS DRAWING CONTAINS INFORMATION THAT IS PROPRIETARY TO MOLEX INCORPORATED AND SHOULD NOT BE USED WITHOUT WRITTEN PERMISSION | | |

X-ON Electronics

Largest Supplier of Electrical and Electronic Components

Click to view similar products for [Terminal Block Tools & Accessories](#) category:

Click to view products by [Molex](#) manufacturer:

Other Similar products are found below :

[1029563](#) [00171430102](#) [00171420102](#) [014415](#) [CSTSPC1-2](#) [9-1437653-4](#) [928358-1](#) [QC209/J](#) [HCL10-6](#) [1437403-6](#) [1437403-9](#) [1437403-8](#)
[147832-1](#) [EC0037-000](#) [MT2/H--](#) [MT2/H-32](#) [MT6/H-N](#) [MT6/V-GRND](#) [MT8/H-101-110](#) [BB2-09BF](#) [EP2.5/4UN/BG](#) [1707755](#) [1735590](#)
[1755480](#) [1760336](#) [BO3-02](#) [1789281](#) [1840227](#) [1840230](#) [1893164](#) [2-1437402-1](#) [2-1437644-9](#) [JB2-09/J](#) [2202307](#) [2302463](#) [2305949](#) [2310581](#)
[8TK2-24](#) [91.201.1](#) [L2U2](#) [2778.0](#) [2890137](#) [2901107](#) [2901123](#) [2901699](#) [2MP/J](#) [2MV-06](#) [1705126](#) [1756294](#) [F03-25](#)