

MICRO SWITCH
a Honeywell Division

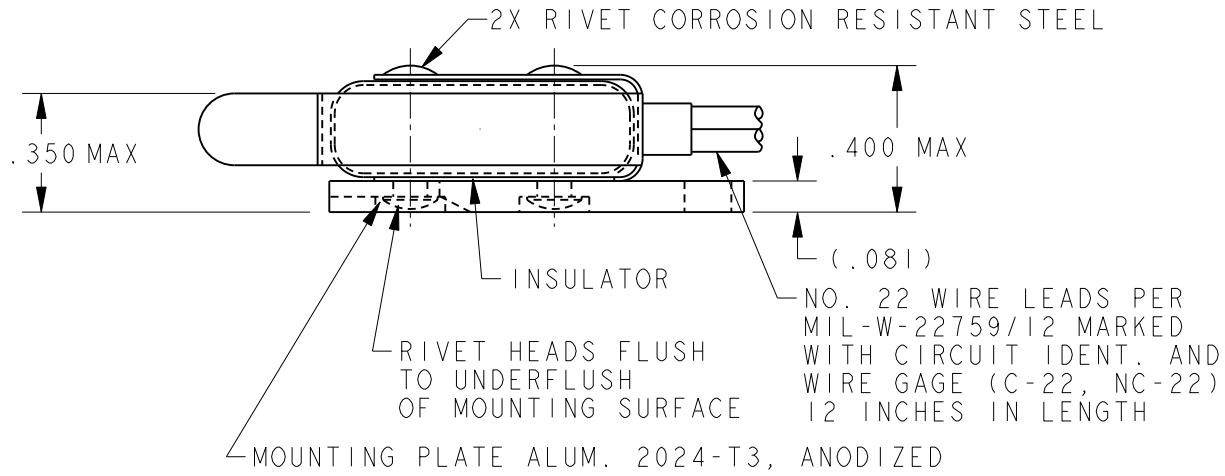
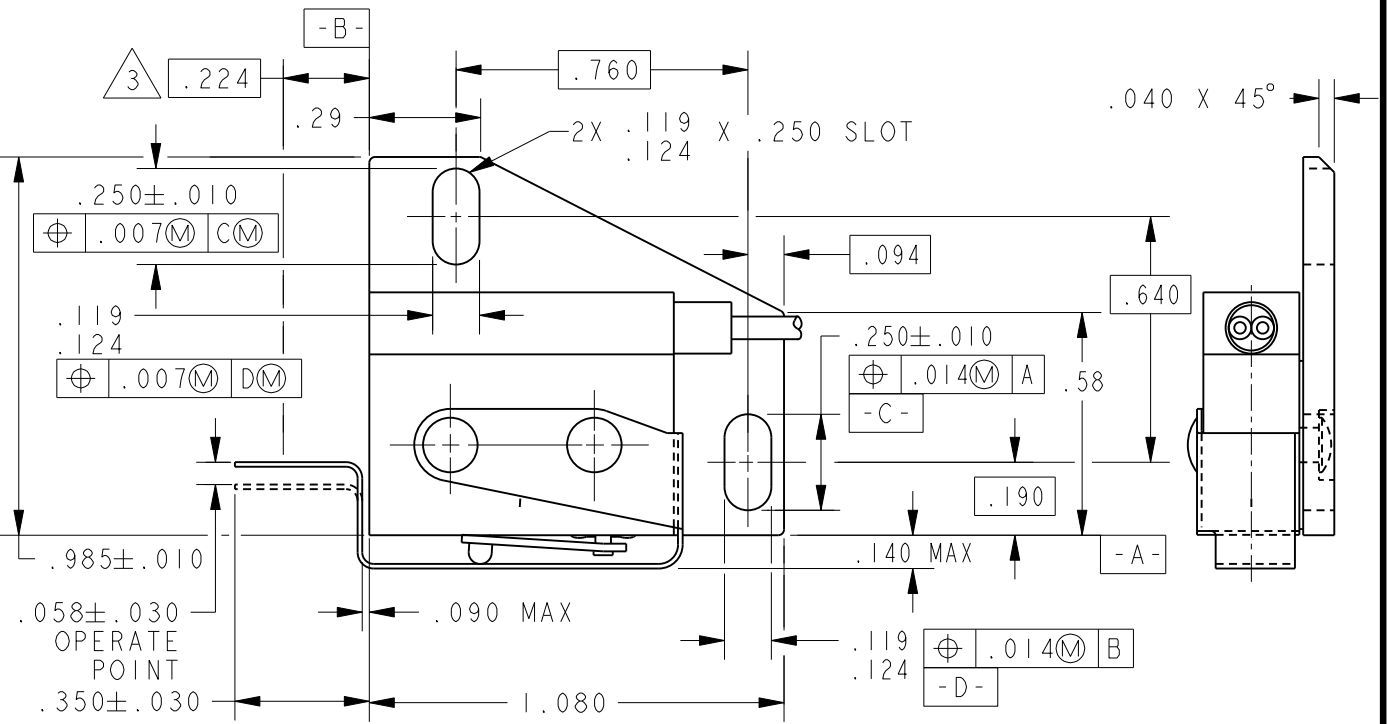
FED. MFG. CODE 91929

SWITCH - BASIC

CATALOG LISTING

39HM1

39HM1
 CATALOG LISTING
 PAGE 1 OF 1
 RELEASE NO. PR-16849
 REPLACES
 ISSUE 6
 REVISIONS
 A 200109 WJC 13 MAR 00
 B 0044639 MBH 16 OCT 08
 RS
 CHECK 13 MAR 00
 SAV
 CHECK 13 MAR 00
 WJC
 DRAWN PTC/CAD 2D



- NOTES
- 1 - FOR USE IN TEMPERATURE RANGE -85°F TO $+400^{\circ}\text{F}$ CONTINUOUS, -85°F TO $+500^{\circ}\text{F}$ INTERMITTENTLY
 - 2 - SWITCH IS HERMETICALLY SEALED PER ENCLOSURE DESIGN SYMBOL 5 MIL-PRF-8805/8
 - 3 - SWITCH CHARACTERISTICS TO BE MEASURED AT THIS POINT

ANSI Y14.5M-1982 APPLIES

THIS DRAWING COVERS A PROPRIETARY ITEM AND IS THE PROPERTY OF MICRO SWITCH, A DIVISION OF HONEYWELL. THIS DRAWING IS NOT TO BE COPIED OR USED WITHOUT THE APPROVAL OF MICRO SWITCH.

THIRD ANGLE PROJECTION

CHARACTERISTICS 3	ELECTRICAL DATA			SCALE 2 : 1	DO NOT SCALE PRINT
OPERATING FORCE ----- 6 OZ MAX	CONTACT ARRANGEMENT S P N C			UNLESS OTHERWISE SPECIFIED TOLERANCES ARE	
RELEASE FORCE ----- 1 OZ MIN	LINE VOLTAGE	INDUCTIVE LOAD	RESISTIVE LOAD	ONE PLACE (.0)	± .030
DIFFERENTIAL TRAVEL ----- .025 MAX	28 VDC	1 AMP	3 AMP	TWO PLACE (.00)	± .015
OVERTRAVEL ----- .050 MAX	115 VAC (400 CYCLE)	1 AMP	1 AMP	THREE PLACE (.000)	± .005
				ANGLES	±
				WEIGHT	

X-ON Electronics

Largest Supplier of Electrical and Electronic Components

Click to view similar products for [Basic / Snap Action Switches](#) category:

Click to view products by [Honeywell](#) manufacturer:

Other Similar products are found below :

[83228001](#) [01.098.1358.1](#) [602EN1-6B](#) [602EN532](#) [602EN535-RB](#) [602HE5-RB1](#) [604HE162](#) [604HE223-6B](#) [624HE17-RB](#) [6HM89](#) [6PA78-JM](#)
[6SE1](#) [6SX1-H58](#) [70500840](#) [MBD5B1](#) [MBH2731](#) [73-316-0012](#) [79211759](#) [79211923](#) [79218589](#) [7AS12](#) [ML-1155](#) [ML-1376](#) [831010C3.0](#)
[831060C3.TL](#) [831090C2.EL](#) [83131904](#) [84212012](#) [8AS239](#) [8HM73-3](#) [903VB1-PG](#) [914CE1-6G](#) [PL-100](#) [11SM1077-H4](#) [11SM1077-H58](#)
[11SM1-TN107](#) [11SM405](#) [11SM703-T](#) [11SM8423-H2](#) [11SX37-T](#) [11SX48-H58](#) [11SX55-H58](#) [11SM2442-T](#) [11SM76-T](#) [11SM77-H58](#)
[11SM77-T](#) [11SM863-T](#) [11SM866](#) [11SX47-H58](#) [A7CN-1M-1-LEFT](#)