

MICRO SWITCH
a Honeywell Division

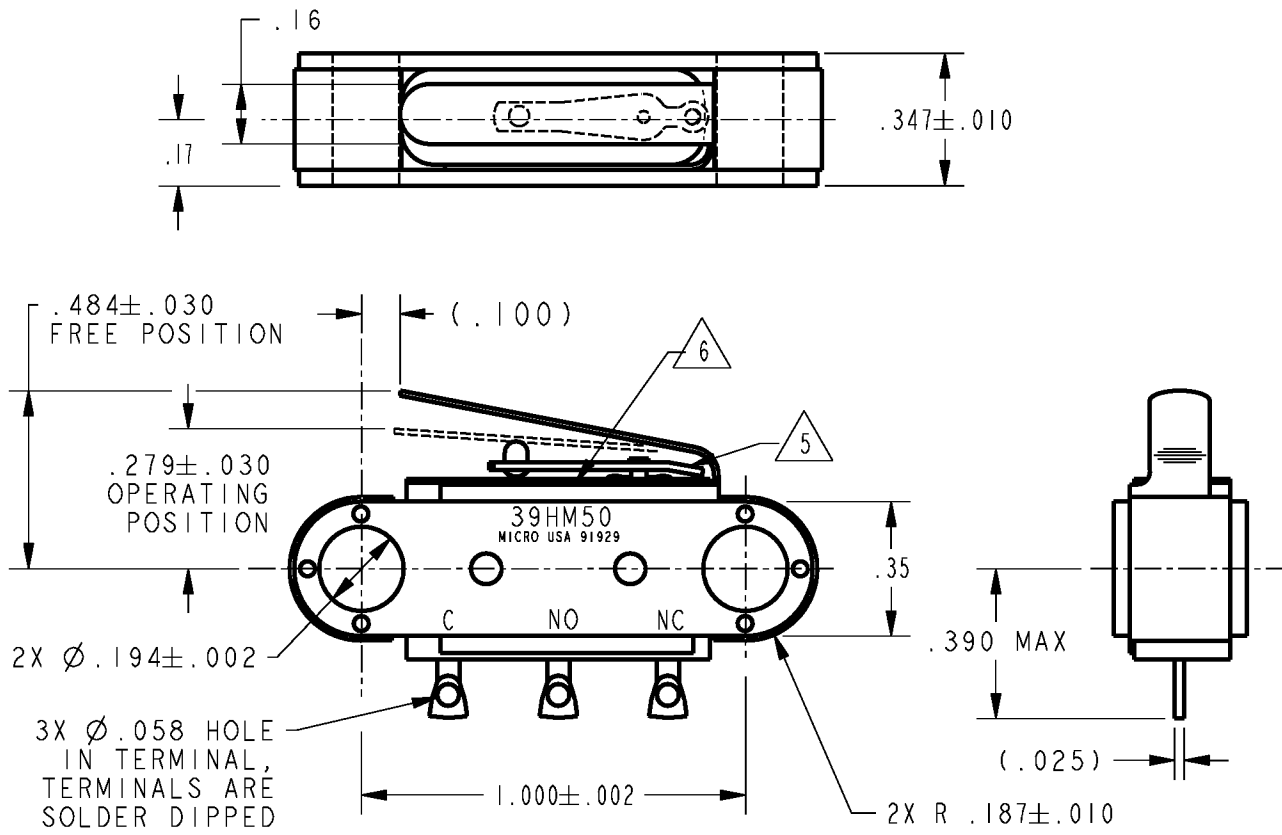
FED. MFG. CODE 91929

SWITCH - BASIC

CATALOG LISTING

39HM50

39HM50
 CATALOG LISTING
 PAGE 1 OF 1
 RELEASE NO. PR-23830
 REPLACES X110110-HM
 ISSUE 2
 CHECK
 REVISIONS
 A C095939
 TSM
 13 JAN 00
 CHECK
 05MAY99
 JAF
 CHECK
 05MAY99
 GRT
 DRAWN
 PTC/CAD 2D



- NOTES
- 1 - MOUNTING HOLES WILL ACCEPT PINS OR SCREWS OF $\phi 190$ ON $1.000 \pm .002$ CENTERS
 - 2 - FOR USE IN TEMPERATURE RANGE -85° TO $+500^{\circ}$ F CONTINUOUS
 - 3 - ALL EXPOSED PARTS ARE OF CORROSION RESISTANT MATERIALS
 - 4 - CONTAINS 19HMI TYPE HIGH TEMPERATURE BASIC (GOLD CONTACTS)
 - 5 ADJUSTMENT CAUTION: DO NOT ALLOW ACTUATOR LEAF TO COME IN CONTACT WITH HM LEVER TO PREVENT SWITCH SEAL DAMAGE
 - 6 SWITCH MARKED WITH CATALOG LISTING, MICRO USA, DATE CODE, AND CIRCUITRY

ANSI Y14.5M-1982 APPLIES

THIS DRAWING COVERS A PROPRIETARY ITEM AND IS THE PROPERTY OF MICRO SWITCH, A DIVISION OF HONEYWELL. THIS DRAWING IS NOT TO BE COPIED OR USED WITHOUT THE APPROVAL OF MICRO SWITCH.

THIRD ANGLE PROJECTION

CHARACTERISTICS	ELECTRICAL DATA			SCALE 2 : 1	DO NOT SCALE PRINT
	CONTACT ARRANGEMENT S P D T				
OPERATING FORCE ----- 9 OZ MAX	LINE VOLTAGE	INDUCTIVE LOAD	RESISTIVE LOAD	UNLESS OTHERWISE SPECIFIED TOLERANCES ARE	
RELEASE FORCE ----- 2 OZ MIN				ONE PLACE (.0) $\pm .030$	
DIFFERENTIAL TRAVEL ----- .018 MAX	28 VDC	250 MA	500 MA	TWO PLACE (.00) $\pm .015$	
OVERTRAVEL ----- .008 MIN				THREE PLACE (.000) $\pm .005$	
				ANGLES	\pm
				WEIGHT	2.5 OZ MAX

X-ON Electronics

Largest Supplier of Electrical and Electronic Components

Click to view similar products for [Basic / Snap Action Switches](#) category:

Click to view products by [Honeywell](#) manufacturer:

Other Similar products are found below :

[83228001](#) [01.098.1358.1](#) [602EN1-6B](#) [602EN532](#) [602EN535-RB](#) [602HE5-RB1](#) [604HE162](#) [604HE223-6B](#) [624HE17-RB](#) [6HM89](#) [6PA78-JM](#)
[6SE1](#) [6SX1-H58](#) [70500840](#) [MBD5B1](#) [MBH2731](#) [73-316-0012](#) [79211759](#) [79211923](#) [79218589](#) [7AS12](#) [ML-1155](#) [ML-1376](#) [831010C3.0](#)
[831060C3.TL](#) [831090C2.EL](#) [83131904](#) [84212012](#) [8AS239](#) [8HM73-3](#) [903VB1-PG](#) [914CE1-6G](#) [PL-100](#) [11SM1077-H4](#) [11SM1077-H58](#)
[11SM1-TN107](#) [11SM405](#) [11SM703-T](#) [11SM8423-H2](#) [11SX37-T](#) [11SX48-H58](#) [11SX55-H58](#) [11SM2442-T](#) [11SM76-T](#) [11SM77-H58](#)
[11SM77-T](#) [11SM863-T](#) [11SM866](#) [11SX47-H58](#) [A7CN-1M-1-LEFT](#)