

## Detecting Devices



	<b>Price Groups</b> PG 102, 121		
9/2	<b>Introduction</b>		
	<b>3SE5, 3SE2 Position Switches</b>		<b>3SF1 AS-Interface Position Switches</b>
9/4	General data	9/82	General data
9/13	3SE5, molded-plastic enclosures - Enclosure width 31 mm according to EN 50047	9/84	Molded-plastic enclosures
9/17	- Enclosure width 40 mm according to EN 50041 <b>new</b>	9/86	Metal enclosures <u>With Separate Actuator</u>
9/21	- Enclosure width 50 mm	9/90	General data
9/25	- Ambient temperature up to -40 °C	9/91	Molded-plastic enclosures
9/27	3SE5, metal enclosures - Enclosure width 31 mm according to EN 50047 <b>new</b>	9/92	Metal enclosures
9/31	- Enclosure width 40 mm according to EN 50041	9/93	Accessories <u>With Interlocking</u>
9/35	- Enclosure width 56 mm	9/94	General data
9/39	- Enclosure width 56 mm, XL <b>new</b>	9/95	Molded-plastic enclosures
9/42	- Ambient temperature up to -40 °C	9/96	Metal enclosures <u>Hinge switches</u>
9/44	- Compact design <b>new</b>	9/97	Molded-plastic enclosures
9/46	3SE5, open-type design	9/98	Metal enclosures
9/47	Accessories and spare parts <u>With Separate Actuator</u>		<b>3SE6 Magnetically Operated Switches</b>
9/50	General data	9/99	Magnetic monitoring systems
9/55	3SE5, molded-plastic enclosures		<b>More technical information</b>
9/57	3SE5, metal enclosures		can be found at
9/59	Accessories		<a href="http://www.siemens.com/industrial-controls/support">www.siemens.com/industrial-controls/support</a>
9/60	3SE2, molded-plastic enclosures <u>With Interlocking</u>		under Product List:
9/61	General data		- Technical specifications
9/65	3SE5, molded-plastic enclosures		under Entry List:
9/66	3SE5, metal enclosures		- Updates
9/67	Accessories <u>Hinge switches</u>		- Downloads
9/68	General data		- FAQ
9/70	3SE5, molded-plastic enclosures		- Manuals
9/71	3SE5, metal enclosures		- Characteristics
9/72	3SE2, molded-plastic enclosures <u>For Explosion Protection (ATEX)</u>		- Certificates
9/74	3SE5, metal enclosures		and at
			<a href="http://www.siemens.com/industrial-controls/configurators">www.siemens.com/industrial-controls/configurators</a>
			- Configurators

# Switching Devices



**3SE5 23.,  
3SE5 21.,  
3SF1 2.4**

**3SE5 24.,  
3SF1 244**

**3SE5 13.,  
3SE5 11.,  
3SF1 114**

**3SE5 12.,  
3SF1 124**

**3SE5 16.**

**3SE5 232,  
3SE5 212,  
3SF1 2.4**

**3SE5 132,  
3SE5 112,  
3SF1 1.4**

	Position switches, standard					Hinge switches	
H x D) in mm	✓ 31 × 68 × 33	✓ 50 × 53 × 33	✓ 40 × 78 × 38	-- 56 × 78 × 38	-- 56 × 100 × 38	✓ 31 × 68 × 33	✓ 40 × 78 × 38
Protection	IP65, IP66/IP67	IP66/IP67	IP66/IP67	IP66/IP67	IP66/IP67	IP65, IP66/IP67	IP66/IP67
Mounting and operating points acc. to EN 50047	Operating points acc. to EN 50047	Operating points acc. to EN 50047	Mounting and operating points acc. to EN 50041	Operating points acc. to EN 50041	Operating points acc. to EN 50047	Mounting and operating points acc. to EN 50047	Mounting and operating points acc. to EN 50041
CE, UL, CSA, CCC	CE, UL, CSA, CCC			CE, UL, CSA, CCC			
Contacts	1 NO + 1 NC, 2 NC		1 NO + 1 NC, 2 NC		--	1 NO + 1 NC	
Contacts	1 NO + 1 NC		1 NO + 1 NC		--	1 NO + 1 NC	
Contact gap	1 NO + 1 NC		✓		--	✓	
Contacts	1 NO + 2 NC, 2 NO + 1 NC		1 NO + 2 NC, 2 NO + 1 NC		--	1 NO + 2 NC	
Pre-break	1 NO + 2 NC		1 NO + 2 NC		--	1 NO + 2 NC	
Contacts	1 NO + 2 NC		1 NO + 2 NC		--	1 NO + 2 NC	
Contacts)	--		--		✓	--	
Shielding	✓		✓		--	✓	
Shock protection	✓		✓		✓	✓	
ATEX (ATEX)	--		✓		✓	✓	
Rated	✓		✓		--	✓	
Specifications	400 V		400 V		400 V		
Rated current $I_{the}$	6 A/10 A (3-/2-pole)		6 A/10 A (3-/2-pole)		6 A/10 A (3-/2-pole)		
Socket, 4-, 5- or	✓ 1 × M20 × 1.5	✓ 2 × M20 × 1.5	✓ 1 × M20 × 1.5	✓ 3 × M20 × 1.5	✓ 1 × M20 × 1.5	✓ 1 × M20 × 1.5	✓ 1 × M20 × 1.5
Socket, 6-pole + PE	--	--	✓	✓	--	--	--

# Detecting Devices

## Introduction



**3SE5 413,  
3SE5 423**



**3SE5 250**



**3SE5 232,  
3SE5 242,  
3SF1 2.4**



**3SE5 112,  
3SE5 122,  
3SF1 1.4**



**3SE5 322,  
3SE5 312,  
3SF1 3.4**



**3SE6**

	Compact design	Open-type	Position switches with separate actuator		Position switches with interlocking	Magnetically operated switches
H x D) in mm	-- ✓ 30 x .. x .., 40 x .. x ..	✓ 30 x 48,5 x 20	✓ 31 x 68 x 33, 50 x 53 x 33	✓ 40 x 78 x 38, 56 x 78 x 38	✓ 54 x 185 x 44	✓ -- M30 x 44, 19 x 33 x 13, 25 x 88 x 13
Protection	IP66/IP67	IP10 or IP20	IP65, IP66/IP67	IP66/IP67	IP66/IP67	IP67
Mounting	--	Mounting and operating points acc. to EN 50047	Mounting acc. to EN 50047	Mounting acc. to EN 50041	EN 1088	Category 3 or 4 acc. to ISO 13849-1 (EN 954-1)
Compliance	CE, UL, CSA	--	CE, TÜV, UL, CSA, CCC		CE, TÜV, UL, CSA, CCC	CE, TÜV, UL, CSA
Contacts	--	1 NO + 1 NC	1 NO + 1 NC		--	--
Contacts	1 NO + 1 NC	1 NO + 1 NC	--		--	--
Contact gap	--	✓	--		--	--
Contacts	--	1 NO + 2 NC	1 NO + 2 NC		--	--
Pre-break	--	1 NO + 2 NC	--		--	--
Contacts	--	1 NO + 2 NC	--		--	--
Contacts	--	--	--		2 x (1 NO + 2 NC)	--
Contacts	--	--	--		--	1 NO + 1 NC or 2 NC
Delay	--	--	✓		✓	--
Position protection	--	--	✓		✓	--
Protection (ATEX)	--	--	✓		--	--
Tested	--	--	✓		✓	--
Specifications						
Supply voltage $U_i$	--	400 V	400 V		400 V	--
Thermal current $I_{the}$	--	6 A	6 A		6 A	--
Mounting holes	--	--	1 x M20 x 1.5, 2 x M20 x 1.5	1 x M20 x 1.5, 3 x M20 x 1.5	3 x M20 x 1.5	--



## 5, 3SE2 Position Switches

SIRIUS 3SE5 position switches are modern in design, modular and simple to connect. They save time and effort during installation of a whole range of applications. In principle it is possible to combine any enclosing mechanism, paying due consideration to the relevant standards and EN 50047 standards where necessary.

Various versions of the position switches in standard enclosures are available as complete units.



Position switches with plastic and metal enclosures

The SIRIUS 3SE5 features a new modular system comprising different actuator variants, the basic switch and an actuator which must be selected separately. Thanks to the modular design of the switch, the user can select the right solution for his application from numerous variants and install it himself in a very short time.

The modular method enables fast replacement of the actuator.



### Enclosure sizes

The 3SE5 switches are available in five different enclosure sizes with 2 or 3 contacts and with the XL enclosure:

- Open-type position switch IP20 or IP10
- Molded-plastic enclosures according to EN 50047, 31 mm wide, IP65, 1 cable entry
- Metal enclosures according to EN 50047, 31 mm wide, IP66/IP67, 1 cable entry
- Plastic and metal enclosures according to EN 50041, 40 mm wide, IP66/IP67, 1 cable entry
- Molded-plastic enclosures, 50 mm wide, IP66/IP67, 2 cable entries
- Metal enclosures, 56 mm wide, IP66/IP67, 3 cable entries
- XL metal enclosures with 4 to 6 contacts, 56 mm wide, IP66/IP67, 3 cable entries

### Enclosure versions

Various basic switches can be selected for the 3SE5 series:

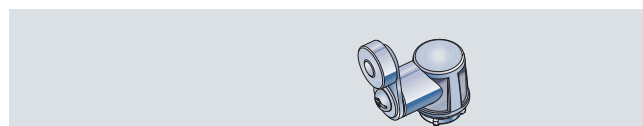
- With contact blocks with two or three contacts (screw terminals) designed as slow-action or snap-action contacts; the slow-action contacts also with make-before-break
- Optional LED status display
- With mounted four- or five-pole M12 connector socket (available for the wide enclosures as an accessory for self-assembly)
- With 6-pole connector socket + PE on the metal enclosures
- Versions with increased corrosion protection
- Versions for operating temperature up to  $-40\text{ }^{\circ}\text{C}$
- Metal enclosures for explosion protection (ATEX) ([see page 9/74](#))
- AS-Interface version with integrated ASIsafe electronics for all enclosure designs ([see page 9/82](#))

### Actuator variants

All operating mechanisms can be rotated around the axis in increments of  $22.5^{\circ}$ . The following actuator variants are available:

- Standard, rounded and roller plungers
- Roller and angular roller levers
- Spring rod
- Twist levers and rod actuators with twist actuator
- Fork levers with twist actuator

The actuator rollers are available with various materials and diameters.



## 3SE5, 3SE2 Position Switches

### General data

#### Indicators

enclosure sizes



versions can be supplied with an LED signaling (green + 1 × yellow). This is the first time that optoelectronic equipment is also available for small standard enclosure sizes according to EN 50047. The LED signaling indicators are available for all common voltages (24 V DC and 230 V AC).

#### Contacts

two and three-pole contact blocks  
enclosure sizes



contact block with snap-action or slow-action is particularly available for all enclosure forms. The same principle is required as for a two-pole block. The version with 2 NC offers for example more safety through redundancy (2 NC contacts) with simultaneous signaling. The three-pole blocks are also available with

#### Mounting

Easy plug-in method  
for fast replacement of the actuator heads



Open the cover (1)  
Actuate the locking lever (2)  
Replace the head (turnable by 16 × 22.5°) (3)  
Lock and close the cover

#### Quick-connect technology

For molded-plastic enclosure with a width of 31 mm



These position switches can be wired quickly and easily as an added customer benefit. The connecting cable is first connected to the terminals of the contact block and then guided through a slit into the cable gland opening. The time saved through this new connection method is approx. 20 to 25 %.

## 5, 3SE2 Position Switches

Position switches differ from the previous series showing new characteristics:

The structure of the product range allows a number with a smaller number of bearing types for enclosing mechanisms.

They can be turned around the axis in increments of (see picture on page 9/5).

Standard roller plungers according to EN 50041 with a travel (total travel 9 mm) for greater tolerance when

used in small enclosures – now also including the small enclosure – are optionally available with an LED signaling (see picture on page 9/5).

Special variants have an integrated chlorinated rubber for high functional safety in cold and aggressive environments.

Contact blocks are replaceable (see page 9/48).

Standard contact blocks are available for all enclosure sizes (see picture on page 9/5).

Standard 1 NO + 2 NC slow-action contacts with make-before-break and 2 NO + 1 NC

Standard make contact block 1 NO + 1 NC improves the pre-switching operation through a reduced actuation

Standard element with 1 NO + 1 NC snap-action contacts with a contact opening is suitable for simultaneous switching and signaling, particularly in the elevator

Standard enclosures for accommodating two 2- or 3-pole con-

Standard plastic enclosure with a width of 31 mm has simplified wiring equipment which makes it possible to save 20 to 25 % of the time when connecting (see picture on page 9/5).

Standard electric component is integrated for the versions with a terminal interface connection (see page 9/82); an additional terminal is not required.


Standard position switches, mechanical positions of the parts are converted into electrical signals. The modular and uniform design and large number of variants can meet practically all requirements in



Standard available with enclosure versions to suit the particular conditions. Different control tasks can be performed with the best contact blocks suited for the particular purpose. Different actuator variants are available to suit the mechanical configuration of the moved machined parts, fixing points and characteristics are largely in accordance with the EN 50041 or EN 50047 standards.

### Safety position switches

For controls according to IEC 60204-1 or EN 60204-1 the devices can be used as a safety position switch. To secure position switches against changes in their position, keyed techniques must be employed on installation.

### Safety circuits

IEC 60947-5-1 and EN 60947-5-1 require positive opening of the NC contacts, i.e. for the purposes of personal safety, the assured opening of NC contacts is expressly stipulated for the electrical equipment of machines in all safety circuits and marked according to the IEC standard 60947-5-1 with the symbol .

Category 2 according to ISO 13849-1 (EN 954-1) can be attained with 3SE5 position switches with , and category 3 or 4 when using an additional position switch, if the corresponding failsafe evaluation units are selected and correctly installed, e.g. the 3TK28 safety relays or matching devices from the ASIsafe, SIMATIC or SINUMERIK product ranges. The operating mechanisms (actuators) must also be connected to the enclosure by keyed techniques. The corresponding operating mechanisms are marked in the catalog with .

### Contacts for each application

- **Snap-action contacts:** NC and NO contacts switch simultaneously – regardless of the actuating speed ( $v_{\min} = 0.01$  m/s) and contact erosion.
- **Slow-action contacts:** Difference in travel between "NC contact opens" and "NO contact closes"; the switching speed is the same as or proportional to the actuating speed ( $v_{\min} = 0.4$  m/s).
- **Slow-action contacts with make-before-break:** e.g. suitable for adding a second function to a sequence control.

### Operating mechanisms for each application

#### Standard, rounded and roller plungers

- Operation in direction of the plunger axis or in case of roller plunger with bar at right angles to the plunger axis
- The roller plunger is recommended for lateral actuation and relatively long overtravel.

#### Roller and angular roller levers

- For actuators made of finely ground steel in the form of cams, straight-edges (approach angle 30°) or cam disks

#### Spring rod

- Can be used for undefined actuations and changing starting conditions
- Starting from any direction is possible.

#### Twist levers and rod actuators

- For a high starting speed ( $v = 1.5$  m/s)
- Variety of starting options
- Insensitive to oil, grinding dust and coarse-grained material
- Adjustment of the lever in increments of 10°.
- Can be adjusted with left or right switching

#### Fork lever

# 3SE5, 3SE2 Position Switches

## General data

### Specifications

		3SE5 1..., 3SE5 2..		3SE5 41.	3SE5 42.
		IEC 60947-5-1, EN 60947-5-1			
<b>Rated voltage <math>U_i</math></b>	V	400		400	
acc. to EN 60664-1		Class 3		Class 3	
<b>Withstand voltage <math>U_{imp}</math></b>	kV	6		4	
<b>Rated voltage <math>U_e</math></b>	V	400 V AC, over 300 V AC only for equal potential <sup>1)</sup>		300 AC	
<b>Rated thermal current <math>I_{th}</math></b>	A	10	6	10	
<b>Rated current <math>I_e</math></b>		2-pole	3-pole	2-pole	
current 50/60 Hz		$I_e/AC-15$	$I_e/AC-15$	$I_e/AC-15$	
	A	6	6	6	
	A	6	3	6	
	A	3	1.5	3	
		$I_e/DC-13$	$I_e/DC-13$	$I_e/DC-13$	
	A	3	3	3	
	A	0.55	0.55	0.55	
	A	0.27	0.27	0.27	
<b>Protection<sup>2)</sup></b>					
use links, as gG	A	6			
circuit breaker, Char. C	A	1	2	1	
<b>Operating cycles</b>					
3SE5 ...-...R..		15 × 10 <sup>6</sup> operating cycles		30 × 10 <sup>6</sup> operating cycles	30 × 10 <sup>6</sup> operating cycles
3SE5 1...-...T..		10 × 10 <sup>6</sup> operating cycles		--	--
		1 × 10 <sup>6</sup> operating cycles		--	--
<b>Operating cycles</b>					
for contactors in size S00, S0		10 × 10 <sup>6</sup> operating cycles		10 × 10 <sup>6</sup> operating cycles	5 × 10 <sup>6</sup> operating cycles
category AC-15 when AC-15 at 240 V		0.1 × 10 <sup>6</sup> operating cycles		--	--
category DC-12/DC-13		For direct current depending on the loading of the switch			
<b>Operating frequency</b>		6000 operating cycles/h		1800 operating cycles/h	
for contactors in size S00, S0					
<b>Mounting distance</b>	mm	0.05			
for mounting, for the plunger of the contact block					
for mounting		1°			
<b>Compliance with CE, RoHS and REACH</b>					
Rated voltage	V	300			
Rated current	A	6			
Rated capacity		Heavy duty, A 300/ B 300 /Q 300		A 300 / Q 300	

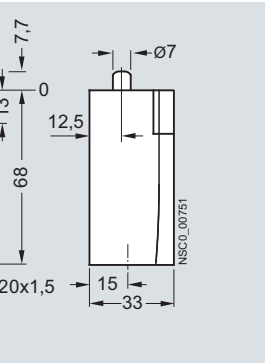
1) For contactors with 1 NO + 2 NC with make-before-break and the following applies: over 250 V AC only equal potential.  
2) For contactors with 1 NO + 2 NC with make-before-break and the following applies: over 250 V AC only equal potential.  
3) For contactors with 1 NO + 2 NC with make-before-break and the following applies: over 250 V AC only equal potential.

		3SE5 23.	3SE5 13	3SE5 24.	3SE5 21.	3SE5 11.	3SE5 12., 3SE5 16.	3SE5 4..	3SE5 25.
		Ultradim A3X2G7			Zinc diecasting GD Zn Al4 Cu1				--
	mm	31	40	50	31	40	56	30 / 40	30
<b>Protection acc. to EN 60529</b>		IP65	IP66/IP67 <sup>1)</sup>					IP67	IP20, IP10
<b>Material</b>									

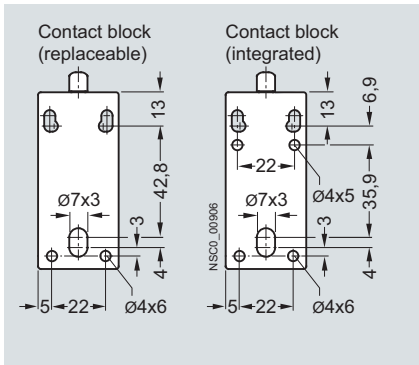
# 3SE5, 3SE2 Position Switches

## of the basic switches

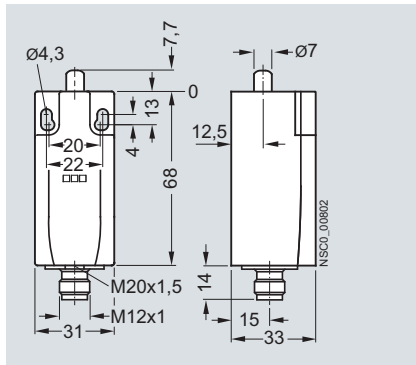
Enclosure width 31 mm, EN 50047,  
with M20 x 1.5 connecting thread



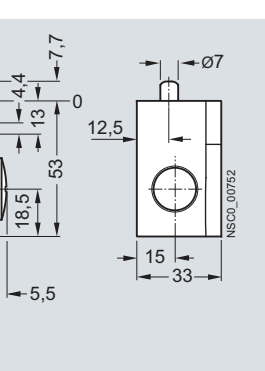
Enclosure width 31 mm, EN 50047,  
rear with fixing holes



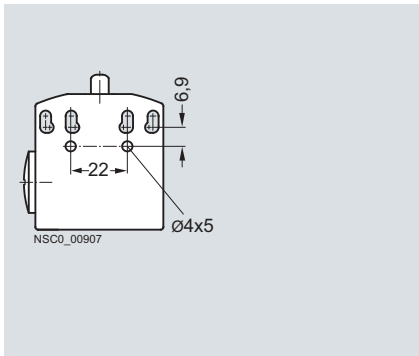
Enclosure width 31 mm, EN 50047,  
with M12 connector socket



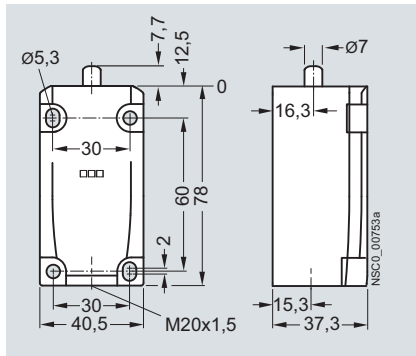
Enclosure width 50 mm,  
with M20 x 1.5 connecting thread



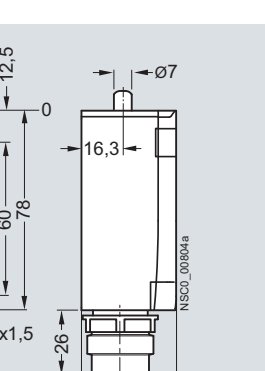
Enclosure width 50 mm,  
rear with fixing holes



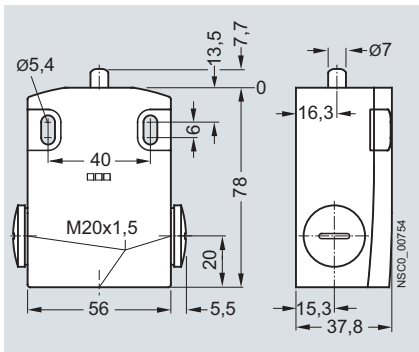
Enclosure width 40 mm, EN 50041,  
with M20 x 1.5 connecting thread



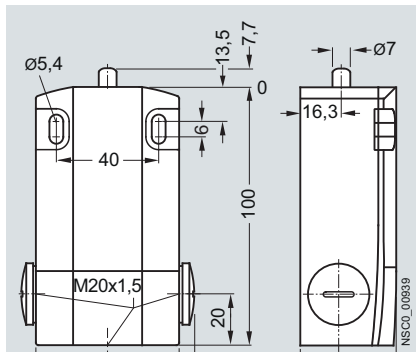
Enclosure width 40 mm, EN 50041,  
with M12 connector socket



Enclosure width 56 mm,  
with M20 x 1.5 connecting thread



XL enclosure, width 56 mm,  
with M20 x 1.5 connecting thread



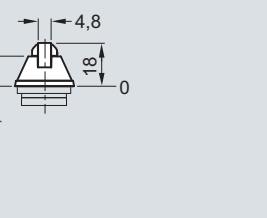


# 3SE5, 3SE2 Position Switches

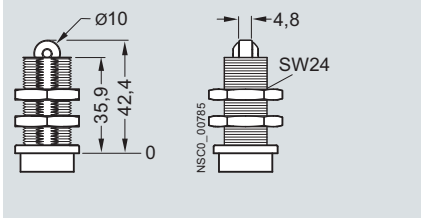
## General data

### Mechanisms for enclosure width 31 mm and 50 mm

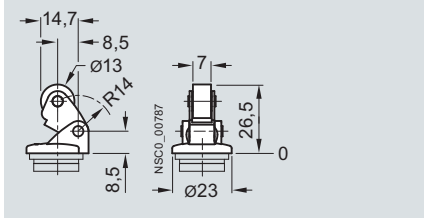
Roller lever, type C acc. to EN 50047



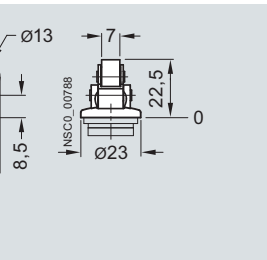
Roller plunger with central fixing



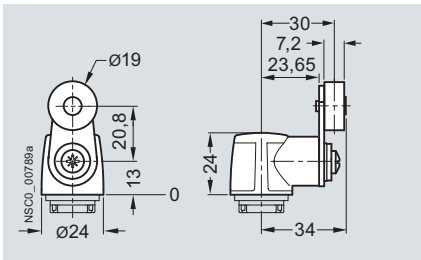
Roller lever, type E according to EN 50047



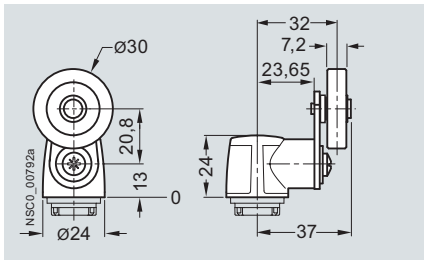
Roller



Twist lever, type A acc. to EN 50047

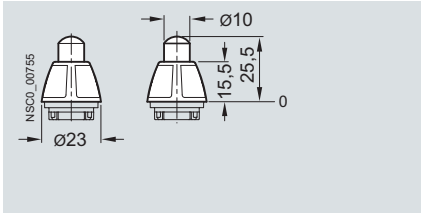


Twist lever, roller 30 mm

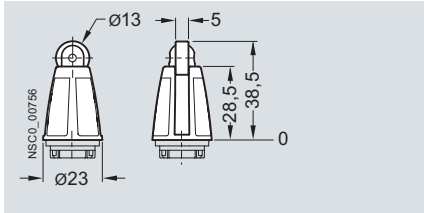


### Mechanism for enclosure width 40 mm and 56 mm

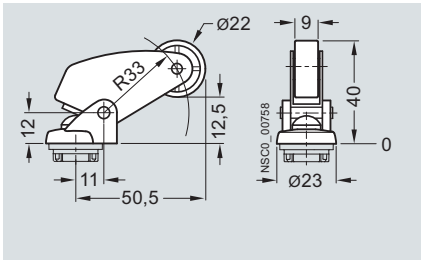
Rounded plunger, type B acc. to EN 50041



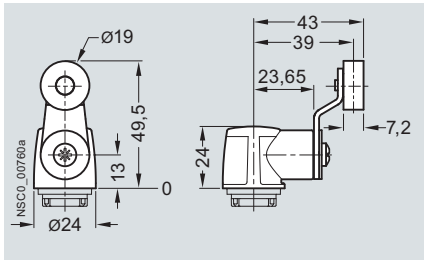
Roller plunger, type C acc. to EN 50041



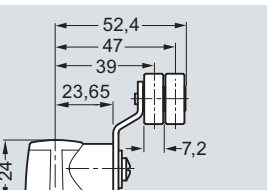
Angular roller lever



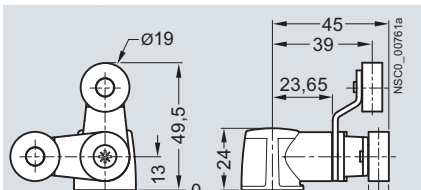
Twist lever, type A acc. to EN 50041



Rollers 19 mm



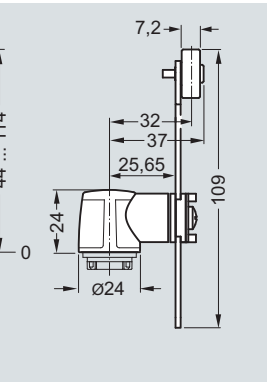
Fork lever, roller 19 mm



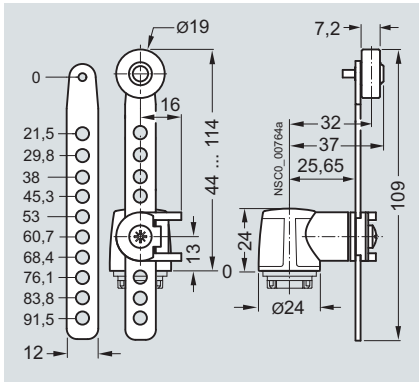
# 5, 3SE2 Position Switches

## Mechanisms for all enclosure widths

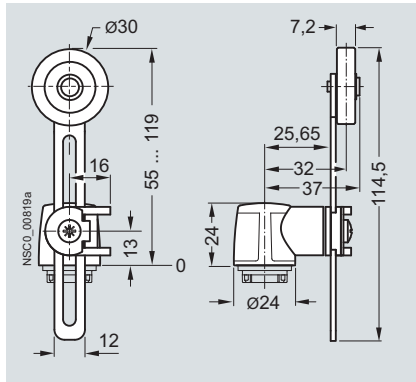
Adjustable length,



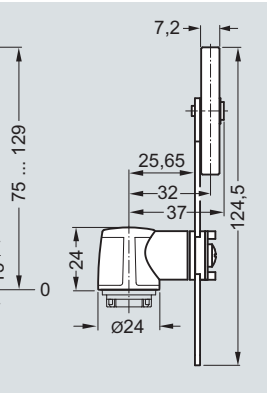
**Twist lever, adjustable length, with grid hole, roller 19 mm**



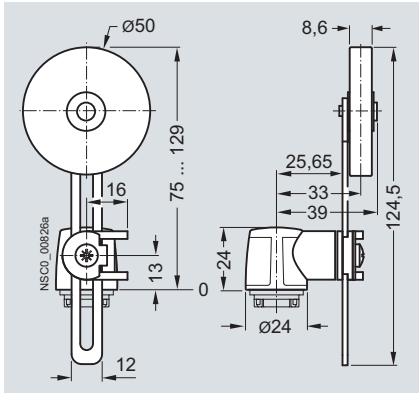
**Twist lever, adjustable length, roller 30 mm**



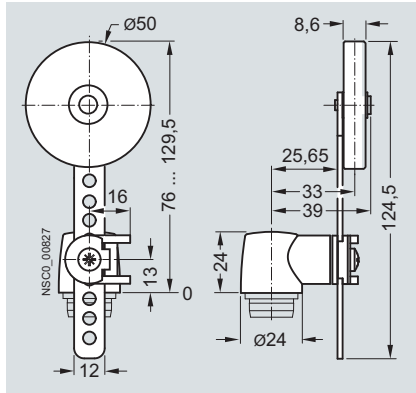
Adjustable length,



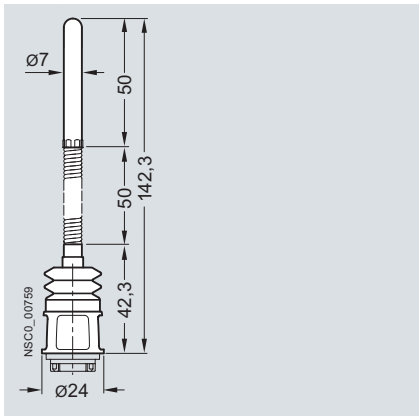
**Twist lever, adjustable length, rubber roller 50 mm**



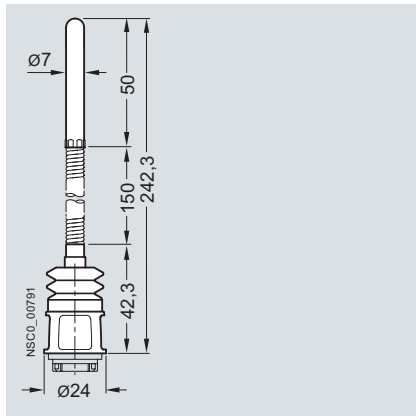
**Twist lever, adjustable length, with grid hole, rubber roller 50 mm**



**Spring rod, length 142.5 mm**



**Spring rod, length 242.5 mm**

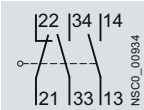


# 3SE5, 3SE2 Position Switches

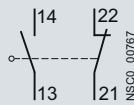
## General data

Widths 31, 40, 50 and 56 mm

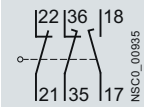
**Slow-action contacts**  
2 NO + 1 NC  
3SE5 ...-P...



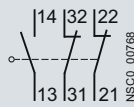
**Snap-action contacts**  
1 NO + 1 NC  
3SE5 ...-C..., -F..., -G..., -H..., -N...



**Slow-action contacts**  
1 NO + 2 NC with make-before-break, 3SE5 ...-M...

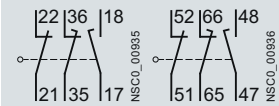
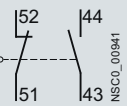


**Snap-action contacts**  
1 NO + 2 NC  
3SE5 ...-L...

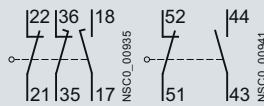


Width 56 mm

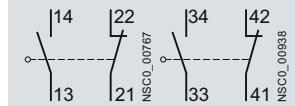
**Slow-action contacts**  
2 x (1 NO + 2 NC) with make-before-break, 3SE5 162-0D...



**For slow-action contacts**  
1 NO + 2 NC with make-before-break, 1 NO + 1 NC  
3SE5 162-0E...

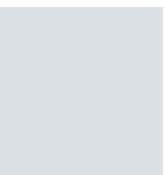


**Snap-action contacts**  
2 x (1 NO + 1 NC)  
3SE5 162-0C...

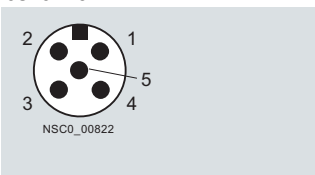


### Terminal assignment

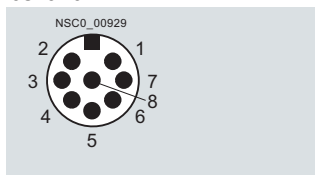
Connector socket, 4-pole



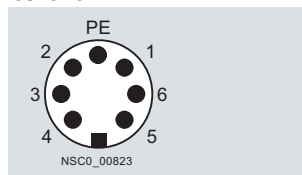
M12 connector socket, 5-pole  
3SY3 128



M12 connector socket, 8-pole  
3SY3 134



Connector socket, 6-pole + PE  
3SY3 131



Connector sockets	Contacts	LEDs	Connections									
			Pin 1	Pin 2	Pin 3	Pin 4	Pin 5	Pin 6	Pin 7	Pin 8	PE	
<b>4-pole sockets (4-, 5- or 8-pole)</b>												
3SY3 127	1 NO + 1 NC	--	21	22	13	14	--	--	--	--	--	--
3SY3 128	1 NO + 1 NC	--	21	22	13	14	PE	--	--	--	--	--
3SY3 127	2 NC	--	21	22	31	32	--	--	--	--	--	--
3SY3 128	2 NC	--	21	22	31	32	PE	--	--	--	--	--
3SY3 128	1 NO + 1 NC	2 LEDs	21	22	13 / LED gn	14 / LED ye	Ground LED	--	--	--	--	--
3SY3 134	1 NO + 2 NC	2 LEDs	21	22	13 / LED gn	14 / LED ye	31	32	Ground LED	PE	--	--

# 5, 3SE2 Position Switches

g pages you will find selection tables for complete components of the modular system.

te units

r system

ferences between the units are indicated in the n and ordering data by the symbols shown on backgrounds.

ular system you can assemble switch variants available as complete units. Each complete unit plied as a module.

for the modular system comprises an enclosure block and a cover. Among the basic switches the ns, for example, can be selected:

ure with teflon plunger  
increased corrosion protection

- Version with 2 LEDs
- Version with M12 connector socket or 6-pole + PE
- Version with M12 connector socket and with 2 LEDs

For the molded-plastic enclosures with a width of 31 and 50 mm the basic switches are designed as complete units with rounded plunger (according to standard).

### Online configurator

The online configurator helps you not only to select and order the right switch but also to create complete product documentation.

- Product data sheets
- Dimensional drawings
- Operating travel diagrams
- CAD data in 2D and 3D model images
- Ordering data
- Product photos

[www.siemens.com/industrial-controls/configurators](http://www.siemens.com/industrial-controls/configurators)


s  
ple

ch according to EN 50047 in a molded-plastic en-

k with slow-action contacts 1 NO + 1 NC  
r lever, metal lever and plastic roller

To be ordered:

Version	<b>Complete units</b> <input type="checkbox"/>
Order No.	

Complete units • Enclosure width 31 mm	
	<p><b>Angular roller levers</b>  <b>With metal lever and plastic roller 13 mm</b>                      Slow-action contacts                      1 NO + 1 NC</p> <p><b>3SE5 232-0BF10</b></p>


m  
ple 1

ch according to EN 50047 in a molded-plastic en-

k with slow-action contacts 1 NO + 1 NC  
r lever, metal lever and plastic roller

separately:

Version	<b>Modular system</b> <input checked="" type="checkbox"/>
Order No.	

Basic switches • Enclosure width 31 mm	
	<p><b>With teflon plunger</b>                      Slow-action contacts</p> <p><b>3SE5 232-0BC05</b></p>


### Ordering example 2

Required:

- Position switch according to EN 50047 in a molded-plastic enclosure
- Contact block with slow-action contacts 1 NO + 1 NC
- Twist lever, high-grade steel lever and plastic roller

To be ordered separately:

Version	<b>Modular system</b> <input checked="" type="checkbox"/>
Order No.	

Basic switches • Enclosure width 31 mm	
	<p><b>With teflon plunger</b>                      Slow-action contacts</p> <p><b>3SE5 232-0BC05</b></p>

# 3SE5, 3SE2 Position Switches

**3SE5, molded-plastic enclosures**  
Enclosure width 31 mm according to EN 50047

## Ordering data

· Degree of protection IP65 · Cable entry M20 × 1.5<sup>1)</sup>

Version	Contacts	LEDs	DT	Complete units	Price per PU	PU (UNIT, SET, M)	PS*	PG
				Order No.	Price per PU			
<b>s<sup>2)</sup> • Enclosure width 31 mm</b>								
<b>Rounded plungers, type B, acc. to EN 50047</b>								
<b>With teflon plunger</b>								
Slow-action contacts	1 NO + 1 NC --		⊕ ▶	<b>3SE5 232-0BC05</b>		1	1 unit	102
Snap-action contacts	1 NO + 1 NC --		⊕ B	<b>3SE5 232-0CC05</b>		1	1 unit	102
Snap-action contacts, integrated <sup>3)</sup>	1 NO + 1 NC --		⊕ ▶	<b>3SE5 232-0HC05</b>		1	1 unit	102
Snap-action contacts • Short-stroke, integrated <sup>3)</sup>	1 NO + 1 NC --		⊕ B	<b>3SE5 232-0FC05</b>		1	1 unit	102
Snap-action contacts • 2 × 2 mm contact gap	1 NO + 1 NC --		⊕ B	<b>3SE5 232-0GC05</b>		1	1 unit	102
Slow-action contacts	1 NO + 2 NC --		⊕ A	<b>3SE5 232-0KC05</b>		1	1 unit	102
Snap-action contacts	1 NO + 2 NC --		⊕ A	<b>3SE5 232-0LC05</b>		1	1 unit	102
Slow-action contacts with make-before-break	1 NO + 2 NC --		⊕ A	<b>3SE5 232-0MC05</b>		1	1 unit	102
Slow-action contacts	2 NO + 1 NC --		⊕ A	<b>3SE5 232-0PC05</b>		1	1 unit	102
<b>With increased corrosion protection</b>								
Slow-action contacts	1 NO + 1 NC --		⊕ B	<b>3SE5 232-0BC05-1CA0</b>		1	1 unit	102
Snap-action contacts	1 NO + 1 NC --		⊕ B	<b>3SE5 232-0CC05-1CA0</b>		1	1 unit	102
Slow-action contacts	1 NO + 2 NC --		⊕ B	<b>3SE5 232-0KC05-1CA0</b>		1	1 unit	102
Snap-action contacts	1 NO + 2 NC --		⊕ B	<b>3SE5 232-0LC05-1CA0</b>		1	1 unit	102
Slow-action contacts with make-before-break	1 NO + 2 NC --		⊕ B	<b>3SE5 232-0MC05-1CA0</b>		1	1 unit	102
Slow-action contacts	2 NO + 1 NC --		⊕ B	<b>3SE5 232-0PC05-1CA0</b>		1	1 unit	102
<b>With M12 connector socket, 4-pole (250 V, 4 A)</b>								
Slow-action contacts	1 NO + 1 NC --		⊕ B	<b>3SE5 234-0BC05-1AC4</b>		1	1 unit	102
Snap-action contacts, integrated <sup>3)</sup>	1 NO + 1 NC --		⊕ A	<b>3SE5 234-0HC05-1AC4</b>		1	1 unit	102
Slow-action contacts	2 NC --		⊕ B	<b>3SE5 234-0KC05-1AE0</b>		1	1 unit	102
Snap-action contacts	2 NC --		⊕ A	<b>3SE5 234-0LC05-1AE0</b>		1	1 unit	102
<b>With 2 LEDs, yellow/green</b>								
Slow-action contacts	1 NO + 2 NC 24 V DC		⊕ B	<b>3SE5 232-1KC05</b>		1	1 unit	102
Snap-action contacts	1 NO + 2 NC 24 V DC		⊕ B	<b>3SE5 232-1LC05</b>		1	1 unit	102
Slow-action contacts	1 NO + 2 NC 230 V AC		⊕ B	<b>3SE5 232-3KC05</b>		1	1 unit	102
Snap-action contacts	1 NO + 2 NC 230 V AC		⊕ B	<b>3SE5 232-3LC05</b>		1	1 unit	102
<b>With M12 connector socket, 5-pole (125 V, 4 A) and 2 LEDs</b>								
Slow-action contacts	1 NO + 1 NC 24 V DC		⊕ B	<b>3SE5 234-1BC05-1AF3</b>		1	1 unit	102
Snap-action contacts	1 NO + 1 NC 24 V DC		⊕ B	<b>3SE5 234-1CC05-1AF3</b>		1	1 unit	102
<b>Roller plungers, type C acc. to EN 50047</b>								
<b>With plastic roller 10 mm</b>								
Slow-action contacts	1 NO + 1 NC --		⊕ B	<b>3SE5 232-0BD03</b>		1	1 unit	102
Snap-action contacts • Integrated <sup>3)</sup>	1 NO + 1 NC --		⊕ ▶	<b>3SE5 232-0HD03</b>		1	1 unit	102
Snap-action contacts	1 NO + 1 NC --		⊕ B	<b>3SE5 232-0FD03</b>		1	1 unit	102

# 5, 3SE2 Position Switches

## Plastic enclosures width 31 mm according to EN 50047

· Degree of protection IP65 · Cable entry M20 × 1.5<sup>1)</sup>

Version	Contacts	LEDs	DT	Complete units	<input type="checkbox"/>	PU (UNIT, SET, M)	PS*	PG
				Order No.	Price per PU			
<b>2) • Enclosure width 31 mm</b>								
<b>Roller levers, type E acc. to EN 50047</b>								
<b>With metal lever and plastic roller 13 mm</b>								
Slow-action contacts	1 NO + 1 NC --		⊕ A	<b>3SE5 232-0BE10</b>		1	1 unit	102
Snap-action contacts, integrated <sup>3)</sup>	1 NO + 1 NC --		⊕ ▶	<b>3SE5 232-0HE10</b>		1	1 unit	102
Slow-action contacts	1 NO + 2 NC --		⊕ B	<b>3SE5 232-0KE10</b>		1	1 unit	102
Snap-action contacts	1 NO + 2 NC --		⊕ B	<b>3SE5 232-0LE10</b>		1	1 unit	102
<b>With M12 connector socket, 4-pole (250 V, 4 A)</b>								
Snap-action contacts, integrated <sup>3)</sup>	1 NO + 1 NC --		⊕ B	<b>3SE5 234-0HE10-1AC4</b>		1	1 unit	102
<b>Angular roller levers</b>								
<b>With metal lever and plastic roller 13 mm</b>								
Slow-action contacts	1 NO + 1 NC --		⊕ B	<b>3SE5 232-0BF10</b>		1	1 unit	102
Snap-action contacts, integrated <sup>3)</sup>	1 NO + 1 NC --		⊕ A	<b>3SE5 232-0HF10</b>		1	1 unit	102
Slow-action contacts	1 NO + 2 NC --		⊕ B	<b>3SE5 232-0KF10</b>		1	1 unit	102
Snap-action contacts	1 NO + 2 NC --		⊕ B	<b>3SE5 232-0LF10</b>		1	1 unit	102
<b>Spring rods</b>								
<b>Length 142.5 mm, with plastic plunger 50 mm</b>								
Snap-action contacts, integrated <sup>3)</sup>	1 NO + 1 NC --		A	<b>3SE5 232-0HR01</b>		1	1 unit	102
<b>With M12 connector socket, 4-pole (250 V, 4 A)</b>								
Snap-action contacts, integrated <sup>3)</sup>	1 NO + 1 NC --		B	<b>3SE5 234-0HR01-1AC4</b>		1	1 unit	102
<b>Twist levers, type A acc. to EN 50047</b>								
<b>With metal lever 21 mm and plastic roller 19 mm</b>								
Slow-action contacts	1 NO + 1 NC --		⊕ A	<b>3SE5 232-0BK21</b>		1	1 unit	102
Snap-action contacts, integrated <sup>3)</sup>	1 NO + 1 NC --		⊕ B	<b>3SE5 232-0HK21</b>		1	1 unit	102
Slow-action contacts	1 NO + 2 NC --		⊕ B	<b>3SE5 232-0KK21</b>		1	1 unit	102
Snap-action contacts	1 NO + 2 NC --		⊕ B	<b>3SE5 232-0LK21</b>		1	1 unit	102
<b>With M12 connector socket, 4-pole (250 V, 4 A)</b>								
Snap-action contacts, integrated <sup>3)</sup>	1 NO + 1 NC --		⊕ B	<b>3SE5 234-0HK21-1AC4</b>		1	1 unit	102
<b>With metal lever 35 mm and plastic roller 19 mm</b>								
Snap-action contacts, integrated <sup>3)</sup>	1 NO + 1 NC --		⊕ B	<b>3SE5 232-0HK15</b>		1	1 unit	102
<b>Twist levers, adjustable length</b>								
<b>With metal lever with grid hole and plastic roller 19 mm</b>								
Snap-action contacts, integrated <sup>3)</sup>	1 NO + 1 NC --		⊕ A	<b>3SE5 232-0HK60</b>		1	1 unit	102
<b>With metal lever and plastic roller 19 mm</b>								
Slow-action contacts	1 NO + 1 NC --		B	<b>3SE5 232-0BK50</b>		1	1 unit	102
Snap-action contacts, integrated <sup>3)</sup>	1 NO + 1 NC --		▶	<b>3SE5 232-0HK50</b>		1	1 unit	102
Snap-action contacts	1 NO + 2 NC --		B	<b>3SE5 232-0LK50</b>		1	1 unit	102
<b>With M12 connector socket, 4-pole (250 V, 4 A)</b>								
Snap-action contacts, integrated <sup>3)</sup>	1 NO + 1 NC --		B	<b>3SE5 234-0HK50-1AC4</b>		1	1 unit	102

## 3SE5, 3SE2 Position Switches

**3SE5, molded-plastic enclosures**  
Enclosure width 31 mm according to EN 50047

m


Degree of protection IP65 · Cable entry M20 × 1.5<sup>1)</sup>

Version	Contacts	LEDs	DT	Modular system	PU (UNIT, SET, M)	PS*	PG
				Order No.	Price per PU		
<b>Enclosure width 31 mm (with rounded plunger<sup>2)</sup>)</b>							
<b>With teflon plunger</b>							
Slow-action contacts	1 NO + 1 NC --		⊕ ▶	<b>3SE5 232-0BC05</b>	1	1 unit	102
Snap-action contacts	1 NO + 1 NC --		⊕ B	<b>3SE5 232-0CC05</b>	1	1 unit	102
Snap-action contacts, integrated <sup>3)</sup>	1 NO + 1 NC --		⊕ ▶	<b>3SE5 232-0HC05</b>	1	1 unit	102
Snap-action contacts • Short-stroke, integrated <sup>3)</sup>	1 NO + 1 NC --		⊕ B	<b>3SE5 232-0FC05</b>	1	1 unit	102
Snap-action contacts • 2 × 2 mm contact gap	1 NO + 1 NC --		⊕ B	<b>3SE5 232-0GC05</b>	1	1 unit	102
Slow-action contacts	1 NO + 2 NC --		⊕ A	<b>3SE5 232-0KC05</b>	1	1 unit	102
Snap-action contacts	1 NO + 2 NC --		⊕ A	<b>3SE5 232-0LC05</b>	1	1 unit	102
Slow-action contacts with make-before-break	1 NO + 2 NC --		⊕ A	<b>3SE5 232-0MC05</b>	1	1 unit	102
Slow-action contacts	2 NO + 1 NC --		⊕ A	<b>3SE5 232-0PC05</b>	1	1 unit	102
<b>With increased corrosion protection<sup>4)</sup></b>							
Slow-action contacts	1 NO + 1 NC --		⊕ B	<b>3SE5 232-0BC05-1CA0</b>	1	1 unit	102
Snap-action contacts	1 NO + 1 NC --		⊕ B	<b>3SE5 232-0CC05-1CA0</b>	1	1 unit	102
Slow-action contacts	1 NO + 2 NC --		⊕ B	<b>3SE5 232-0KC05-1CA0</b>	1	1 unit	102
Snap-action contacts	1 NO + 2 NC --		⊕ B	<b>3SE5 232-0LC05-1CA0</b>	1	1 unit	102
Slow-action contacts with make-before-break	1 NO + 2 NC --		⊕ B	<b>3SE5 232-0MC05-1CA0</b>	1	1 unit	102
Slow-action contacts	2 NO + 1 NC --		⊕ B	<b>3SE5 232-0PC05-1CA0</b>	1	1 unit	102
<b>With M12 connector socket, 4-pole (250 V, 4 A)</b>							
Slow-action contacts	1 NO + 1 NC --		⊕ B	<b>3SE5 234-0BC05-1AC4</b>	1	1 unit	102
Snap-action contacts, integrated <sup>3)</sup>	1 NO + 1 NC --		⊕ A	<b>3SE5 234-0HC05-1AC4</b>	1	1 unit	102
Slow-action contacts	2 NC --		⊕ B	<b>3SE5 234-0KC05-1AE0</b>	1	1 unit	102
Snap-action contacts	2 NC --		⊕ A	<b>3SE5 234-0LC05-1AE0</b>	1	1 unit	102
<b>With 2 LEDs, yellow/green</b>							
Slow-action contacts	1 NO + 2 NC 24 V DC		⊕ B	<b>3SE5 232-1KC05</b>	1	1 unit	102
Snap-action contacts	1 NO + 2 NC 24 V DC		⊕ B	<b>3SE5 232-1LC05</b>	1	1 unit	102
Slow-action contacts	1 NO + 2 NC 230 V AC		⊕ B	<b>3SE5 232-3KC05</b>	1	1 unit	102
Snap-action contacts	1 NO + 2 NC 230 V AC		⊕ B	<b>3SE5 232-3LC05</b>	1	1 unit	102
<b>With M12 connector socket, 5-pole (125 V, 4 A) and 2 LEDs</b>							
Slow-action contacts	1 NO + 1 NC 24 V DC		⊕ B	<b>3SE5 234-1BC05-1AF3</b>	1	1 unit	102
Snap-action contacts	1 NO + 1 NC 24 V DC		⊕ B	<b>3SE5 234-1CC05-1AF3</b>	1	1 unit	102

9

## 5, 3SE2 Position Switches

Modular plastic enclosures  
width 31 mm according to EN 50047

Version	Diameter	DT	Modular system		PU (UNIT, SET, M)	PS*	PG
	mm		Order No.	Price per PU			
<b>Mechanisms</b>							
<b>Roller plungers, type C acc. to EN 50047</b>							
Plastic rollers	10	⊙ A	<b>3SE5 000-0AD03</b>		1	1 unit	102
High-grade steel rollers	10	⊙ B	<b>3SE5 000-0AD04</b>		1	1 unit	102
<b>Roller plungers with central fixing</b>							
Plastic rollers	10	⊙ B	<b>3SE5 000-0AD10</b>		1	1 unit	102
High-grade steel rollers	10	⊙ B	<b>3SE5 000-0AD11</b>		1	1 unit	102
<b>Roller levers, type E acc. to EN 50047</b>							
Metal lever, plastic roller	13	⊙ A	<b>3SE5 000-0AE10</b>		1	1 unit	102
Metal lever, high-grade steel roller	13	⊙ B	<b>3SE5 000-0AE11</b>		1	1 unit	102
High-grade steel lever, plastic roller	13	⊙ B	<b>3SE5 000-0AE12</b>		1	1 unit	102
High-grade steel lever, high-grade steel roller	13	⊙ B	<b>3SE5 000-0AE13</b>		1	1 unit	102
<b>Angular roller levers</b>							
Metal lever, plastic roller	13	⊙ A	<b>3SE5 000-0AF10</b>		1	1 unit	102
Metal lever, high-grade steel roller	13	⊙ B	<b>3SE5 000-0AF11</b>		1	1 unit	102
High-grade steel lever, plastic roller	13	⊙ A	<b>3SE5 000-0AF12</b>		1	1 unit	102
High-grade steel lever, high-grade steel roller	13	⊙ B	<b>3SE5 000-0AF13</b>		1	1 unit	102
<b>Spring rods</b> (for switches with snap-action contacts only)							
Plastic plunger:							
• Length 142.5 mm (spring 50 mm, plunger 50 mm)		B	<b>3SE5 000-0AR01</b>		1	1 unit	102
• Length 76 mm (spring 23.5 mm, plunger 10 mm)		B	<b>3SE5 000-0AR03</b>		1	1 unit	102
• Length 242.5 mm (spring 150 mm, plunger 50 mm)		B	<b>3SE5 000-0AR04</b>		1	1 unit	102
High-grade steel plunger:							
• Length 142.5 mm (spring 50 mm, plunger 50 mm)		B	<b>3SE5 000-0AR02</b>		1	1 unit	102
<b>Twist actuators, plastic (without lever)</b>							
Switching right and/or left, adjustable		⊙ A	<b>3SE5 000-0AK00</b>		1	1 unit	102
<b>Levers for twist actuators</b>							
<b>Twist levers 21 mm, straight, type A acc. to EN 50047</b>							
Metal lever, plastic roller	19	⊙ A	<b>3SE5 000-0AA21</b>		1	1 unit	102
Metal lever, high-grade steel roller	19	⊙ B	<b>3SE5 000-0AA22</b>		1	1 unit	102
Metal lever, roller with ball bearing	19	⊙ B	<b>3SE5 000-0AA23</b>		1	1 unit	102
Metal lever, plastic roller	30	⊙ B	<b>3SE5 000-0AA25</b>		1	1 unit	102
High-grade steel lever, plastic roller	19	⊙ B	<b>3SE5 000-0AA31</b>		1	1 unit	102
High-grade steel lever, high-grade steel roller	19	⊙ B	<b>3SE5 000-0AA32</b>		1	1 unit	102
<b>Twist levers 30 mm, straight<sup>1)</sup></b>							
Metal lever, plastic roller	19	⊙ B	<b>3SE5 000-0AA24</b>		1	1 unit	102
<b>Twist levers, adjustable length, with grid hole</b>							
Metal lever, plastic roller	19	⊙ B	<b>3SE5 000-0AA60</b>		1	1 unit	102
Metal lever, high-grade steel roller	19	⊙ B	<b>3SE5 000-0AA61</b>		1	1 unit	102
Metal lever, plastic roller	50	⊙ B	<b>3SE5 000-0AA67</b>		1	1 unit	102
Metal lever, rubber roller	50	⊙ B	<b>3SE5 000-0AA68</b>		1	1 unit	102



## 3SE5, 3SE2 Position Switches

**3SE5, molded-plastic enclosures**  
Enclosure width 40 mm according to EN 50041

### Ordering data

Degree of protection IP66/67 · Cable entry M20 × 1.5

Version	Contacts	LEDs	DT	Complete units	PU (UNIT, SET, M)	PS*	PG
				Order No.	Price per PU		
<b>s<sup>1)</sup> · Enclosure width 40 mm</b>							
<b>Plain plungers</b>							
<b>With high-grade steel plunger</b>							
Slow-action contacts	1 NO + 1 NC --		⊕ A	<b>3SE5 132-0BB01</b>	1	1 unit	102
Snap-action contacts	1 NO + 1 NC --		⊕ A	<b>3SE5 132-0CB01</b>	1	1 unit	102
Slow-action contacts	1 NO + 2 NC --		⊕ B	<b>3SE5 132-0KB01</b>	1	1 unit	102
Snap-action contacts	1 NO + 2 NC --		⊕ B	<b>3SE5 132-0LB01</b>	1	1 unit	102
Slow-action contacts	2 NO + 1 NC --		⊕ B	<b>3SE5 132-0PB01</b>	1	1 unit	102
<b>Rounded plungers, type B acc. to EN 50041</b>							
<b>With plastic plunger</b>							
Slow-action contacts	1 NO + 1 NC --		⊕ B	<b>3SE5 132-0BC03</b>	1	1 unit	102
Snap-action contacts	1 NO + 1 NC --		⊕ A	<b>3SE5 132-0CC03</b>	1	1 unit	102
Slow-action contacts	1 NO + 2 NC --		⊕ B	<b>3SE5 132-0KC03</b>	1	1 unit	102
Snap-action contacts	1 NO + 2 NC --		⊕ A	<b>3SE5 132-0LC03</b>	1	1 unit	102
Slow-action contacts	2 NO + 1 NC --		⊕ B	<b>3SE5 132-0PC03</b>	1	1 unit	102
<b>Roller plungers, type C acc. to EN 50041</b>							
<b>With plastic roller 13 mm</b>							
Slow-action contacts	1 NO + 1 NC --		⊕ B	<b>3SE5 132-0BD05</b>	1	1 unit	102
Snap-action contacts	1 NO + 1 NC --		⊕ B	<b>3SE5 132-0CD05</b>	1	1 unit	102
Slow-action contacts	1 NO + 2 NC --		⊕ B	<b>3SE5 132-0KD05</b>	1	1 unit	102
Snap-action contacts	1 NO + 2 NC --		⊕ B	<b>3SE5 132-0LD05</b>	1	1 unit	102
Slow-action contacts	2 NO + 1 NC --		⊕	<b>3SE5 132-0PD05</b>	1	1 unit	102
<b>Roller levers</b>							
<b>With metal lever and plastic roller 22 mm</b>							
Slow-action contacts	1 NO + 1 NC --		⊕ B	<b>3SE5 132-0BE05</b>	1	1 unit	102
Snap-action contacts	1 NO + 1 NC --		⊕ B	<b>3SE5 132-0CE05</b>	1	1 unit	102
Slow-action contacts	1 NO + 2 NC --		⊕ B	<b>3SE5 132-0KE05</b>	1	1 unit	102
Snap-action contacts	1 NO + 2 NC --		⊕ B	<b>3SE5 132-0LE05</b>	1	1 unit	102
Slow-action contacts	2 NO + 1 NC --		⊕ B	<b>3SE5 132-0PE05</b>	1	1 unit	102
<b>Angular roller levers</b>							
<b>With metal lever and plastic roller 22 mm</b>							
Slow-action contacts	1 NO + 1 NC --		⊕ B	<b>3SE5 132-0BF05</b>	1	1 unit	102
Snap-action contacts	1 NO + 1 NC --		⊕ B	<b>3SE5 132-0CF05</b>	1	1 unit	102
Snap-action contacts	1 NO + 2 NC --		⊕ B	<b>3SE5 132-0LF05</b>	1	1 unit	102
<b>Spring rods</b>							

## 5, 3SE2 Position Switches

### Plastic enclosures width 40 mm according to EN 50041

· Degree of protection IP66/IP67 · Cable entry M20 × 1.5

Version	Contacts	LEDs	DT	Complete units	<input type="checkbox"/>	PU (UNIT, SET, M)	PS*	PG
				Order No.	Price per PU			
<b>s<sup>1)</sup> • Enclosure width 40 mm</b>								
<b>Twist levers, type A acc. to EN 50041</b>								
<b>With metal lever 27 mm and plastic roller 19 mm</b>								
Slow-action contacts	1 NO + 1 NC --		⊕ B	<b>3SE5 132-0BJ01</b>		1	1 unit	102
Snap-action contacts	1 NO + 1 NC --		⊕ A	<b>3SE5 132-0CJ01</b>		1	1 unit	102
Slow-action contacts	1 NO + 2 NC --		⊕ B	<b>3SE5 132-0KJ01</b>		1	1 unit	102
Snap-action contacts	1 NO + 2 NC --		⊕ B	<b>3SE5 132-0LJ01</b>		1	1 unit	102
Slow-action contacts	2 NO + 1 NC --		⊕ B	<b>3SE5 132-0PJ01</b>		1	1 unit	102
<b>Twist levers, adjustable length</b>								
<b>With metal lever with grid hole and plastic roller 19 mm</b>								
Snap-action contacts	1 NO + 1 NC --		⊕ B	<b>3SE5 132-0CJ60</b>		1	1 unit	102
Snap-action contacts	1 NO + 2 NC --		⊕ B	<b>3SE5 132-0LJ60</b>		1	1 unit	102
<b>With metal lever and plastic roller 19 mm</b>								
Snap-action contacts	1 NO + 1 NC --		B	<b>3SE5 132-0CJ50</b>		1	1 unit	102
Snap-action contacts	1 NO + 2 NC --		B	<b>3SE5 132-0LJ50</b>		1	1 unit	102
<b>Rod actuators, type D, acc. to EN 50041</b>								
<b>With aluminum rod, length 200 mm</b>								
Snap-action contacts	1 NO + 1 NC --		A	<b>3SE5 132-0CJ80</b>		1	1 unit	102
<b>With plastic rod, length 200 mm</b>								
Snap-action contacts	1 NO + 1 NC --		B	<b>3SE5 132-0CJ82</b>		1	1 unit	102

## 3SE5, 3SE2 Position Switches

**3SE5, molded-plastic enclosures**  
Enclosure width 40 mm according to EN 50041

m

· Degree of protection IP66/IP67 · Cable entry M20 × 1.5

Version	Contacts	LEDs	DT	Modular system	PU (UNIT, SET, M)	PS*	PG
				Order No.	Price per PU		
<b>Enclosure width 40 mm</b>							
<b>With M20 × 1.5 connecting thread</b>							
Slow-action contacts	1 NO + 1 NC --		⊕ A	<b>3SE5 132-0BA00</b>	1	1 unit	102
Snap-action contacts	1 NO + 1 NC --		⊕ A	<b>3SE5 132-0CA00</b>	1	1 unit	102
• Gold-plated contacts			⊕ B	<b>3SE5 132-0CA00-1AC1</b>	1	1 unit	102
Slow-action contacts	1 NO + 2 NC --		⊕ A	<b>3SE5 132-0KA00</b>	1	1 unit	102
Snap-action contacts	1 NO + 2 NC --		⊕ A	<b>3SE5 132-0LA00</b>	1	1 unit	102
Slow-action contacts with make-before-break	1 NO + 2 NC --		⊕ A	<b>3SE5 132-0MA00</b>	1	1 unit	102
Slow-action contacts	2 NO + 1 NC --		⊕ A	<b>3SE5 132-0PA00</b>	1	1 unit	102
<b>With increased corrosion protection<sup>1)</sup></b>							
Slow-action contacts	1 NO + 1 NC --		⊕ B	<b>3SE5 132-0BA00-1CA0</b>	1	1 unit	102
Snap-action contacts	1 NO + 1 NC --		⊕ B	<b>3SE5 132-0CA00-1CA0</b>	1	1 unit	102
Slow-action contacts	1 NO + 2 NC --		⊕ B	<b>3SE5 132-0KA00-1CA0</b>	1	1 unit	102
Snap-action contacts	1 NO + 2 NC --		⊕ B	<b>3SE5 132-0LA00-1CA0</b>	1	1 unit	102
Slow-action contacts with make-before-break	1 NO + 2 NC --		⊕ B	<b>3SE5 132-0MA00-1CA0</b>	1	1 unit	102
Slow-action contacts	2 NO + 1 NC --		⊕ B	<b>3SE5 132-0PA00-1CA0</b>	1	1 unit	102
<b>With M12 connector socket, 4-pole (250 V, 4 A)</b>							
Slow-action contacts	1 NO + 1 NC --		⊕ B	<b>3SE5 134-0BA00-1AC4</b>	1	1 unit	102
Snap-action contacts	1 NO + 1 NC --		⊕ B	<b>3SE5 134-0CA00-1AC4</b>	1	1 unit	102
Slow-action contacts	2 NC --		⊕ B	<b>3SE5 134-0KA00-1AE0</b>	1	1 unit	102
Snap-action contacts	2 NC --		⊕ B	<b>3SE5 134-0LA00-1AE0</b>	1	1 unit	102
<b>With 2 LEDs, yellow/green</b>							
Slow-action contacts	1 NO + 2 NC	24 V DC	⊕ B	<b>3SE5 132-1KA00</b>	1	1 unit	102
Snap-action contacts	1 NO + 2 NC	24 V DC	⊕ B	<b>3SE5 132-1LA00</b>	1	1 unit	102
Slow-action contacts	1 NO + 2 NC	230 V AC	⊕ C	<b>3SE5 132-3KA00</b>	1	1 unit	102
Snap-action contacts	1 NO + 2 NC	230 V AC	⊕ C	<b>3SE5 132-3LA00</b>	1	1 unit	102

g according to IEC 60947-5-1, Appendix K, or  
n actuator, necessary in safety circuits.

ing high-grade steel lever.

Note: For selection aid, see page 9/12.



# 5, 3SE2 Position Switches

## Plastic enclosures width 40 mm according to EN 50041

Version	Diameter	DT	Modular system	Price per PU	PU (UNIT, SET, M)	PS*	PG
	mm		Order No.				
<b>Mechanisms</b>							
<b>Plain plungers</b>							
High-grade steel plungers	10	⊙ A	<b>3SE5 000-0AB01</b>		1	1 unit	102
<b>Rounded plungers, type B acc. to EN 50041</b>							
Plastic plungers	10	⊙ A	<b>3SE5 000-0AC03</b>		1	1 unit	102
<b>Roller plungers, type C acc. to EN 50041</b>							
High-grade steel lever, plastic roller	13	⊙ A	<b>3SE5 000-0AD05</b>		1	1 unit	102
Plastic plunger, high-grade steel roller	13	⊙ A	<b>3SE5 000-0AD06</b>		1	1 unit	102
<b>Roller levers</b>							
Metal lever with plastic roller, plastic base	22	⊙ A	<b>3SE5 000-0AE05</b>		1	1 unit	102
<b>Angular roller levers</b>							
Metal lever with plastic roller, plastic base	22	⊙ A	<b>3SE5 000-0AF05</b>		1	1 unit	102
<b>Spring rods (for switches with snap-action contacts only)</b>							
Plastic plunger:							
• Length 142.5 mm (spring 50 mm, plunger 50 mm)		B	<b>3SE5 000-0AR01</b>		1	1 unit	102
• Length 76 mm (spring 23.5 mm, plunger 10 mm)		B	<b>3SE5 000-0AR03</b>		1	1 unit	102
• Length 242.5 mm (spring 150 mm, plunger 50 mm)		B	<b>3SE5 000-0AR04</b>		1	1 unit	102
High-grade steel plunger:							
• Length 142.5 mm (spring 50 mm, plunger 50 mm)		B	<b>3SE5 000-0AR02</b>		1	1 unit	102
<b>Twist actuators</b>							
<b>Twist actuators, plastic (without lever)</b>							
• For twist levers and rod actuators, switching right and/or left, adjustable		⊙ A	<b>3SE5 000-0AJ00</b>		1	1 unit	102
<b>Levers for twist actuators</b>							
<b>Twist levers, offset, type A acc. to EN 50041</b>							
Metal lever 27 mm, plastic roller	19	⊙ A	<b>3SE5 000-0AA01</b>		1	1 unit	102
Metal lever 27 mm, high-grade steel roller	19	⊙ A	<b>3SE5 000-0AA02</b>		1	1 unit	102
Metal lever 27 mm, roller with ball bearing	19	⊙ B	<b>3SE5 000-0AA03</b>		1	1 unit	102
Metal lever 27 mm, 2 plastic rollers	19	⊙ B	<b>3SE5 000-0AA04</b>		1	1 unit	102
Metal lever 27 mm, plastic roller	30	⊙ B	<b>3SE5 000-0AA05</b>		1	1 unit	102
Metal lever 27 mm, rubber roller	50	⊙ B	<b>3SE5 000-0AA08</b>		1	1 unit	102
High-grade steel lever 27 mm, plastic roller	19	⊙ B	<b>3SE5 000-0AA11</b>		1	1 unit	102
High-grade steel lever 27 mm, high-grade steel roller	19	⊙ B	<b>3SE5 000-0AA12</b>		1	1 unit	102
Metal lever 35 mm, plastic roller	19	⊙ B	<b>3SE5 000-0AA15</b>		1	1 unit	102
<b>Twist levers 30 mm, straight<sup>1)</sup></b>							
Metal lever, plastic roller	19	⊙ B	<b>3SE5 000-0AA24</b>		1	1 unit	102
Metal lever, plastic roller	30	⊙ B	<b>3SE5 000-0AA26</b>		1	1 unit	102
<b>Twist levers, adjustable length, with grid hole</b>							
Metal lever, plastic roller	19	⊙ B	<b>3SE5 000-0AA60</b>		1	1 unit	102
Metal lever, high-grade steel roller	19	⊙ B	<b>3SE5 000-0AA61</b>		1	1 unit	102

## 3SE5, 3SE2 Position Switches

### 3SE5, molded-plastic enclosures Enclosure width 50 mm

#### Ordering data

Degree of protection IP66/IP67 · Cable entry 2 × (M20 × 1.5)

Version	Contacts	LEDs	DT	Complete units	<input type="checkbox"/>	PU (UNIT, SET, M)	PS*	PG
				Order No.	Price per PU			
<b>s<sup>1)</sup> • Enclosure width 50 mm</b>								
<b>Rounded plungers</b>								
<b>With teflon plunger</b>								
Slow-action contacts	1 NO + 1 NC --		⊕ A	<b>3SE5 242-0BC05</b>		1	1 unit	102
Snap-action contacts	1 NO + 1 NC --		⊕ B	<b>3SE5 242-0CC05</b>		1	1 unit	102
Snap-action contacts, integrated <sup>2)</sup>	1 NO + 1 NC --		⊕ ►	<b>3SE5 242-0HC05</b>		1	1 unit	102
Snap-action contacts • Short-stroke, integrated <sup>2)</sup>	1 NO + 1 NC --		⊕ B	<b>3SE5 242-0FC05</b>		1	1 unit	102
Snap-action contacts • 2 × 2 mm contact gap	1 NO + 1 NC --		⊕ B	<b>3SE5 242-0GC05</b>		1	1 unit	102
Slow-action contacts	1 NO + 2 NC --		⊕ B	<b>3SE5 242-0KC05</b>		1	1 unit	102
Snap-action contacts	1 NO + 2 NC --		⊕ B	<b>3SE5 242-0LC05</b>		1	1 unit	102
Slow-action contacts with make-before-break	1 NO + 2 NC --		⊕ A	<b>3SE5 242-0MC05</b>		1	1 unit	102
Slow-action contacts	2 NO + 1 NC --		⊕ A	<b>3SE5 242-0PC05</b>		1	1 unit	102
<b>With increased corrosion protection</b>								
Slow-action contacts	1 NO + 1 NC --		⊕ B	<b>3SE5 242-0BC05-1CA0</b>		1	1 unit	102
Snap-action contacts, integrated <sup>2)</sup>	1 NO + 1 NC --		⊕ B	<b>3SE5 242-0HC05-1CA0</b>		1	1 unit	102
Slow-action contacts	1 NO + 2 NC --		⊕ B	<b>3SE5 242-0KC05-1CA0</b>		1	1 unit	102
Snap-action contacts	1 NO + 2 NC --		⊕ B	<b>3SE5 242-0LC05-1CA0</b>		1	1 unit	102
Slow-action contacts with make-before-break	1 NO + 2 NC --		⊕ B	<b>3SE5 242-0MC05-1CA0</b>		1	1 unit	102
Slow-action contacts	2 NO + 1 NC --		⊕ B	<b>3SE5 242-0PC05-1CA0</b>		1	1 unit	102
<b>With 2 LEDs, yellow/green</b>								
Slow-action contacts	1 NO + 2 NC 24 V DC		⊕ B	<b>3SE5 242-1KC05</b>		1	1 unit	102
Snap-action contacts	1 NO + 2 NC 24 V DC		⊕ B	<b>3SE5 242-1LC05</b>		1	1 unit	102
Slow-action contacts	1 NO + 2 NC 230 V AC		⊕ B	<b>3SE5 242-3KC05</b>		1	1 unit	102
Snap-action contacts	1 NO + 2 NC 230 V AC		⊕ B	<b>3SE5 242-3LC05</b>		1	1 unit	102
<b>Roller plungers</b>								
<b>With plastic roller 10 mm</b>								
Slow-action contacts	1 NO + 1 NC --		⊕ B	<b>3SE5 242-0BD03</b>		1	1 unit	102
Snap-action contacts, integrated <sup>2)</sup>	1 NO + 1 NC --		⊕ B	<b>3SE5 242-0HD03</b>		1	1 unit	102
Snap-action contacts	1 NO + 2 NC --		⊕ B	<b>3SE5 242-0LD03</b>		1	1 unit	102

g according to IEC 60947-5-1, Appendix K.

s.  
placement of contact blocks is not possible.

## 5, 3SE2 Position Switches

### Plastic enclosures width 50 mm

· Degree of protection IP66/IP67 · Cable entry 2 × (M20 × 1.5)

Version	Contacts	LEDs	DT	Complete units	<input type="checkbox"/>	PU (UNIT, SET, M)	PS*	PG
				Order No.	Price per PU			
<b>s<sup>1)</sup> • Enclosure width 50 mm</b>								
<b>Roller levers</b>								
<b>With metal lever and plastic roller 13 mm</b>								
Slow-action contacts	1 NO + 1 NC --		⊕ B	<b>3SE5 242-0BE10</b>		1	1 unit	102
Snap-action contacts, integrated <sup>2)</sup>	1 NO + 1 NC --		⊕ A	<b>3SE5 242-0HE10</b>		1	1 unit	102
Snap-action contacts	1 NO + 2 NC --		⊕ B	<b>3SE5 242-0LE10</b>		1	1 unit	102
<b>With M12 connector socket, 4-pole right (250 V, 4 A)</b>								
Snap-action contacts	2 NC --		⊕ B	<b>3SE5 244-0LE10-1AE0</b>		1	1 unit	102
<b>Twist levers</b>								
<b>With metal lever 21 mm and plastic roller 19 mm</b>								
Slow-action contacts	1 NO + 1 NC --		⊕ B	<b>3SE5 242-0BK21</b>		1	1 unit	102
Snap-action contacts, integrated <sup>2)</sup>	1 NO + 1 NC --		⊕ B	<b>3SE5 242-0HK21</b>		1	1 unit	102
Snap-action contacts	1 NO + 2 NC --		⊕ B	<b>3SE5 242-0LK21</b>		1	1 unit	102
<b>Twist levers, adjustable length</b>								
<b>With metal lever and plastic roller 19 mm</b>								
Snap-action contacts, integrated <sup>2)</sup>	1 NO + 1 NC --		B	<b>3SE5 242-0HK50</b>		1	1 unit	102

g according to IEC 60947-5-1, Appendix K.  
s.  
placement of contact blocks is not possible.

*Note: If the device you require is not available as a complete unit, see "Modular system" on the next page.*

## 3SE5, 3SE2 Position Switches

### 3SE5, molded-plastic enclosures Enclosure width 50 mm

m

· Degree of protection IP66/IP67 · Cable entry 2 × (M20 × 1.5)

Version	Contacts	LEDs	DT	Modular system	PU (UNIT, SET, M)	PS*	PG
				Order No.	Price per PU		
<b>Enclosure width 50 mm (with rounded plunger<sup>1)</sup>)</b>							
<b>With teflon plunger</b>							
Slow-action contacts	1 NO + 1 NC --		⊕ A	<b>3SE5 242-0BC05</b>	1	1 unit	102
Snap-action contacts	1 NO + 1 NC --		⊕ B	<b>3SE5 242-0CC05</b>	1	1 unit	102
Snap-action contacts, integrated <sup>2)</sup>	1 NO + 1 NC --		⊕ ▶	<b>3SE5 242-0HC05</b>	1	1 unit	102
Snap-action contacts • Short-stroke, integrated <sup>2)</sup>	1 NO + 1 NC --		⊕ B	<b>3SE5 242-0FC05</b>	1	1 unit	102
Snap-action contacts • 2 × 2 mm contact gap	1 NO + 1 NC --		⊕ B	<b>3SE5 242-0GC05</b>	1	1 unit	102
Slow-action contacts	1 NO + 2 NC --		⊕ B	<b>3SE5 242-0KC05</b>	1	1 unit	102
Snap-action contacts	1 NO + 2 NC --		⊕ B	<b>3SE5 242-0LC05</b>	1	1 unit	102
Slow-action contacts with make-before-break	1 NO + 2 NC --		⊕ A	<b>3SE5 242-0MC05</b>	1	1 unit	102
Slow-action contacts	2 NO + 1 NC --		⊕ A	<b>3SE5 242-0PC05</b>	1	1 unit	102
<b>With increased corrosion protection<sup>3)</sup></b>							
Slow-action contacts	1 NO + 1 NC --		⊕ B	<b>3SE5 242-0BC05-1CA0</b>	1	1 unit	102
Snap-action contacts, integrated <sup>2)</sup>	1 NO + 1 NC --		⊕ B	<b>3SE5 242-0HC05-1CA0</b>	1	1 unit	102
Slow-action contacts	1 NO + 2 NC --		⊕ B	<b>3SE5 242-0KC05-1CA0</b>	1	1 unit	102
Snap-action contacts	1 NO + 2 NC --		⊕ B	<b>3SE5 242-0LC05-1CA0</b>	1	1 unit	102
Slow-action contacts with make-before-break	1 NO + 2 NC --		⊕ B	<b>3SE5 242-0MC05-1CA0</b>	1	1 unit	102
Slow-action contacts	2 NO + 1 NC --		⊕ B	<b>3SE5 242-0PC05-1CA0</b>	1	1 unit	102
<b>With 2 LEDs, yellow/green</b>							
Slow-action contacts	1 NO + 2 NC	24 V DC	⊕ B	<b>3SE5 242-1KC05</b>	1	1 unit	102
Snap-action contacts	1 NO + 2 NC	24 V DC	⊕ B	<b>3SE5 242-1LC05</b>	1	1 unit	102
Slow-action contacts	1 NO + 2 NC	230 V AC	⊕ B	<b>3SE5 242-3KC05</b>	1	1 unit	102
Snap-action contacts	1 NO + 2 NC	230 V AC	⊕ B	<b>3SE5 242-3LC05</b>	1	1 unit	102

g according to IEC 60947-5-1, Appendix K, or  
actuator, necessary in safety circuits.

ersion the basic switch is a complete unit with rounded

lacement of contact blocks is not possible.  
ing high-grade steel lever.

*Note: For selection aid, see page 9/12.*



Version	Diameter	DT	Modular system	PU (UNIT, SET, M)	PS*	PG
				Order No.	Price per PU	
<b>Mechanisms</b>						
<b>Roller plungers, type C acc. to EN 50047</b>						
Plastic rollers	10	⊕ A	<b>3SE5 000-0AD03</b>	1	1 unit	102
High-grade steel rollers	10	⊕ B	<b>3SE5 000-0AD04</b>	1	1 unit	102

# 5, 3SE2 Position Switches

## Plastic enclosures width 50 mm

Version	Diameter	DT	Modular system	PU (UNIT, SET, M)	PS*	PG
	mm		Order No.	Price per PU		
<b>Mechanisms</b>						
<b>Roller levers, type E acc. to EN 50047</b>						
Metal lever, plastic roller	13	⊙ A	<b>3SE5 000-0AE10</b>	1	1 unit	102
Metal lever, high-grade steel roller	13	⊙ B	<b>3SE5 000-0AE11</b>	1	1 unit	102
High-grade steel lever, plastic roller	13	⊙ B	<b>3SE5 000-0AE12</b>	1	1 unit	102
High-grade steel lever, high-grade steel roller	13	⊙ B	<b>3SE5 000-0AE13</b>	1	1 unit	102
<b>Angular roller levers</b>						
Metal lever, plastic roller	13	⊙ A	<b>3SE5 000-0AF10</b>	1	1 unit	102
Metal lever, high-grade steel roller	13	⊙ B	<b>3SE5 000-0AF11</b>	1	1 unit	102
High-grade steel lever, plastic roller	13	⊙ A	<b>3SE5 000-0AF12</b>	1	1 unit	102
High-grade steel lever, high-grade steel roller	13	⊙ B	<b>3SE5 000-0AF13</b>	1	1 unit	102
<b>Spring rods</b> (for switches with snap-action contacts only)						
Plastic plunger:						
• Length 142.5 mm (spring 50 mm, plunger 50 mm)		B	<b>3SE5 000-0AR01</b>	1	1 unit	102
• Length 76 mm (spring 23.5 mm, plunger 10 mm)		B	<b>3SE5 000-0AR03</b>	1	1 unit	102
• Length 242.5 mm (spring 150 mm, plunger 50 mm)		B	<b>3SE5 000-0AR04</b>	1	1 unit	102
High-grade steel plunger:						
• Length 142.5 mm (spring 50 mm, plunger 50 mm)		B	<b>3SE5 000-0AR02</b>	1	1 unit	102
<b>Twist actuators</b>						
<b>Twist actuators, plastic (without lever)</b>						
Switching right and/or left, adjustable		⊙ A	<b>3SE5 000-0AK00</b>	1	1 unit	102
<b>Levers for twist actuators</b>						
<b>Twist levers 21 mm, straight, type A acc. to EN 50047</b>						
Metal lever, plastic roller	19	⊙ A	<b>3SE5 000-0AA21</b>	1	1 unit	102
Metal lever, high-grade steel roller	19	⊙ B	<b>3SE5 000-0AA22</b>	1	1 unit	102
Metal lever, roller with ball bearing	19	⊙ B	<b>3SE5 000-0AA23</b>	1	1 unit	102
Metal lever, plastic roller	30	⊙ B	<b>3SE5 000-0AA25</b>	1	1 unit	102
High-grade steel lever, plastic roller	19	⊙ B	<b>3SE5 000-0AA31</b>	1	1 unit	102
High-grade steel lever, high-grade steel roller	19	⊙ B	<b>3SE5 000-0AA32</b>	1	1 unit	102
<b>Twist levers 30 mm, straight<sup>1)</sup></b>						
Metal lever, plastic roller	19	⊙ B	<b>3SE5 000-0AA24</b>	1	1 unit	102
Metal lever, plastic roller	30	⊙ B	<b>3SE5 000-0AA26</b>	1	1 unit	102
<b>Twist levers, adjustable length, with grid hole</b>						
Metal lever, plastic roller	19	⊙ B	<b>3SE5 000-0AA60</b>	1	1 unit	102
Metal lever, high-grade steel roller	19	⊙ B	<b>3SE5 000-0AA61</b>	1	1 unit	102
Metal lever, plastic roller	50	⊙ B	<b>3SE5 000-0AA67</b>	1	1 unit	102
Metal lever, rubber roller	50	⊙ B	<b>3SE5 000-0AA68</b>	1	1 unit	102
High-grade steel lever, plastic roller	19	⊙ B	<b>3SE5 000-0AA62</b>	1	1 unit	102
High-grade steel lever, high-grade steel roller	19	⊙ B	<b>3SE5 000-0AA63</b>	1	1 unit	102
<b>Twist levers, adjustable length</b>						
Metal lever, plastic roller	19	A	<b>3SE5 000-0AA50</b>	1	1 unit	102
Metal lever, high-grade steel roller	19	B	<b>3SE5 000-0AA51</b>	1	1 unit	102
Metal lever, plastic roller	30	B	<b>3SE5 000-0AA55</b>	1	1 unit	102
Metal lever, plastic roller	50	B	<b>3SE5 000-0AA57</b>	1	1 unit	102



## 3SE5, 3SE2 Position Switches

**3SE5, molded-plastic enclosures**  
Ambient temperature up to  $-40\text{ °C}$

### Ordering data

Degree of protection IP65 or IP66/IP67 · Cable entry M20 × 1.5

Version	Contacts	LEDs	DT	Complete units	PU (UNIT, SET, M)	PS*	PG
				Order No.	Price per PU		
<b>s<sup>1)</sup> • Enclosure width 31 mm</b>							
<b>Twist levers, type A acc. to EN 50047</b>							
<b>With high-grade steel lever 21 mm and plastic roller 19 mm</b>							
Snap-action contacts	1 NO + 1 NC --		⊕ A	<b>3SE5 232-0CK31-1AJ0</b>	1	1 unit	102
<b>Twist levers, adjustable length</b>							
<b>With high-grade steel lever with grid hole and plastic roller 19 mm</b>							
Snap-action contacts	1 NO + 1 NC --		⊕ A	<b>3SE5 232-0CK62-1AJ0</b>	1	1 unit	102
Snap-action contacts	1 NO + 2 NC --		⊕ B	<b>3SE5 232-0LK62-1AJ0</b>	1	1 unit	102
<b>s<sup>1)</sup> • Enclosure width 50 mm</b>							
<b>Twist levers</b>							
<b>With metal lever 21 mm and plastic roller 19 mm</b>							
Snap-action contacts, integrated <sup>2)</sup>	1 NO + 1 NC --		⊕ B	<b>3SE5 242-0HK21-1AJ0</b>	1	1 unit	102
<b>Twist levers, adjustable length</b>							
<b>With high-grade steel lever with grid hole and plastic roller 19 mm</b>							
Snap-action contacts, integrated <sup>2)</sup>	1 NO + 1 NC --		⊕ B	<b>3SE5 242-0HK62-1AJ0</b>	1	1 unit	102




Degree of protection IP65 or IP66/IP67 · Cable entry M20 × 1.5

Version	Contacts	LEDs	DT	Modular system	PU (UNIT, SET, M)	PS*	PG
				Order No.	Price per PU		
<b>s • Enclosure width 31 mm (with rounded plunger<sup>1)</sup>)</b>							
<b>With teflon plunger</b>							
Snap-action contacts	1 NO + 1 NC --		⊕ B	<b>3SE5 232-0CC05-1AJ0</b>	1	1 unit	102
Slow-action contacts	1 NO + 2 NC --		⊕ B	<b>3SE5 232-0KC05-1AJ0</b>	1	1 unit	102
Snap-action contacts	1 NO + 2 NC --		⊕ B	<b>3SE5 232-0LC05-1AJ0</b>	1	1 unit	102

## 5, 3SE2 Position Switches

and-plastic enclosures  
temperature up to -40 °C

Version	Diameter	DT	Modular system		PU (UNIT, SET, M)	PS*	PG
	mm		Order No.	Price per PU			
<b>Mechanisms</b>							
<b>Roller plungers, type C acc. to EN 50047</b>							
Plastic rollers	10	⊙ B	<b>3SE5 000-0AD03-1AJ0</b>		1	1 unit	102
<b>Roller levers, type E acc. to EN 50047</b>							
Metal lever, plastic roller	13	⊙ B	<b>3SE5 000-0AE10-1AJ0</b>		1	1 unit	102
High-grade steel lever, plastic roller	13	⊙ B	<b>3SE5 000-0AE12-1AJ0</b>		1	1 unit	102
<b>Angular roller levers</b>							
Metal lever, plastic roller	13	⊙ B	<b>3SE5 000-0AF10-1AJ0</b>		1	1 unit	102
High-grade steel lever, plastic roller	13	⊙ B	<b>3SE5 000-0AF12-1AJ0</b>		1	1 unit	102
<b>Twist actuators</b>							
<b>Twist actuators, plastic (without lever)</b>							
Switching right and/or left, adjustable		⊙ B	<b>3SE5 000-0AK00-1AJ0</b>		1	1 unit	102
<b>Levers for twist actuators</b>							
<b>Twist levers straight, 21 mm, type A acc. to EN 50047</b>							
Metal lever, plastic roller	19	⊙ B	<b>3SE5 000-0AA21-1AJ0</b>		1	1 unit	102
High-grade steel lever, plastic roller	19	⊙ B	<b>3SE5 000-0AA31-1AJ0</b>		1	1 unit	102
<b>Twist levers, adjustable length, with grid hole</b>							
Metal lever, plastic roller	19	⊙ B	<b>3SE5 000-0AA60-1AJ0</b>		1	1 unit	102
High-grade steel lever, plastic roller	19	⊙ B	<b>3SE5 000-0AA62-1AJ0</b>		1	1 unit	102

actuator, necessary in safety circuits.

## 3SE5, 3SE2 Position Switches

**3SE5, metal enclosures**  
Enclosure width 31 mm according to EN 50047

### Ordering data

· Degree of protection IP66/IP67 · Cable entry M20 × 1.5

Version	Contacts	LEDs	DT	Complete units	<input type="checkbox"/>	PU (UNIT, SET, M)	PS*	PG
				Order No.	Price per PU			
<b>s<sup>1)</sup> • Enclosure width 31 mm</b>								
<b>Rounded plungers, type B, acc. to EN 50047</b>								
<b>With plunger</b>								
Slow-action contacts	1 NO + 1 NC --		⊕ A	<b>3SE5 212-0BC05</b>		1	1 unit	102
Snap-action contacts	1 NO + 1 NC --		⊕ A	<b>3SE5 212-0CC05</b>		1	1 unit	102
Slow-action contacts	1 NO + 2 NC --		⊕ A	<b>3SE5 212-0KC05</b>		1	1 unit	102
Snap-action contacts	1 NO + 2 NC --		⊕ A	<b>3SE5 212-0LC05</b>		1	1 unit	102
Slow-action contacts with make-before-break	1 NO + 2 NC --		⊕ A	<b>3SE5 212-0MC05</b>		1	1 unit	102
Slow-action contacts	2 NO + 1 NC --		⊕ A	<b>3SE5 212-0PC05</b>		1	1 unit	102
<b>With increased corrosion protection</b>								
Slow-action contacts	1 NO + 1 NC --		⊕ B	<b>3SE5 212-0BC05-1CA0</b>		1	1 unit	102
Snap-action contacts	1 NO + 1 NC --		⊕ B	<b>3SE5 212-0CC05-1CA0</b>		1	1 unit	102
Slow-action contacts	1 NO + 2 NC --		⊕ B	<b>3SE5 212-0KC05-1CA0</b>		1	1 unit	102
Snap-action contacts	1 NO + 2 NC --		⊕ B	<b>3SE5 212-0LC05-1CA0</b>		1	1 unit	102
Slow-action contacts with make-before-break	1 NO + 2 NC --		⊕ B	<b>3SE5 212-0MC05-1CA0</b>		1	1 unit	102
Slow-action contacts	2 NO + 1 NC --		⊕ B	<b>3SE5 212-0PC05-1CA0</b>		1	1 unit	102
<b>With M12 connector socket, 5-pole (125 V, 4 A)</b>								
Slow-action contacts	1 NO + 1 NC --		⊕ B	<b>3SE5 214-0BC05-1AC5</b>		1	1 unit	102
Snap-action contacts	1 NO + 1 NC --		⊕ B	<b>3SE5 214-0CC05-1AC5</b>		1	1 unit	102
Slow-action contacts	2 NC --		⊕ B	<b>3SE5 214-0KC05-1AE1</b>		1	1 unit	102
Snap-action contacts	2 NC --		⊕ B	<b>3SE5 214-0LC05-1AE1</b>		1	1 unit	102
<b>With 2 LEDs, yellow/green</b>								
Slow-action contacts	1 NO + 2 NC 24 V DC		⊕ B	<b>3SE5 212-1KC05</b>		1	1 unit	102
Snap-action contacts	1 NO + 2 NC 24 V DC		⊕ A	<b>3SE5 212-1LC05</b>		1	1 unit	102
Slow-action contacts	1 NO + 2 NC 230 V AC		⊕ B	<b>3SE5 212-3KC05</b>		1	1 unit	102
Snap-action contacts	1 NO + 2 NC 230 V AC		⊕ B	<b>3SE5 212-3LC05</b>		1	1 unit	102
<b>With M12 connector socket, 5-pole (125 V, 4 A) and 2 LEDs</b>								
Slow-action contacts	1 NO + 1 NC 24 V DC		⊕ B	<b>3SE5 214-1BC05-1AF3</b>		1	1 unit	102
Snap-action contacts	1 NO + 1 NC 24 V DC		⊕ B	<b>3SE5 214-1CC05-1AF3</b>		1	1 unit	102
<b>Plain plungers</b>								
<b>With high-grade steel plunger</b>								
Slow-action contacts	1 NO + 1 NC --		⊕ B	<b>3SE5 212-0BB01</b>		1	1 unit	102
Snap-action contacts	1 NO + 1 NC --		⊕ B	<b>3SE5 212-0CB01</b>		1	1 unit	102
Slow-action contacts	1 NO + 2 NC --		⊕ B	<b>3SE5 212-0KB01</b>		1	1 unit	102
Snap-action contacts	1 NO + 2 NC --		⊕ B	<b>3SE5 212-0LB01</b>		1	1 unit	102
<b>Roller plungers, type C acc. to EN 50047</b>								
<b>With plastic roller 10 mm</b>								
Slow-action contacts	1 NO + 1 NC --		⊕ A	<b>3SE5 212-0BD03</b>		1	1 unit	102
Snap-action contacts	1 NO + 1 NC --		⊕ B	<b>3SE5 212-0CD03</b>		1	1 unit	102

# 5, 3SE2 Position Switches

## enclosures width 31 mm according to EN 50047

· Degree of protection IP66/IP67 · Cable entry M20 × 1.5

Version	Contacts	LEDs	DT	Complete units	<input type="checkbox"/>	PU (UNIT, SET, M)	PS*	PG
				Order No.	Price per PU			
<b>s<sup>1)</sup> • Enclosure width 31 mm</b>								
<b>Roller levers, type E acc. to EN 50047</b>								
<b>With metal lever and plastic roller 13 mm</b>								
Slow-action contacts	1 NO + 1 NC --		⊕ A	<b>3SE5 212-0BE10</b>		1	1 unit	102
Snap-action contacts	1 NO + 1 NC --		⊕ B	<b>3SE5 212-0CE10</b>		1	1 unit	102
Slow-action contacts	1 NO + 2 NC --		⊕ B	<b>3SE5 212-0KE10</b>		1	1 unit	102
Snap-action contacts	1 NO + 2 NC --		⊕ B	<b>3SE5 212-0LE10</b>		1	1 unit	102
<b>Angular roller levers</b>								
<b>With metal lever and plastic roller 13 mm</b>								
Slow-action contacts	1 NO + 1 NC --		⊕ B	<b>3SE5 212-0BF10</b>		1	1 unit	102
Snap-action contacts	1 NO + 1 NC --		⊕ B	<b>3SE5 212-0CF10</b>		1	1 unit	102
Slow-action contacts	1 NO + 2 NC --		⊕ B	<b>3SE5 212-0KF10</b>		1	1 unit	102
Snap-action contacts	1 NO + 2 NC --		⊕ B	<b>3SE5 212-0LF10</b>		1	1 unit	102
<b>Twist levers, type A acc. to EN 50047</b>								
<b>With metal lever 21 mm and plastic roller 19 mm</b>								
Slow-action contacts	1 NO + 1 NC --		⊕ A	<b>3SE5 212-0BK21</b>		1	1 unit	102
Snap-action contacts	1 NO + 1 NC --		⊕ A	<b>3SE5 212-0CK21</b>		1	1 unit	102
Slow-action contacts	1 NO + 2 NC --		⊕ B	<b>3SE5 212-0KK21</b>		1	1 unit	102
Snap-action contacts	1 NO + 2 NC --		⊕ B	<b>3SE5 212-0LK21</b>		1	1 unit	102
<b>Twist levers, adjustable length</b>								
<b>With metal lever with grid hole and plastic roller 19 mm</b>								
Snap-action contacts	1 NO + 1 NC --		⊕ A	<b>3SE5 212-0CK60</b>		1	1 unit	102
Slow-action contacts	1 NO + 2 NC --		⊕ B	<b>3SE5 212-0KK60</b>		1	1 unit	102
Snap-action contacts	1 NO + 2 NC --		⊕ B	<b>3SE5 212-0LK60</b>		1	1 unit	102
<b>With metal lever and plastic roller 19 mm</b>								
Slow-action contacts	1 NO + 1 NC --		A	<b>3SE5 212-0BK50</b>		1	1 unit	102
Snap-action contacts	1 NO + 1 NC --		B	<b>3SE5 212-0CK50</b>		1	1 unit	102
Snap-action contacts	1 NO + 2 NC --		B	<b>3SE5 212-0LK50</b>		1	1 unit	102

g according to IEC 60947-5-1, Appendix K.

s.

*Note: If the device you require is not available as a complete unit, see "Modular system" on the next page.*

## 3SE5, 3SE2 Position Switches

**3SE5, metal enclosures**  
Enclosure width 31 mm according to EN 50047

m

· Degree of protection IP66/IP67 · Cable entry M20 × 1.5

Version	Contacts	LEDs	DT	Modular system	PU (UNIT, SET, M)	PS*	PG
				Order No.	Price per PU		
<b>Enclosure width 31 mm (with rounded plunger<sup>1)</sup>)</b>							
<b>With plunger</b>							
Slow-action contacts	1 NO + 1 NC --		⊕ A	<b>3SE5 212-0BC05</b>	1	1 unit	102
Snap-action contacts	1 NO + 1 NC --		⊕ A	<b>3SE5 212-0CC05</b>	1	1 unit	102
Slow-action contacts	1 NO + 2 NC --		⊕ A	<b>3SE5 212-0KC05</b>	1	1 unit	102
Snap-action contacts	1 NO + 2 NC --		⊕ A	<b>3SE5 212-0LC05</b>	1	1 unit	102
Slow-action contacts with make-before-break	1 NO + 2 NC --		⊕ A	<b>3SE5 212-0MC05</b>	1	1 unit	102
Slow-action contacts	2 NO + 1 NC --		⊕ A	<b>3SE5 212-0PC05</b>	1	1 unit	102
<b>With increased corrosion protection<sup>2)</sup></b>							
Slow-action contacts	1 NO + 1 NC --		⊕ B	<b>3SE5 212-0BC05-1CA0</b>	1	1 unit	102
Snap-action contacts	1 NO + 1 NC --		⊕ B	<b>3SE5 212-0CC05-1CA0</b>	1	1 unit	102
Slow-action contacts	1 NO + 2 NC --		⊕ B	<b>3SE5 212-0KC05-1CA0</b>	1	1 unit	102
Snap-action contacts	1 NO + 2 NC --		⊕ B	<b>3SE5 212-0LC05-1CA0</b>	1	1 unit	102
Slow-action contacts with make-before-break	1 NO + 2 NC --		⊕ B	<b>3SE5 212-0MC05-1CA0</b>	1	1 unit	102
Slow-action contacts	2 NO + 1 NC --		⊕ B	<b>3SE5 212-0PC05-1CA0</b>	1	1 unit	102
<b>With M12 connector socket, 5-pole (125 V, 4 A)</b>							
Slow-action contacts	1 NO + 1 NC --		⊕ B	<b>3SE5 214-0BC05-1AC5</b>	1	1 unit	102
Snap-action contacts	1 NO + 1 NC --		⊕ B	<b>3SE5 214-0CC05-1AC5</b>	1	1 unit	102
Slow-action contacts	2 NC --		⊕ B	<b>3SE5 214-0KC05-1AE1</b>	1	1 unit	102
Snap-action contacts	2 NC --		⊕ B	<b>3SE5 214-0LC05-1AE1</b>	1	1 unit	102
<b>With 2 LEDs, yellow/green</b>							
Slow-action contacts	1 NO + 2 NC 24 V DC		⊕ B	<b>3SE5 212-1KC05</b>	1	1 unit	102
Snap-action contacts	1 NO + 2 NC 24 V DC		⊕ A	<b>3SE5 212-1LC05</b>	1	1 unit	102
Slow-action contacts	1 NO + 2 NC 230 V AC		⊕ B	<b>3SE5 212-3KC05</b>	1	1 unit	102
Snap-action contacts	1 NO + 2 NC 230 V AC		⊕ B	<b>3SE5 212-3LC05</b>	1	1 unit	102
<b>With M12 connector socket, 5-pole (125 V, 4 A) and 2 LEDs</b>							
Slow-action contacts	1 NO + 1 NC 24 V DC		⊕ B	<b>3SE5 214-1BC05-1AF3</b>	1	1 unit	102
Snap-action contacts	1 NO + 1 NC 24 V DC		⊕ B	<b>3SE5 214-1CC05-1AF3</b>	1	1 unit	102

g according to IEC 60947-5-1, Appendix K, or  
a actuator, necessary in safety circuits.

width 31 mm the basic switch is a complete unit with  
r.

ing high-grade steel lever.

*Note: For selection aid, see page 9/12.*



# 5, 3SE2 Position Switches

## enclosures width 31 mm according to EN 50047

Version	Diameter	DT	Modular system	PU (UNIT, SET, M)	PS*	PG
	mm		Order No.	Price per PU		
<b>Mechanisms</b>						
<b>Roller plungers with central fixing</b>						
Plastic rollers	10	⊕ B	<b>3SE5 000-0AD10</b>	1	1 unit	102
High-grade steel rollers	10	⊕ B	<b>3SE5 000-0AD11</b>	1	1 unit	102
<b>Roller levers, type E acc. to EN 50047</b>						
Metal lever, plastic roller	13	⊕ A	<b>3SE5 000-0AE10</b>	1	1 unit	102
Metal lever, high-grade steel roller	13	⊕ B	<b>3SE5 000-0AE11</b>	1	1 unit	102
High-grade steel lever, plastic roller	13	⊕ B	<b>3SE5 000-0AE12</b>	1	1 unit	102
High-grade steel lever, high-grade steel roller	13	⊕ B	<b>3SE5 000-0AE13</b>	1	1 unit	102
<b>Angular roller levers</b>						
Metal lever, plastic roller	13	⊕ A	<b>3SE5 000-0AF10</b>	1	1 unit	102
Metal lever, high-grade steel roller	13	⊕ B	<b>3SE5 000-0AF11</b>	1	1 unit	102
High-grade steel lever, plastic roller	13	⊕ A	<b>3SE5 000-0AF12</b>	1	1 unit	102
High-grade steel lever, high-grade steel roller	13	⊕ B	<b>3SE5 000-0AF13</b>	1	1 unit	102
<b>Spring rods (for switches with snap-action contacts only)</b>						
Plastic plunger:						
• Length 142.5 mm (spring 50 mm, plunger 50 mm)		B	<b>3SE5 000-0AR01</b>	1	1 unit	102
• Length 76 mm (spring 23.5 mm, plunger 10 mm)		B	<b>3SE5 000-0AR03</b>	1	1 unit	102
• Length 242.5 mm (spring 150 mm, plunger 50 mm)		B	<b>3SE5 000-0AR04</b>	1	1 unit	102
High-grade steel plunger:						
• Length 142.5 mm (spring 50 mm, plunger 50 mm)		B	<b>3SE5 000-0AR02</b>	1	1 unit	102
<b>Twist actuators, plastic (without lever)</b>						
Switching right and/or left, adjustable		⊕ A	<b>3SE5 000-0AK00</b>	1	1 unit	102
<b>Levers for twist actuators</b>						
<b>Twist levers, straight, type A acc. to EN 50047</b>						
Metal lever 21 mm, plastic roller	19	⊕ A	<b>3SE5 000-0AA21</b>	1	1 unit	102
Metal lever 21 mm, high-grade steel roller	19	⊕ B	<b>3SE5 000-0AA22</b>	1	1 unit	102
Metal lever 21 mm, roller with ball bearing	19	⊕ B	<b>3SE5 000-0AA23</b>	1	1 unit	102
Metal lever 21 mm, plastic roller	30	⊕ B	<b>3SE5 000-0AA25</b>	1	1 unit	102
High-grade steel lever 21 mm, plastic roller	19	⊕ B	<b>3SE5 000-0AA31</b>	1	1 unit	102
High-grade steel lever 21 mm, high-grade steel roller	19	⊕ B	<b>3SE5 000-0AA32</b>	1	1 unit	102
<b>Twist levers 30 mm, straight<sup>1)</sup></b>						
Metal lever, plastic roller	19	⊕ B	<b>3SE5 000-0AA24</b>	1	1 unit	102
Metal lever, plastic roller	30	⊕ B	<b>3SE5 000-0AA26</b>	1	1 unit	102
<b>Twist levers, adjustable length, with grid hole</b>						
Metal lever, plastic roller	19	⊕ B	<b>3SE5 000-0AA60</b>	1	1 unit	102
Metal lever, high-grade steel roller	19	⊕ B	<b>3SE5 000-0AA61</b>	1	1 unit	102
Metal lever, plastic roller	50	⊕ B	<b>3SE5 000-0AA67</b>	1	1 unit	102
Metal lever, rubber roller	50	⊕ B	<b>3SE5 000-0AA68</b>	1	1 unit	102
High-grade steel lever, plastic roller	19	⊕ B	<b>3SE5 000-0AA62</b>	1	1 unit	102
High-grade steel lever, high-grade steel roller	19	⊕ B	<b>3SE5 000-0AA63</b>	1	1 unit	102

## 3SE5, 3SE2 Position Switches

**3SE5, metal enclosures**  
Enclosure width 40 mm according to EN 50041

### Ordering data

· Degree of protection IP66/IP67 · Cable entry M20 × 1.5

Version	Contacts	LEDs	DT	Complete units	<input type="checkbox"/>	PU (UNIT, SET, M)	PS*	PG
				Order No.	Price per PU			
<b>s<sup>1)</sup> • Enclosure width 40 mm</b>								
<b>Plain plungers</b>								
<b>With high-grade steel plunger</b>								
Slow-action contacts	1 NO + 1 NC --		⊕ A	<b>3SE5 112-0BB01</b>		1	1 unit	102
Snap-action contacts	1 NO + 1 NC --		⊕ A	<b>3SE5 112-0CB01</b>		1	1 unit	102
Slow-action contacts	1 NO + 2 NC --		⊕ B	<b>3SE5 112-0KB01</b>		1	1 unit	102
Snap-action contacts	1 NO + 2 NC --		⊕ B	<b>3SE5 112-0LB01</b>		1	1 unit	102
<b>Rounded plungers, type B acc. to EN 50041</b>								
<b>With high-grade steel plungers, with 3 mm overtravel</b>								
Slow-action contacts	1 NO + 1 NC --		⊕ B	<b>3SE5 112-0BC02</b>		1	1 unit	102
Snap-action contacts	1 NO + 1 NC --		⊕ ►	<b>3SE5 112-0CC02</b>		1	1 unit	102
Slow-action contacts	1 NO + 2 NC --		⊕ B	<b>3SE5 112-0KC02</b>		1	1 unit	102
Snap-action contacts	1 NO + 2 NC --		⊕ B	<b>3SE5 112-0LC02</b>		1	1 unit	102
<b>Roller plungers, type C acc. to EN 50041</b>								
<b>With high-grade steel roller 13 mm, with 3 mm overtravel</b>								
Slow-action contacts	1 NO + 1 NC --		⊕ B	<b>3SE5 112-0BD02</b>		1	1 unit	102
Snap-action contacts	1 NO + 1 NC --		⊕ ►	<b>3SE5 112-0CD02</b>		1	1 unit	102
Slow-action contacts	1 NO + 2 NC --		⊕ B	<b>3SE5 112-0KD02</b>		1	1 unit	102
Snap-action contacts	1 NO + 2 NC --		⊕ B	<b>3SE5 112-0LD02</b>		1	1 unit	102
<b>With M12 connector socket, 5-pole (125 V, 4 A) and 2 LEDs</b>								
Snap-action contacts	1 NO + 1 NC	24 V DC	⊕ B	<b>3SE5 114-1CD02-1AF3</b>		1	1 unit	102
<b>Roller levers</b>								
<b>With metal lever and plastic roller 22 mm</b>								
Slow-action contacts	1 NO + 1 NC --		⊕ B	<b>3SE5 112-0BE01</b>		1	1 unit	102
Snap-action contacts	1 NO + 1 NC --		⊕ ►	<b>3SE5 112-0CE01</b>		1	1 unit	102
Slow-action contacts	1 NO + 2 NC --		⊕ B	<b>3SE5 112-0KE01</b>		1	1 unit	102
Snap-action contacts	1 NO + 2 NC --		⊕ B	<b>3SE5 112-0LE01</b>		1	1 unit	102
<b>Angular roller levers</b>								
<b>With metal lever and plastic roller 22 mm</b>								
Slow-action contacts	1 NO + 1 NC --		⊕ B	<b>3SE5 112-0BF01</b>		1	1 unit	102
Snap-action contacts	1 NO + 1 NC --		⊕ A	<b>3SE5 112-0CF01</b>		1	1 unit	102
Snap-action contacts	1 NO + 2 NC --		⊕ B	<b>3SE5 112-0LF01</b>		1	1 unit	102

# 5, 3SE2 Position Switches

## enclosures width 40 mm according to EN 50041

· Degree of protection IP66/IP67 · Cable entry M20 × 1.5

Version	Contacts	LEDs	DT	Complete units	<input type="checkbox"/>	PU (UNIT, SET, M)	PS*	PG
				Order No.	Price per PU			
<b>s<sup>1)</sup> • Enclosure width 40 mm</b>								
<b>Twist levers, type A acc. to EN 50041</b>								
<b>With metal lever 27 mm and plastic roller 19 mm</b>								
Slow-action contacts	1 NO + 1 NC --		⊕ B	<b>3SE5 112-0BH01</b>		1	1 unit	102
Snap-action contacts	1 NO + 1 NC --		⊕ ▶	<b>3SE5 112-0CH01</b>		1	1 unit	102
Slow-action contacts	1 NO + 2 NC --		⊕ B	<b>3SE5 112-0KH01</b>		1	1 unit	102
Snap-action contacts	1 NO + 2 NC --		⊕ B	<b>3SE5 112-0LH01</b>		1	1 unit	102
<b>With M12 connector socket, 5-pole (125 V, 4 A)</b>								
Snap-action contacts	1 NO + 1 NC --		⊕ A	<b>3SE5 114-0CH01-1AC5</b>		1	1 unit	102
<b>With M12 connector socket, 5-pole (125 V, 4 A) and 2 LEDs</b>								
Snap-action contacts	1 NO + 1 NC 24 V DC		⊕ B	<b>3SE5 114-1CH01-1AF3</b>		1	1 unit	102
<b>With metal lever 27 mm and high-grade steel roller 19 mm</b>								
Slow-action contacts	1 NO + 1 NC --		⊕ B	<b>3SE5 112-0BH02</b>		1	1 unit	102
Snap-action contacts	1 NO + 1 NC --		⊕ A	<b>3SE5 112-0CH02</b>		1	1 unit	102
<b>With M12 connector socket, 5-pole (125 V, 4 A) and 2 LEDs</b>								
Snap-action contacts	1 NO + 1 NC --		⊕ B	<b>3SE5 114-1CH02-1AF3</b>		1	1 unit	102
<b>With metal lever 30 mm and plastic roller 19 mm</b>								
Snap-action contacts	1 NO + 1 NC --		⊕ ▶	<b>3SE5 112-0CH24</b>		1	1 unit	102
<b>Twist levers, adjustable length</b>								
<b>With metal lever with grid hole and plastic roller 19 mm</b>								
Slow-action contacts	1 NO + 1 NC --		⊕ B	<b>3SE5 112-0BH60</b>		1	1 unit	102
Snap-action contacts	1 NO + 1 NC --		⊕ ▶	<b>3SE5 112-0CH60</b>		1	1 unit	102
Snap-action contacts	1 NO + 2 NC --		⊕ B	<b>3SE5 112-0LH60</b>		1	1 unit	102
<b>With metal lever and plastic roller 19 mm</b>								
Slow-action contacts	1 NO + 1 NC --		B	<b>3SE5 112-0BH50</b>		1	1 unit	102
Snap-action contacts	1 NO + 1 NC --		▶	<b>3SE5 112-0CH50</b>		1	1 unit	102
Snap-action contacts	1 NO + 2 NC --		B	<b>3SE5 112-0LH50</b>		1	1 unit	102
<b>With M12 connector socket, 8-pole (30 V, 2 A) and 2 LEDs</b>								
Snap-action contacts	1 NO + 2 NC 24 V DC		⊕ B	<b>3SE5 114-1LH50-1AD4</b>		1	1 unit	102
<b>With metal lever and high-grade steel roller 19 mm</b>								
Snap-action contacts	1 NO + 1 NC --		B	<b>3SE5 112-0CH51</b>		1	1 unit	102
<b>Fork levers, latching</b>								
<b>With metal lever and 2 plastic rollers 19 mm</b>								
Snap-action contacts	1 NO + 1 NC --		⊕ B	<b>3SE5 112-0CT11</b>		1	1 unit	102



## 3SE5, 3SE2 Position Switches

**3SE5, metal enclosures**  
Enclosure width 40 mm according to EN 50041

m

· Degree of protection IP66/IP67 · Cable entry M20 × 1.5

Version	Contacts	LEDs	DT	Modular system	PU (UNIT, SET, M)	PS*	PG
				Order No.	Price per PU		
<b>Enclosure width 40 mm</b>							
<b>With M20 × 1.5 connecting thread</b>							
Slow-action contacts	1 NO + 1 NC --		⊕ B	<b>3SE5 112-0BA00</b>	1	1 unit	102
Snap-action contacts	1 NO + 1 NC --		⊕ A	<b>3SE5 112-0CA00</b>	1	1 unit	102
• Gold-plated contacts			⊕ B	<b>3SE5 112-0CA00-1AC1</b>	1	1 unit	102
Slow-action contacts	1 NO + 2 NC --		⊕ A	<b>3SE5 112-0KA00</b>	1	1 unit	102
Snap-action contacts	1 NO + 2 NC --		⊕ A	<b>3SE5 112-0LA00</b>	1	1 unit	102
Slow-action contacts with make-before-break	1 NO + 2 NC --		⊕ A	<b>3SE5 112-0MA00</b>	1	1 unit	102
Slow-action contacts	2 NO + 1 NC --		⊕ A	<b>3SE5 112-0PA00</b>	1	1 unit	102
<b>With increased corrosion protection<sup>1)</sup></b>							
Slow-action contacts	1 NO + 1 NC --		⊕ B	<b>3SE5 112-0BA00-1CA0</b>	1	1 unit	102
Snap-action contacts	1 NO + 1 NC --		⊕ B	<b>3SE5 112-0CA00-1CA0</b>	1	1 unit	102
Slow-action contacts	1 NO + 2 NC --		⊕ B	<b>3SE5 112-0KA00-1CA0</b>	1	1 unit	102
Snap-action contacts	1 NO + 2 NC --		⊕ B	<b>3SE5 112-0LA00-1CA0</b>	1	1 unit	102
Slow-action contacts with make-before-break	1 NO + 2 NC --		⊕ B	<b>3SE5 112-0MA00-1CA0</b>	1	1 unit	102
Slow-action contacts	2 NO + 1 NC --		⊕ B	<b>3SE5 112-0PA00-1CA0</b>	1	1 unit	102
<b>With M12 connector socket, 5-pole (125 V, 4 A)</b>							
Slow-action contacts	1 NO + 1 NC --		⊕ B	<b>3SE5 114-0BA00-1AC5</b>	1	1 unit	102
Snap-action contacts	1 NO + 1 NC --		⊕ B	<b>3SE5 114-0CA00-1AC5</b>	1	1 unit	102
Slow-action contacts	2 NC --		⊕ B	<b>3SE5 114-0KA00-1AE1</b>	1	1 unit	102
Snap-action contacts	2 NC --		⊕ B	<b>3SE5 114-0LA00-1AE1</b>	1	1 unit	102
<b>With connector socket, 6-pole + PE (250 V, 10 A)</b>							
Slow-action contacts	1 NO + 2 NC --		⊕ B	<b>3SE5 115-0KA00-1AD1</b>	1	1 unit	102
Snap-action contacts	1 NO + 2 NC --		⊕ B	<b>3SE5 115-0LA00-1AD1</b>	1	1 unit	102
<b>With connector socket, 6-pole + PE (250 V, 10 A) and quick-release device</b>							
Snap-action contacts	1 NO + 1 NC --		⊕ B	<b>3SE5 115-0CA00-1AD0</b>	1	1 unit	102
<b>With 2 LEDs, yellow/green</b>							
Slow-action contacts	1 NO + 2 NC 24 V DC		⊕ B	<b>3SE5 112-1KA00</b>	1	1 unit	102
Snap-action contacts	1 NO + 2 NC 24 V DC		⊕ B	<b>3SE5 112-1LA00</b>	1	1 unit	102
Slow-action contacts	1 NO + 2 NC 230 V AC		⊕ B	<b>3SE5 112-3KA00</b>	1	1 unit	102
Snap-action contacts	1 NO + 2 NC 230 V AC		⊕ B	<b>3SE5 112-3LA00</b>	1	1 unit	102
<b>With M12 connector socket, 5-pole (125 V, 4 A) and 2 LEDs</b>							
Slow-action contacts	1 NO + 1 NC 24 V DC		⊕ B	<b>3SE5 114-1BA00-1AF3</b>	1	1 unit	102
Snap-action contacts	1 NO + 1 NC 24 V DC		⊕ B	<b>3SE5 114-1CA00-1AF3</b>	1	1 unit	102
<b>With M12 connector socket, 8-pole (30 V, 2 A) and 2 LEDs</b>							
Snap-action contacts	1 NO + 2 NC 24 V DC		⊕ B	<b>3SE5 114-1LA00-1AD4</b>	1	1 unit	102

## 5, 3SE2 Position Switches

### enclosures width 40 mm according to EN 50041

Version	Diameter	DT	Modular system	PU (UNIT, SET, M)	PS*	PG
	mm		Order No.	Price per PU		
<b>Mechanisms</b>						
<b>Plain plungers</b>						
High-grade steel plungers	10	⊙ A	<b>3SE5 000-0AB01</b>	1	1 unit	102
<b>Rounded plungers, type B acc. to EN 50041</b>						
High-grade steel plungers, with 3 mm overtravel	10	⊙ B	<b>3SE5 000-0AC02</b>	1	1 unit	102
<b>Roller plungers, type C acc. to EN 50041</b>						
High-grade steel roller, with 3 mm overtravel	13	⊙ B	<b>3SE5 000-0AD02</b>	1	1 unit	102
<b>Roller levers</b>						
Metal lever, plastic roller	22	⊙ A	<b>3SE5 000-0AE01</b>	1	1 unit	102
Metal lever, high-grade steel roller	22	⊙ B	<b>3SE5 000-0AE02</b>	1	1 unit	102
High-grade steel lever, plastic roller	22	⊙ B	<b>3SE5 000-0AE03</b>	1	1 unit	102
High-grade steel lever, high-grade steel roller	22	⊙ B	<b>3SE5 000-0AE04</b>	1	1 unit	102
<b>Angular roller levers</b>						
Metal lever, plastic roller	22	⊙ A	<b>3SE5 000-0AF01</b>	1	1 unit	102
Metal lever, high-grade steel roller	22	⊙ B	<b>3SE5 000-0AF02</b>	1	1 unit	102
High-grade steel lever, plastic roller	22	⊙ B	<b>3SE5 000-0AF03</b>	1	1 unit	102
High-grade steel lever, high-grade steel roller	22	⊙ B	<b>3SE5 000-0AF04</b>	1	1 unit	102
<b>Spring rods (for switches with snap-action contacts only)</b>						
Plastic plunger:						
• Length 142.5 mm (spring 50 mm, plunger 50 mm)		B	<b>3SE5 000-0AR01</b>	1	1 unit	102
• Length 76 mm (spring 23.5 mm, plunger 10 mm)		B	<b>3SE5 000-0AR03</b>	1	1 unit	102
• Length 242.5 mm (spring 150 mm, plunger 50 mm)		B	<b>3SE5 000-0AR04</b>	1	1 unit	102
High-grade steel plunger:						
• Length 142.5 mm (spring 50 mm, plunger 50 mm)		B	<b>3SE5 000-0AR02</b>	1	1 unit	102
<b>Twist actuators, metal (without lever)</b>						
• For twist levers and rod actuators, switching right and/or left, adjustable		⊙ A	<b>3SE5 000-0AH00</b>	1	1 unit	102
• For fork levers, latching		⊙ B	<b>3SE5 000-0AT10</b>	1	1 unit	102
<b>Levers for twist actuators</b>						
<b>Twist levers, offset, type A acc. to EN 50041</b>						
Metal lever 27 mm, plastic roller	19	⊙ A	<b>3SE5 000-0AA01</b>	1	1 unit	102
Metal lever 27 mm, high-grade steel roller	19	⊙ A	<b>3SE5 000-0AA02</b>	1	1 unit	102
Metal lever 27 mm, roller with ball bearing	19	⊙ B	<b>3SE5 000-0AA03</b>	1	1 unit	102
Metal lever 27 mm, 2 plastic rollers	19	⊙ B	<b>3SE5 000-0AA04</b>	1	1 unit	102
Metal lever 27 mm, plastic roller	30	⊙ B	<b>3SE5 000-0AA05</b>	1	1 unit	102
Metal lever 27 mm, rubber roller	50	⊙ B	<b>3SE5 000-0AA08</b>	1	1 unit	102
High-grade steel lever 27 mm, plastic roller	19	⊙ B	<b>3SE5 000-0AA11</b>	1	1 unit	102
High-grade steel lever 27 mm, high-gr. steel roller	19	⊙ B	<b>3SE5 000-0AA12</b>	1	1 unit	102
Metal lever 35 mm, plastic roller	19	⊙ B	<b>3SE5 000-0AA15</b>	1	1 unit	102
<b>Twist levers 30 mm, straight<sup>1)</sup></b>						
Metal lever, plastic roller	19	⊙ B	<b>3SE5 000-0AA24</b>	1	1 unit	102
<b>Twist levers, adjustable length, with grid hole</b>						
Metal lever, plastic roller	19	⊙ B	<b>3SE5 000-0AA60</b>	1	1 unit	102
Metal lever, high-grade steel roller	19	⊙ B	<b>3SE5 000-0AA61</b>	1	1 unit	102
Metal lever, rubber roller	50	⊙ B	<b>3SE5 000-0AA68</b>	1	1 unit	102
High-grade steel lever, plastic roller	19	⊙ B	<b>3SE5 000-0AA62</b>	1	1 unit	102
High-grade steel lever, high-grade steel roller	19	⊙ B	<b>3SE5 000-0AA63</b>	1	1 unit	102
<b>Twist levers, adjustable length</b>						

## 3SE5, 3SE2 Position Switches

**3SE5, metal enclosures**  
Enclosure width 56 mm

### Ordering data

Degree of protection IP66/IP67 · Cable entry 3 × (M20 × 1.5)

Version	Contacts	LEDs	DT	Complete units	<input type="checkbox"/>	PU (UNIT, SET, M)	PS*	PG
				Order No.	Price per PU			
<b>s<sup>1)</sup> · Enclosure width 56 mm</b>								
<b>Plain plungers</b>								
<b>With high-grade steel plunger</b>								
Slow-action contacts	1 NO + 1 NC --		⊕ B	<b>3SE5 122-0BB01</b>		1	1 unit	102
Snap-action contacts	1 NO + 1 NC --		⊕ B	<b>3SE5 122-0CB01</b>		1	1 unit	102
Slow-action contacts	1 NO + 2 NC --		⊕ B	<b>3SE5 122-0KB01</b>		1	1 unit	102
Snap-action contacts	1 NO + 2 NC --		⊕ B	<b>3SE5 122-0LB01</b>		1	1 unit	102
<b>Rounded plungers</b>								
<b>With high-grade steel plungers, with 3 mm overtravel</b>								
Slow-action contacts	1 NO + 1 NC --		⊕ B	<b>3SE5 122-0BC02</b>		1	1 unit	102
Snap-action contacts	1 NO + 1 NC --		⊕ ▶ B	<b>3SE5 122-0CC02</b>		1	1 unit	102
Slow-action contacts	1 NO + 2 NC --		⊕ B	<b>3SE5 122-0KC02</b>		1	1 unit	102
Snap-action contacts	1 NO + 2 NC --		⊕ B	<b>3SE5 122-0LC02</b>		1	1 unit	102
<b>Roller plungers</b>								
<b>With high-grade steel roller 13 mm, with 3 mm overtravel</b>								
Slow-action contacts	1 NO + 1 NC --		⊕ B	<b>3SE5 122-0BD02</b>		1	1 unit	102
Snap-action contacts	1 NO + 1 NC --		⊕ A	<b>3SE5 122-0CD02</b>		1	1 unit	102
Slow-action contacts	1 NO + 2 NC --		⊕ B	<b>3SE5 122-0KD02</b>		1	1 unit	102
Snap-action contacts	1 NO + 2 NC --		⊕ B	<b>3SE5 122-0LD02</b>		1	1 unit	102
<b>Roller levers</b>								
<b>With metal lever and plastic roller 22 mm</b>								
Slow-action contacts	1 NO + 1 NC --		⊕ B	<b>3SE5 122-0BE01</b>		1	1 unit	102
Snap-action contacts	1 NO + 1 NC --		⊕ A	<b>3SE5 122-0CE01</b>		1	1 unit	102
Slow-action contacts	1 NO + 2 NC --		⊕ B	<b>3SE5 122-0KE01</b>		1	1 unit	102
Snap-action contacts	1 NO + 2 NC --		⊕ B	<b>3SE5 122-0LE01</b>		1	1 unit	102
<b>With metal lever and high-grade steel roller 22 mm</b>								
Snap-action contacts	1 NO + 1 NC --		⊕ B	<b>3SE5 122-0CE02</b>		1	1 unit	102
<b>Angular roller levers</b>								
<b>With metal lever and plastic roller 22 mm</b>								
Slow-action contacts	1 NO + 1 NC --		⊕ B	<b>3SE5 122-0BF01</b>		1	1 unit	102
Snap-action contacts	1 NO + 1 NC --		⊕ B	<b>3SE5 122-0CF01</b>		1	1 unit	102

## 5, 3SE2 Position Switches

### enclosures width 56 mm

· Degree of protection IP66/IP67 · Cable entry 3 × (M20 × 1.5)

Version	Contacts	LEDs	DT	Complete units	<input type="checkbox"/>	PU (UNIT, SET, M)	PS*	PG
				Order No.	Price per PU			
<b>s<sup>1)</sup> • Enclosure width 56 mm</b>								
<b>Twist levers</b>								
<b>With metal lever 27 mm and plastic roller 19 mm</b>								
Slow-action contacts	1 NO + 1 NC --		⊕ B	<b>3SE5 122-0BH01</b>		1	1 unit	102
Snap-action contacts	1 NO + 1 NC --		⊕ A	<b>3SE5 122-0CH01</b>		1	1 unit	102
Slow-action contacts	1 NO + 2 NC --		⊕ B	<b>3SE5 122-0KH01</b>		1	1 unit	102
Snap-action contacts	1 NO + 2 NC --		⊕ B	<b>3SE5 122-0LH01</b>		1	1 unit	102
<b>With metal lever 27 mm and high-grade steel roller 19 mm</b>								
Snap-action contacts	1 NO + 1 NC --		⊕ B	<b>3SE5 122-0CH02</b>		1	1 unit	102
Snap-action contacts	1 NO + 2 NC --		⊕ B	<b>3SE5 122-0LH02</b>		1	1 unit	102
<b>Twist levers, adjustable length</b>								
<b>With metal lever with grid hole and plastic roller 19 mm</b>								
Slow-action contacts	1 NO + 1 NC --		⊕ B	<b>3SE5 122-0BH60</b>		1	1 unit	102
Snap-action contacts	1 NO + 1 NC --		⊕ A	<b>3SE5 122-0CH60</b>		1	1 unit	102
Snap-action contacts	1 NO + 2 NC --		⊕ B	<b>3SE5 122-0LH60</b>		1	1 unit	102
<b>With metal lever and plastic roller 19 mm</b>								
Slow-action contacts	1 NO + 1 NC --		B	<b>3SE5 122-0BH50</b>		1	1 unit	102
Snap-action contacts	1 NO + 1 NC --		A	<b>3SE5 122-0CH50</b>		1	1 unit	102
Snap-action contacts	1 NO + 2 NC --		B	<b>3SE5 122-0LH50</b>		1	1 unit	102
<b>Fork levers, latching</b>								
<b>With metal lever and 2 plastic rollers 19 mm</b>								
Snap-action contacts	1 NO + 1 NC --		⊕ B	<b>3SE5 122-0CT11</b>		1	1 unit	102
<b>Rod actuators</b>								
<b>With aluminum rod, length 200 mm</b>								
Snap-action contacts	1 NO + 1 NC --		B	<b>3SE5 122-0CH80</b>		1	1 unit	102
<b>With plastic rod, length 200 mm</b>								
Snap-action contacts	1 NO + 1 NC --		B	<b>3SE5 122-0CH82</b>		1	1 unit	102

## 3SE5, 3SE2 Position Switches

### 3SE5, metal enclosures Enclosure width 56 mm

m

· Degree of protection IP66/IP67 · Cable entry 3 × (M20 × 1.5)

Version	Contacts	LEDs	DT	Modular system	PU (UNIT, SET, M)	PS*	PG
				Order No.	Price per PU		
<b>Enclosure width 56 mm</b>							
<b>With 3 x M20 x 1.5 connecting thread</b>							
Slow-action contacts	1 NO + 1 NC --		⊕ A	<b>3SE5 122-0BA00</b>	1	1 unit	102
Snap-action contacts	1 NO + 1 NC --		⊕ A	<b>3SE5 122-0CA00</b>	1	1 unit	102
Slow-action contacts	1 NO + 2 NC --		⊕ B	<b>3SE5 122-0KA00</b>	1	1 unit	102
Snap-action contacts	1 NO + 2 NC --		⊕ A	<b>3SE5 122-0LA00</b>	1	1 unit	102
Slow-action contacts with make-before-break	1 NO + 2 NC --		⊕ A	<b>3SE5 122-0MA00</b>	1	1 unit	102
Slow-action contacts	2 NO + 1 NC --		⊕ A	<b>3SE5 122-0PA00</b>	1	1 unit	102
<b>With increased corrosion protection<sup>1)</sup></b>							
Slow-action contacts	1 NO + 1 NC --		⊕ B	<b>3SE5 122-0BA00-1CA0</b>	1	1 unit	102
Snap-action contacts	1 NO + 1 NC --		⊕ B	<b>3SE5 122-0CA00-1CA0</b>	1	1 unit	102
Slow-action contacts	1 NO + 2 NC --		⊕ B	<b>3SE5 122-0KA00-1CA0</b>	1	1 unit	102
Snap-action contacts	1 NO + 2 NC --		⊕ B	<b>3SE5 122-0LA00-1CA0</b>	1	1 unit	102
Slow-action contacts with make-before-break	1 NO + 2 NC --		⊕ B	<b>3SE5 122-0MA00-1CA0</b>	1	1 unit	102
Slow-action contacts	2 NO + 1 NC --		⊕ B	<b>3SE5 122-0PA00-1CA0</b>	1	1 unit	102
<b>With 2 LEDs, yellow/green</b>							
Slow-action contacts	1 NO + 2 NC 24 V DC		⊕ B	<b>3SE5 122-1KA00</b>	1	1 unit	102
Snap-action contacts	1 NO + 2 NC 24 V DC		⊕ B	<b>3SE5 122-1LA00</b>	1	1 unit	102
Slow-action contacts	1 NO + 2 NC 230 V AC		⊕ B	<b>3SE5 122-3KA00</b>	1	1 unit	102
Snap-action contacts	1 NO + 2 NC 230 V AC		⊕ B	<b>3SE5 122-3LA00</b>	1	1 unit	102

g according to IEC 60947-5-1, Appendix K, or  
a actuator, necessary in safety circuits.


ing high-grade steel lever.

*Note: For selection aid, see page 9/12.*

Version	Diameter	DT	Modular system	PU (UNIT, SET, M)	PS*	PG
				Order No.	Price per PU	
<b>Mechanisms</b>						
<b>Plain plungers</b>						
High-grade steel plungers	10	⊕ A	<b>3SE5 000-0AB01</b>	1	1 unit	102
<b>Rounded plungers, type B acc. to EN 50041</b>						
High-grade steel plungers, with 3 mm overtravel	10	⊕ B	<b>3SE5 000-0AC02</b>	1	1 unit	102
<b>Roller plungers, type C acc. to EN 50041</b>						
High-grade steel roller, with 3 mm overtravel	13	⊕ B	<b>3SE5 000-0AD02</b>	1	1 unit	102
<b>Roller levers</b>						
Metal lever, plastic roller	22	⊕ A	<b>3SE5 000-0AE01</b>	1	1 unit	102
Metal lever, high-grade steel roller	22	⊕ B	<b>3SE5 000-0AE02</b>	1	1 unit	102
High-grade steel lever, plastic roller	22	⊕ B	<b>3SE5 000-0AE03</b>	1	1 unit	102
High-grade steel lever, high-grade steel roller	22	⊕ B	<b>3SE5 000-0AE04</b>	1	1 unit	102

## 5, 3SE2 Position Switches

enclosures  
width 56 mm

Version	Diameter	DT	Modular system		PU (UNIT, SET, M)	PS*	PG
	mm		Order No.	Price per PU			
<b>Twist actuators, metal (without lever)</b>							
• For twist levers and rod actuators, switching right and/or left, adjustable		⊞ A	<b>3SE5 000-0AH00</b>		1	1 unit	102
• For fork levers, latching		⊞ B	<b>3SE5 000-0AT10</b>		1	1 unit	102
<b>Levers for twist actuators</b>							
<b>Twist levers 27 mm, offset, type A acc. to EN 50041</b>							
Metal lever, plastic roller	19	⊞ A	<b>3SE5 000-0AA01</b>		1	1 unit	102
Metal lever, high-grade steel roller	19	⊞ A	<b>3SE5 000-0AA02</b>		1	1 unit	102
Metal lever, roller with ball bearing	19	⊞ B	<b>3SE5 000-0AA03</b>		1	1 unit	102
Metal lever, 2 plastic rollers	19	⊞ B	<b>3SE5 000-0AA04</b>		1	1 unit	102
Metal lever, plastic roller	30	⊞ B	<b>3SE5 000-0AA05</b>		1	1 unit	102
Metal lever, plastic roller	50	⊞ B	<b>3SE5 000-0AA07</b>		1	1 unit	102
Metal lever, rubber roller	50	⊞ B	<b>3SE5 000-0AA08</b>		1	1 unit	102
High-grade steel lever, plastic roller	19	⊞ B	<b>3SE5 000-0AA11</b>		1	1 unit	102
High-grade steel lever, high-grade steel roller	19	⊞ B	<b>3SE5 000-0AA12</b>		1	1 unit	102
<b>Twist levers 35 mm, offset</b>							
Metal lever, plastic roller	19	⊞ B	<b>3SE5 000-0AA15</b>		1	1 unit	102
<b>Twist levers 30 mm, straight<sup>1)</sup></b>							
Metal lever, plastic roller	19	⊞ B	<b>3SE5 000-0AA24</b>		1	1 unit	102
Metal lever, plastic roller	30	⊞ B	<b>3SE5 000-0AA26</b>		1	1 unit	102
<b>Twist levers, adjustable length, with grid hole</b>							
Metal lever, plastic roller	19	⊞ B	<b>3SE5 000-0AA60</b>		1	1 unit	102
Metal lever, high-grade steel roller	19	⊞ B	<b>3SE5 000-0AA61</b>		1	1 unit	102
Metal lever, plastic roller	50	⊞ B	<b>3SE5 000-0AA67</b>		1	1 unit	102
Metal lever, rubber roller	50	⊞ B	<b>3SE5 000-0AA68</b>		1	1 unit	102
High-grade steel lever, plastic roller	19	⊞ B	<b>3SE5 000-0AA62</b>		1	1 unit	102
High-grade steel lever, high-grade steel roller	19	⊞ B	<b>3SE5 000-0AA63</b>		1	1 unit	102
<b>Twist levers, adjustable length</b>							
Metal lever, plastic roller	19	A	<b>3SE5 000-0AA50</b>		1	1 unit	102
Metal lever, high-grade steel roller	19	B	<b>3SE5 000-0AA51</b>		1	1 unit	102
Metal lever, plastic roller	30	B	<b>3SE5 000-0AA55</b>		1	1 unit	102
Metal lever, plastic roller	50	B	<b>3SE5 000-0AA57</b>		1	1 unit	102
Metal lever, rubber roller	50	B	<b>3SE5 000-0AA58</b>		1	1 unit	102
High-grade steel lever, plastic roller	19	B	<b>3SE5 000-0AA52</b>		1	1 unit	102
High-grade steel lever, high-grade steel roller	19	B	<b>3SE5 000-0AA53</b>		1	1 unit	102
<b>Fork levers (for switches with snap-action contacts only)</b>							
2 metal levers, 2 plastic rollers	19	⊞ B	<b>3SE5 000-0AT01</b>		1	1 unit	102
2 metal levers, 2 high-grade steel rollers	19	⊞ B	<b>3SE5 000-0AT02</b>		1	1 unit	102
2 high-grade steel levers, 2 plastic rollers	19	⊞ B	<b>3SE5 000-0AT03</b>		1	1 unit	102
2 high-grade steel levers, 2 high-grade steel rollers	19	⊞ B	<b>3SE5 000-0AT04</b>		1	1 unit	102
<b>Rod actuators, type D acc. to EN 50041</b>							
Aluminum rod, length 200 mm	6	B	<b>3SE5 000-0AA80</b>		1	1 unit	102
Spring rod, length 200 mm	6	B	<b>3SE5 000-0AA81</b>		1	1 unit	102
Plastic rod, length 200 mm	6	B	<b>3SE5 000-0AA82</b>		1	1 unit	102

## 3SE5, 3SE2 Position Switches

**Metal enclosures**  
Enclosure width 56 mm, XL

### Ordering data

· Degree of protection IP66/IP67 · Cable entry 3 × (M20 × 1.5)


Version	Contacts	LEDs	DT	Complete units	<input type="checkbox"/>	PU (UNIT, SET, M)	PS*	PG
				Order No.	Price per PU			
<b>s<sup>1)</sup> • Enclosure width 56 mm, XL</b>								
<b>Plain plungers</b>								
<b>With high-grade steel plunger</b>								
Snap-action contacts	2 × (1 NO + 1 NC) --		⊕ B	<b>3SE5 162-0CB01</b>		1	1 unit	102
<b>Rounded plungers</b>								
<b>With high-grade steel plungers, with 3 mm overtravel</b>								
Slow-action contacts	1 NO + 1 NC and --		⊕ B	<b>3SE5 162-0EC02</b>		1	1 unit	102
Slow-action contacts with make-before-break	1 NO + 2 NC							
2 mm travel difference								
<b>Roller plungers</b>								
<b>With high-grade steel roller 13 mm, with 3 mm overtravel</b>								
Slow-action contacts	2 × (1 NO + 1 NC) --		⊕ B	<b>3SE5 162-0BD02</b>		1	1 unit	102
Snap-action contacts	2 × (1 NO + 1 NC) --		⊕ A	<b>3SE5 162-0CD02</b>		1	1 unit	102
<b>Roller levers</b>								
<b>With metal lever and plastic roller 22 mm</b>								
Slow-action contacts	2 × (1 NO + 1 NC) --		⊕ B	<b>3SE5 162-0BE01</b>		1	1 unit	102
Snap-action contacts	2 × (1 NO + 1 NC) --		⊕ A	<b>3SE5 162-0CE01</b>		1	1 unit	102
<b>With metal lever and high-grade steel roller 22 mm</b>								
Snap-action contacts	2 × (1 NO + 1 NC) --		⊕ B	<b>3SE5 162-0CE02</b>		1	1 unit	102
<b>Angular roller levers</b>								
<b>With metal lever and plastic roller 22 mm</b>								
Snap-action contacts	2 × (1 NO + 1 NC) --		⊕ B	<b>3SE5 162-0CF01</b>		1	1 unit	102
<b>Twist levers</b>								
<b>With metal lever 27 mm and plastic roller 19 mm</b>								
Snap-action contacts	2 × (1 NO + 1 NC) --		⊕ A	<b>3SE5 162-0CH01</b>		1	1 unit	102

# 5, 3SE2 Position Switches

Enclosures  
Width 56 mm, XL

mm

Degree of protection IP66/IP67 · Cable entry 3 × (M20 × 1.5)

Version	Contacts	LEDs	DT	Modular system		PU (UNIT, SET, M)	PS*	PG
				Order No.	Price per PU			

## Enclosure width 56 mm, XL

### With 3 x M20 x 1.5 connecting thread

Slow-action contacts	2 × (1 NO + 1 NC) --		⊙ A	<b>3SE5 162-0BA00</b>		1	1 unit	102
Snap-action contacts	2 × (1 NO + 1 NC) --		⊙ A	<b>3SE5 162-0CA00</b>		1	1 unit	102
Slow-action contacts with make-before-break	2 × (1 NO + 2 NC) --		⊙ A	<b>3SE5 162-0DA00</b>		1	1 unit	102


### With increased corrosion protection<sup>1)</sup>

Slow-action contacts	2 × (1 NO + 1 NC) --		⊙ B	<b>3SE5 162-0BA00-1CA0</b>		1	1 unit	102
Snap-action contacts	2 × (1 NO + 1 NC) --		⊙ B	<b>3SE5 162-0CA00-1CA0</b>		1	1 unit	102
Slow-action contacts with make-before-break	2 × (1 NO + 2 NC) --		⊙ B	<b>3SE5 162-0DA00-1CA0</b>		1	1 unit	102

according to IEC 60947-5-1, Appendix K, or  
actuator, necessary in safety circuits.

ing high-grade steel lever.

*Note: For selection aid, see page 9/12.*

Version	Diameter	DT	Modular system		PU (UNIT, SET, M)	PS*	PG
			Order No.	Price per PU			

## Mechanisms

### Plain plungers

High-grade steel plungers	10	⊙ A	<b>3SE5 000-0AB01</b>		1	1 unit	102
---------------------------	----	-----	-----------------------	--	---	--------	-----

### Rounded plungers, type B acc. to EN 50041

High-grade steel plungers, with 3 mm overtravel	10	⊙ B	<b>3SE5 000-0AC02</b>		1	1 unit	102
---	----	-----	-----------------------	--	---	--------	-----

### Roller plungers, type C acc. to EN 50041

High-grade steel roller, with 3 mm overtravel	13	⊙ B	<b>3SE5 000-0AD02</b>		1	1 unit	102
---	----	-----	-----------------------	--	---	--------	-----

### Roller levers

Metal lever, plastic roller	22	⊙ A	<b>3SE5 000-0AE01</b>		1	1 unit	102
Metal lever, high-grade steel roller	22	⊙ B	<b>3SE5 000-0AE02</b>		1	1 unit	102
High-grade steel lever, plastic roller	22	⊙ B	<b>3SE5 000-0AE03</b>		1	1 unit	102
High-grade steel lever, high-grade steel roller	22	⊙ B	<b>3SE5 000-0AE04</b>		1	1 unit	102

### Angular roller levers

Metal lever, plastic roller	22	⊙ A	<b>3SE5 000-0AF01</b>		1	1 unit	102
Metal lever, high-grade steel roller	22	⊙ B	<b>3SE5 000-0AF02</b>		1	1 unit	102
High-grade steel lever, plastic roller	22	⊙ B	<b>3SE5 000-0AF03</b>		1	1 unit	102
High-grade steel lever, high-grade steel roller	22	⊙ B	<b>3SE5 000-0AF04</b>		1	1 unit	102



## 3SE5, 3SE2 Position Switches

### Metal enclosures Enclosure width 56 mm, XL

Version	Diameter	DT	Modular system	PU (UNIT, SET, M)	PS*	PG
	mm		Order No.	Price per PU		
<b>Twist actuators, metal (without lever)</b>						
• For twist levers and rod actuators, switching right and/or left, adjustable		⊕ A	<b>3SE5 000-0AH00</b>	1	1 unit	102
• For fork levers, latching		⊕ B	<b>3SE5 000-0AT10</b>	1	1 unit	102
<b>Levers for twist actuators</b>						
<b>Twist levers 27 mm, offset, type A acc. to EN 50041</b>						
Metal lever, plastic roller	19	⊕ A	<b>3SE5 000-0AA01</b>	1	1 unit	102
Metal lever, high-grade steel roller	19	⊕ A	<b>3SE5 000-0AA02</b>	1	1 unit	102
Metal lever, roller with ball bearing	19	⊕ B	<b>3SE5 000-0AA03</b>	1	1 unit	102
Metal lever, 2 plastic rollers	19	⊕ B	<b>3SE5 000-0AA04</b>	1	1 unit	102
Metal lever, plastic roller	30	⊕ B	<b>3SE5 000-0AA05</b>	1	1 unit	102
Metal lever, plastic roller	50	⊕ B	<b>3SE5 000-0AA07</b>	1	1 unit	102
Metal lever, rubber roller	50	⊕ B	<b>3SE5 000-0AA08</b>	1	1 unit	102
High-grade steel lever, plastic roller	19	⊕ B	<b>3SE5 000-0AA11</b>	1	1 unit	102
High-grade steel lever, high-grade steel roller	19	⊕ B	<b>3SE5 000-0AA12</b>	1	1 unit	102
<b>Twist levers 35 mm, offset</b>						
Metal lever, plastic roller	19	⊕ B	<b>3SE5 000-0AA15</b>	1	1 unit	102
<b>Twist levers 30 mm, straight<sup>1)</sup></b>						
Metal lever, plastic roller	19	⊕ B	<b>3SE5 000-0AA24</b>	1	1 unit	102
Metal lever, plastic roller	30	⊕ B	<b>3SE5 000-0AA26</b>	1	1 unit	102
<b>Twist levers, adjustable length, with grid hole</b>						
Metal lever, plastic roller	19	⊕ B	<b>3SE5 000-0AA60</b>	1	1 unit	102
Metal lever, high-grade steel roller	19	⊕ B	<b>3SE5 000-0AA61</b>	1	1 unit	102
Metal lever, plastic roller	50	⊕ B	<b>3SE5 000-0AA67</b>	1	1 unit	102
Metal lever, rubber roller	50	⊕ B	<b>3SE5 000-0AA68</b>	1	1 unit	102
High-grade steel lever, plastic roller	19	⊕ B	<b>3SE5 000-0AA62</b>	1	1 unit	102
High-grade steel lever, high-grade steel roller	19	⊕ B	<b>3SE5 000-0AA63</b>	1	1 unit	102
<b>Twist levers, adjustable length</b>						
Metal lever, plastic roller	19	A	<b>3SE5 000-0AA50</b>	1	1 unit	102
Metal lever, high-grade steel roller	19	B	<b>3SE5 000-0AA51</b>	1	1 unit	102
Metal lever, plastic roller	30	B	<b>3SE5 000-0AA55</b>	1	1 unit	102
Metal lever, plastic roller	50	B	<b>3SE5 000-0AA57</b>	1	1 unit	102
Metal lever, rubber roller	50	B	<b>3SE5 000-0AA58</b>	1	1 unit	102
High-grade steel lever, plastic roller	19	B	<b>3SE5 000-0AA52</b>	1	1 unit	102
High-grade steel lever, high-grade steel roller	19	B	<b>3SE5 000-0AA53</b>	1	1 unit	102
<b>Fork levers (for switches with snap-action contacts only)</b>						
2 metal levers, 2 plastic rollers	19	⊕ B	<b>3SE5 000-0AT01</b>	1	1 unit	102
2 metal levers, 2 high-grade steel rollers	19	⊕ B	<b>3SE5 000-0AT02</b>	1	1 unit	102
2 high-grade steel levers, 2 plastic rollers	19	⊕ B	<b>3SE5 000-0AT03</b>	1	1 unit	102
2 high-grade steel levers, 2 high-grade steel rollers	19	⊕ B	<b>3SE5 000-0AT04</b>	1	1 unit	102
<b>Rod actuators, type D acc. to EN 50041</b>						
Aluminum rod, length 200 mm	6	B	<b>3SE5 000-0AA80</b>	1	1 unit	102
Spring rod, length 200 mm	6	B	<b>3SE5 000-0AA81</b>	1	1 unit	102
Plastic rod, length 200 mm	6	B	<b>3SE5 000-0AA82</b>	1	1 unit	102
Plastic rod, length 330 mm	6	B	<b>3SE5 000-0AA83</b>	1	1 unit	102

# 5, 3SE2 Position Switches

enclosures  
temperature up to -40 °C

## Ordering data

Degree of protection IP66/IP67 · Cable entry M20 × 1.5

Version	Contacts	LEDs	DT	Complete units	PU (UNIT, SET, M)	PS*	PG
				<input type="checkbox"/>			
				Order No.	Price per PU		

### Enclosure width 40 mm

#### Twist levers, adjustable length

With high-grade steel lever with grid hole  
and plastic roller 19 mm

Snap-action contacts	1 NO + 1 NC --		⊙ A	3SE5 112-0CH62-1AJ0	1	1 unit	102
----------------------	----------------	--	-----	---------------------	---	--------	-----

Degree of protection IP66/IP67 · Cable entry M20 × 1.5

Version	Contacts	LEDs	DT	Modular system	PU (UNIT, SET, M)	PS*	PG
				<input checked="" type="checkbox"/>			
				Order No.	Price per PU		

### Enclosure width 40 mm

#### With M20 × 1.5 connecting thread

Snap-action contacts	1 NO + 1 NC --		⊙ B	3SE5 112-0CA00-1AJ0	1	1 unit	102
Slow-action contacts	1 NO + 2 NC --		⊙ B	3SE5 112-0KA00-1AJ0	1	1 unit	102
Snap-action contacts	1 NO + 2 NC --		⊙ B	3SE5 112-0LA00-1AJ0	1	1 unit	102

### Enclosure width 56 mm

#### With 3 x M20 x 1.5 connecting thread

Snap-action contacts	1 NO + 1 NC --		⊙ B	3SE5 122-0CA00-1AJ0	1	1 unit	102
Slow-action contacts	1 NO + 2 NC --		⊙ B	3SE5 122-0KA00-1AJ0	1	1 unit	102
Snap-action contacts	1 NO + 2 NC --		⊙ B	3SE5 122-0LA00-1AJ0	1	1 unit	102

according to IEC 60947-5-1, Appendix K or positively  
necessary in safety circuits.

[Note: For selection aid, see page 9/12.](#)

## 3SE5, 3SE2 Position Switches

**3SE5, metal enclosures**  
Ambient temperature up to -40 °C

Version	Diameter	DT	Modular system	PU (UNIT, SET, M)	PS*	PG
	mm		Order No.	Price per PU		
<b>Mechanisms</b>						
<b>Rounded plungers, type B acc. to EN 50041</b>						
High-grade steel plungers, with 3 mm overtravel	10	⊕ B	<b>3SE5 000-0AC02-1AJ0</b>	1	1 unit	102
<b>Roller plungers, type C acc. to EN 50041</b>						
High-grade steel roller, with 3 mm overtravel	10	⊕ B	<b>3SE5 000-0AD02-1AJ0</b>	1	1 unit	102
<b>Roller levers</b>						
Metal lever, plastic roller	13	⊕ B	<b>3SE5 000-0AE01-1AJ0</b>	1	1 unit	102
High-grade steel lever, plastic roller	13	⊕ B	<b>3SE5 000-0AE03-1AJ0</b>	1	1 unit	102
<b>Angular roller levers</b>						
Metal lever, plastic roller	13	⊕ B	<b>3SE5 000-0AF01-1AJ0</b>	1	1 unit	102
High-grade steel lever, plastic roller	13	⊕ B	<b>3SE5 000-0AF03-1AJ0</b>	1	1 unit	102
<b>Twist actuators</b>						
<b>Twist actuators, metal (without lever)</b>						
Switching right and/or left, adjustable		⊕ B	<b>3SE5 000-0AH00-1AJ0</b>	1	1 unit	102
<b>Levers for twist actuators</b>						
<b>Twist levers, type A acc. to EN 50041</b>						
Metal lever, plastic roller	19	⊕ B	<b>3SE5 000-0AA01-1AJ0</b>	1	1 unit	102
High-grade steel lever, plastic roller	19	⊕ B	<b>3SE5 000-0AA11-1AJ0</b>	1	1 unit	102
<b>Twist levers, adjustable length, with grid hole</b>						
Metal lever, plastic roller	19	⊕ B	<b>3SE5 000-0AA60-1AJ0</b>	1	1 unit	102
High-grade steel lever, plastic roller	19	⊕ B	<b>3SE5 000-0AA62-1AJ0</b>	1	1 unit	102

## 3SE5, 3SE2 Position Switches

### enclosures design



in width 30 mm

harsh environments or on equipment with limited space. All 3SE5 4 position switches in compact design with a height of 16 mm and a weight of only 80 g (without cable). All the versions with molded cable can be used in the most confined places.

3SE5 position switches are available in two different enclosure designs:

The 3SE5 series complies with the EU standard and features a 30 mm wide enclosure with drilled holes at a distance of 10 mm.

The 3SE2 series meets the requirements of the US market with a 40 mm wide enclosure with drilled holes at a distance of 15 mm.

The enclosure and the twist actuator are made of metal and provide a high IP67 degree of protection. Following actuators are available:

- with central fixing
- with external seal
- with central fixing

The switch is designed with snap-action contacts. The NC contact complies with the requirements according to IEC 60947-5-1.

The switch is suitable for circuits up to Category 4 according to IEC 60947-5-1.

The switch is available with a cable, 2 m or 5 m long, and a connector socket.

### Benefits

- Very compact yet with the same rating as the 3SE51 standard switches, for notable space savings in confined installation conditions
- Various actuator versions available
- The actuators can be rotated in 90° increments
- Time is saved when mounting the fully assembled unit
- Ideal for use in harsh industrial environments thanks to metal enclosure with degrees of protection IP67
- Insensitive to electromagnetic interference

## 3SE5, 3SE2 Position Switches

### 3SE5, metal enclosures Compact design

#### Ordering data

contacts 1 NO + 1 NC · Degree of protection IP67 · With connecting cable or M12 connector socket

Operating mechanism	Enclosure width mm	DT	Order No.	Price per PU	PU (UNIT, SET, M)	PS*	PG
<b>Enclosure width 30 or 40 mm</b>							
<b>Rounded plungers</b>							
• Standard mounting							
- With 2 m cable 5 x 0.75 mm <sup>2</sup>	30	⊕ A	<b>3SE5 413-0CC20-1EA2</b>		1	1 unit	102
	40	⊕ A	<b>3SE5 423-0CC20-1EA2</b>		1	1 unit	102
- With 5 m cable 5 x 0.75 mm <sup>2</sup>	30	⊕ B	<b>3SE5 413-0CC20-1EA5</b>		1	1 unit	102
- With M12 connector socket	30	⊕ A	<b>3SE5 413-0CC20-1EB1</b>		1	1 unit	102
	40	⊕ A	<b>3SE5 423-0CC20-1EB1</b>		1	1 unit	102
• With M12 central fixing							
- With 2 m cable 5 x 0.75 mm <sup>2</sup>	30	⊕ A	<b>3SE5 413-0CC21-1EA2</b>		1	1 unit	102
	40	⊕ A	<b>3SE5 423-0CC21-1EA2</b>		1	1 unit	102
• With external seal							
- With 2 m cable 5 x 0.75 mm <sup>2</sup>	30	⊕ A	<b>3SE5 413-0CC22-1EA2</b>		1	1 unit	102
	40	⊕ A	<b>3SE5 423-0CC22-1EA2</b>		1	1 unit	102
<b>Roller plungers</b>							
• Standard mounting							
- With 2 m cable 5 x 0.75 mm <sup>2</sup>	30	⊕ A	<b>3SE5 413-0CD20-1EA2</b>		1	1 unit	102
	40	⊕ A	<b>3SE5 423-0CD20-1EA2</b>		1	1 unit	102
- With 5 m cable 5 x 0.75 mm <sup>2</sup>	30	⊕ B	<b>3SE5 413-0CD20-1EA5</b>		1	1 unit	102
- With M12 connector socket	30	⊕ A	<b>3SE5 413-0CD20-1EB1</b>		1	1 unit	102
	40	⊕ A	<b>3SE5 423-0CD20-1EB1</b>		1	1 unit	102
• With M12 central fixing							
- With 2 m cable 5 x 0.75 mm <sup>2</sup>	30	⊕ A	<b>3SE5 413-0CD21-1EA2</b>		1	1 unit	102
	40	⊕ A	<b>3SE5 423-0CD21-1EA2</b>		1	1 unit	102
• Actuator head rotated 90°							
- With 2 m cable 5 x 0.75 mm <sup>2</sup>	30	⊕ A	<b>3SE5 413-0CD23-1EA2</b>		1	1 unit	102
<b>Twist levers</b>							
• Standard mounting							
- With 2 m cable 5 x 0.75 mm <sup>2</sup>	30	⊕ A	<b>3SE5 413-0CN20-1EA2</b>		1	1 unit	102
	40	⊕ A	<b>3SE5 423-0CN20-1EA2</b>		1	1 unit	102
- With 5 m cable 5 x 0.75 mm <sup>2</sup>	30	⊕ A	<b>3SE5 413-0CN20-1EA5</b>		1	1 unit	102
- With M12 connector socket	30	⊕ A	<b>3SE5 413-0CN20-1EB1</b>		1	1 unit	102
	40	⊕ A	<b>3SE5 423-0CN20-1EB1</b>		1	1 unit	102



# 3SE2 Position Switches

e

## type design



Their compact design makes these switches particularly suitable for use in confined conditions. The fixing dimensions and operating points are according to EN 50047.

The switches are equipped with two or three contacts in slow-action or snap-action versions. The stroke is 6 mm.

The empty enclosure can be equipped with all switch block variants ([see page 9/48](#)).

## Ordering data

· Degree of protection IP20 (2 contacts), IP10 (3 contacts)











Version	Contacts	DT	Order No.	Price per PU	PU (UNIT, SET, M)	PS*	PG
<b>enclosures • Enclosure width 30 mm</b>							
<b>With teflon plunger, Ø 6 mm</b>							
With contact block with 2 contacts							
Slow-action contacts	1 NO + 1 NC	⊙ A	<b>3SE5 250-0BC05</b>		1	1 unit	102
Snap-action contacts	1 NO + 1 NC	⊙ ▶	<b>3SE5 250-0CC05</b>		1	1 unit	102
With contact block with 3 contacts							
Slow-action contacts	1 NO + 2 NC	⊙ B	<b>3SE5 250-0KC05</b>		1	1 unit	102
Snap-action contacts	1 NO + 2 NC	⊙ A	<b>3SE5 250-0LC05</b>		1	1 unit	102
Slow-action contacts with make-before-break	1 NO + 2 NC	⊙ A	<b>3SE5 250-0MC05</b>		1	1 unit	102
Slow-action contacts	2 NO + 1 NC	⊙ A	<b>3SE5 250-0PC05</b>		1	1 unit	102
Empty enclosures without contact block	--	⊙ B	<b>3SE5 250-0AC05</b>		1	1 unit	102

## 3SE5, 3SE2 Position Switches

### Accessories and spare parts

#### Ordering data

These devices and plug-in connections are used for installation and replacement of position switches.

Version	DT	Order No.	Price per PU	PU (UNIT, SET, M)	PS*	PG	
<b>Accessories for enclosure width 40 mm</b>							
		<b>Adapter plates with screws</b>	B	<b>3SY3 110</b>	1	1 unit	102
		<b>Base plates with locking lever</b>	B	<b>3SY3 027</b>	1	1 unit	102
							
3SY3 027							
<b>Accessories for M20 × 1.5 connecting threads</b>							
		<b>Connector sockets (6-pole + PE), for M20 × 1.5</b> For max. 250 V, 10 A With 0.75 mm <sup>2</sup> connecting cable, plastic, degree of protection IP65, ambient temperature -40 to +90 °C	C	<b>3SY3 131</b>	1	1 unit	102
		<b>Cable boxes (6-pole + PE)<sup>1)</sup></b> With terminal compartment, can be pre-assembled, plastic, degree of protection IP65	A	<b>3SY3 136</b>	1	1 unit	102
							
3SY3 136							
		<b>Connector sockets (4-pole), M12, for M20 × 1.5, fixed</b> For max 250 V, 4 A, $U_{imp} = 2500$ V With four 0.25 mm <sup>2</sup> connecting cables, plastic, degree of protection IP67, ambient temperature -40 to +85 °C	B	<b>3SY3 127</b>	1	1 unit	102
		<b>Connector sockets (5-pole), M12, for M20 × 1.5, fixed</b> For max. 125 V, 4 A, $U_{imp} = 1500$ V With five 0.25 mm <sup>2</sup> connecting cables, plastic, degree of protection IP67, ambient temperature -40 to +85 °C	B	<b>3SY3 128</b>	1	1 unit	102
		<b>Connector sockets (8-pole), M12, for M20 × 1.5, fixed, metal version</b> For max. 30 V, 2 A, $U_{imp} = 800$ V With eight 0.25 mm <sup>2</sup> connecting cables, metal, degree of protection IP67, ambient temperature -40 to +85 °C	C	<b>3SY3 134</b>	1	1 unit	102
							
3SY3 134							
<b>Accessories for M20 × 1.5 connecting threads</b>							
		<b>Adapters according to ,  and </b> For cable entry from M20 × 1.5 to NPT 1/2					
		• Metal	B	<b>3SX9 917</b>	1	1 unit	102
		• Plastic	D	<b>3SX9 918</b>	1	1 unit	102

# 5, 3SE2 Position Switches

## and spare parts

Version	Color/ contacts	DT	Order No.	Price per PU	PU (UNIT, SET, M)	PS*	PG
<b>Accessories for 3SE52</b>							
<b>Protective caps, rubber,</b> for rounded plungers acc. to EN 50047, 3SE5 ...-...C05	Black	A	<b>3SE5 000-0AC30</b>		1	1 unit	102
<b>3SE51, 3SE52</b>							
<b>Empty enclosures, plastic</b>	Turquoise						
Enclosure width 31 mm		B	<b>3SE5 232-0AC05</b>		1	1 unit	102
• With increased corrosion protection		B	<b>3SE5 232-0AC05-1CA0</b>		1	1 unit	102
Enclosure width 50 mm		B	<b>3SE5 242-0AC05</b>		1	1 unit	102
• With increased corrosion protection		B	<b>3SE5 242-0AC05-1CA0</b>		1	1 unit	102
<b>Empty enclosures, metal</b>							
Enclosure width 31 mm	Turquoise	B	<b>3SE5 212-0AC05</b>		1	1 unit	102
• With increased corrosion protection		B	<b>3SE5 212-0AC05-1CA0</b>		1	1 unit	102
Enclosure width 40 mm		B	<b>3SE5 112-0AA00</b>		1	1 unit	102
• With increased corrosion protection		B	<b>3SE5 112-0AA00-1CA0</b>		1	1 unit	102
Enclosure width 56 mm		B	<b>3SE5 122-0AA00</b>		1	1 unit	102
• With increased corrosion protection		B	<b>3SE5 122-0AA00-1CA0</b>		1	1 unit	102
Enclosure width 56 mm, XL <sup>1)</sup>		B	<b>3SE5 162-0AA00</b>		1	1 unit	102
<b>Contact blocks with 2 contacts</b>							
• Slow-action contacts	1 NO + 1 NC	⊕ B	<b>3SE5 000-0BA00</b>		1	1 unit	102
• Snap-action contacts	1 NO + 1 NC						
- Standard		⊕ B	<b>3SE5 000-0CA00</b>		1	1 unit	102
- Gold-plated contacts		⊕ B	<b>3SE5 000-0CA00-1AC1</b>		1	1 unit	102
- 2 × 2 mm switching interval		⊕ B	<b>3SE5 000-0GA00</b>		1	1 unit	102
- Short stroke		⊕ B	<b>3SE5 000-0NA00</b>		1	1 unit	102
<b>Contact blocks with 3 contacts</b>							
• Slow-action contacts	1 NO + 2 NC	⊕ B	<b>3SE5 000-0KA00</b>		1	1 unit	102
• Snap-action contacts	1 NO + 2 NC	⊕ B	<b>3SE5 000-0LA00</b>		1	1 unit	102
• Slow-action contacts with make-before-break	1 NO + 2 NC	⊕ A	<b>3SE5 000-0MA00</b>		1	1 unit	102
• Slow-action contacts	2 NO + 1 NC	A	<b>3SE5 000-0PA00</b>		1	1 unit	102

g according to IEC 60947-5-1, Appendix K.

ures only with contact combinations according to  
9 and 9/40.



## 3SE5, 3SE2 Position Switches

### Accessories and spare parts

Version	Rated voltage LED	DT	Order No.	Price per PU	PU (UNIT, SET, M)	PS*	PG
<b>3SE51, 3SE52</b>							
<b>Covers for molded-plastic enclosures, width 31 mm</b>							
• Turquoise with LED	24 DC	B	<b>3SE5 230-1AA00</b>		1	1 unit	102
	230 AC	B	<b>3SE5 230-3AA00</b>		1	1 unit	102
• Yellow	--	B	<b>3SE5 230-0AA00-1AG0</b>		1	1 unit	102
• Yellow with LED	24 DC	B	<b>3SE5 230-1AA00-1AG0</b>		1	1 unit	102
	230 AC	B	<b>3SE5 230-3AA00-1AG0</b>		1	1 unit	102
<b>Covers for molded-plastic enclosures, width 40 mm</b>							
• Turquoise with LED	24 DC	B	<b>3SE5 130-1AA00</b>		1	1 unit	102
	230 AC	B	<b>3SE5 130-3AA00</b>		1	1 unit	102
• Yellow	--	B	<b>3SE5 130-0AA00-1AG0</b>		1	1 unit	102
• Yellow with LED	24 DC	B	<b>3SE5 130-1AA00-1AG0</b>		1	1 unit	102
	230 AC	B	<b>3SE5 130-3AA00-1AG0</b>		1	1 unit	102
<b>Covers for molded-plastic enclosures, width 50 mm</b>							
• Turquoise with LED	24 DC	B	<b>3SE5 240-1AA00</b>		1	1 unit	102
	230 AC	B	<b>3SE5 240-3AA00</b>		1	1 unit	102
• Yellow	--	B	<b>3SE5 240-0AA00-1AG0</b>		1	1 unit	102
• Yellow with LED	24 DC	B	<b>3SE5 240-1AA00-1AG0</b>		1	1 unit	102
	230 AC	B	<b>3SE5 240-3AA00-1AG0</b>		1	1 unit	102
<b>Covers for metal enclosures, width 31 mm</b>							
• Turquoise with LED	24 DC	B	<b>3SE5 210-1AA00</b>		1	1 unit	102
	230 AC	B	<b>3SE5 210-3AA00</b>		1	1 unit	102
• Yellow	--	B	<b>3SE5 210-0AA00-1AG0</b>		1	1 unit	102
• Yellow with LED	24 DC	B	<b>3SE5 210-1AA00-1AG0</b>		1	1 unit	102
	230 AC	B	<b>3SE5 210-3AA00-1AG0</b>		1	1 unit	102
<b>Covers for metal enclosures, width 40 mm</b>							
• Turquoise with LED	24 DC	B	<b>3SE5 110-1AA00</b>		1	1 unit	102
	230 AC	B	<b>3SE5 110-3AA00</b>		1	1 unit	102
• Yellow	--	B	<b>3SE5 110-0AA00-1AG0</b>		1	1 unit	102
• Yellow with LED	24 DC	B	<b>3SE5 110-1AA00-1AG0</b>		1	1 unit	102
	230 AC	B	<b>3SE5 110-3AA00-1AG0</b>		1	1 unit	102
<b>Covers for metal enclosures, width 56 mm</b>							
• Turquoise with LED	24 DC	B	<b>3SE5 120-1AA00</b>		1	1 unit	102
	230 AC	B	<b>3SE5 120-3AA00</b>		1	1 unit	102
• Yellow	--	B	<b>3SE5 120-0AA00-1AG0</b>		1	1 unit	102
• Yellow with LED	24 DC	B	<b>3SE5 120-1AA00-1AG0</b>		1	1 unit	102
	230 AC	B	<b>3SE5 120-3AA00-1AG0</b>		1	1 unit	102
<b>Covers for XL metal enclosures, width 56 mm</b>							
• Yellow	--	B	<b>3SE5 160-0AA00-1AG0</b>		1	1 unit	102

## 3SE2 Position Switches with Separate Actuator

Switches with separate actuator are used where the position covers or protective grills must be monitored for

Switches with separate actuator have the same dimensions as the standard switches (modular system).



Switch with head for separate actuator

Switches are available in various enclosure sizes:  
• Plastic enclosures according to EN 50047, 31 mm wide, 1 cable entry  
• Plastic enclosures according to EN 50047, 31 mm wide, 2 cable entries  
• Plastic and metal enclosures according to EN 50041, 31 mm wide, IP66/IP67, 1 cable entry  
• Plastic enclosures, 50 mm wide, IP66/IP67, 2 cable entries  
• Plastic enclosures, 56 mm wide, IP66/IP67, 3 cable entries  
This is a switch in the 3SE2 series which has arisen in response to general market requirements:  
• Plastic enclosures outside of the standards, enclosure size 31 mm wide, IP67

### Options

Various versions can be selected for the enclosures of the

Switch with two- or three-pole switching elements designed for use in contacts

Switch with status display

Switch with four- or five-pole M12 connector socket for use in the wide enclosure, as an accessory for

### Operation

The actuator head is included in the scope of supply. For actuation from four directions it can be adjusted through  $4 \times 90^\circ$ . The switches can also be approached from above.

The twist actuators of the 3SE2 243 and 3SE2 257 switches with special enclosures cannot be changed. The switches can be approached from the two broad sides and from above.

The actuators are not included in the scope of supply of the position switch and must be ordered separately from a choice of six versions to suit the application (see page 9/59).

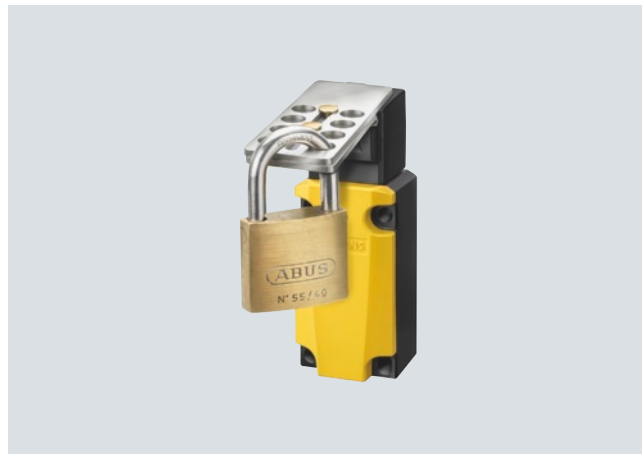
The actuator is encoded. Simple overruling by hand or auxiliary devices is impossible.

### Radius actuators

The position switches with radius actuators are particularly suitable for rotatable protective devices. The movable actuation key allows even small radii to be approached. Damage to the switch and the actuator due to inaccurate approach is prevented.

### Locking devices

A high-grade steel blocking insert for attaching up to eight padlocks is available for even more safety (see page 9/59).



Blocking insert with padlock

### Dust protection

A rubber cap to protect the twist actuator from contamination is available for operation in dusty environments (see page 9/59).

### Contact reliability

The new switching blocks ensure an extremely high contact stability. This applies even when the devices are switching low voltages and currents, e.g. 1 mA at 5 V DC.

### Positive opening

## 3SE5, 3SE2 Position Switches With Separate Actuator

### General data

Position switches with separate actuator differ from the standard switches through the following new characteristics:  
• Larger enclosure sizes with increased corrosion protection  
• Larger enclosure sizes are optionally available with a LED signal-lamp

The contact block 1 NO + 2 NC is available for all enclosure sizes.

The plastic enclosure has simple and fast wiring terminals which makes it possible to save from approx. 20 to 30 minutes when connecting.

The electric component is integrated for the versions with terminal interface connection (see page 9/90); an adapter is available.

Position switches with separate actuator are used where the position covers or protective grills must be monitored for safety.

The switch can only be operated with the matching actuator. Simple overruling by hand or auxiliary devices is possible.

Enclosure sizes available with enclosure versions to suit the particular conditions. Different control tasks can be performed. The best contact blocks suited for the particular purposes, fixing points of the enclosure are in the enclosure data sheet.

accordance with EN 50041 or EN 50047 standards. The devices are suitable for use in any climate.

#### Standards


IEC 60947-5-1 or EN 60947-5-1.

The protective measure of "total insulation" by the molded-plastic enclosure is guaranteed by the use of molded-plastic screw-glands.

#### Safety position switches

For controls according to IEC 60204-1 or EN 60204-1 the devices can be used as a safety position switch. To secure position switches against changes in their position, keyed techniques must be employed on installation.

#### Safety circuits

IEC 60947-5-1 and EN 60947-5-1 require positive opening of the NC contacts, i.e. for the purposes of personal safety, the assured opening of NC contacts is expressly stipulated for the electrical equipment of machines in all safety circuits and marked according to the IEC standard 60947-5-1 with the symbol .

Category 3 according to ISO 13849-1 (EN 954-1) can be attained with a position switch with a separate actuator if the corresponding failsafe evaluation units are selected and correctly installed, e.g. the 3TK28 safety relays or matching units from the ASIsafe, SIMATIC or SINUMERIK product ranges.

Category 4 can be achieved when using an additional position switch.

### Specifications

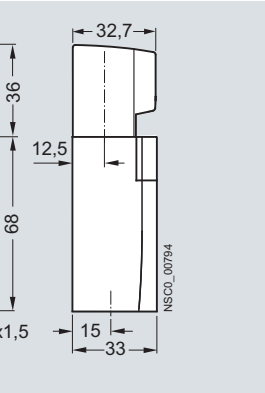
		3SE5 1...-V.., 3SE5 2...-V..		3SE2 257-XX..		3SE2 243-XX..	
		IEC 60947-5-1, EN 60947-5-1					
Rated voltage $U_i$ acc. to EN 60664-1	V	400 Class 3		500 Class 3			
Withstand voltage $U_{imp}$	kV	6		6			
Rated voltage $U_e$	V	400 AC; over 300 V AC only equal potential		500 AC; over 380 V AC only equal potential			
Rated current $I_{th}$	A	6		10			
Rated current $I_e$ at current 50/60 Hz		2-pole	3-pole	1-pole		3-pole	
		$I_e/AC-15$	$I_e/AC-15$	$I_e/AC-12$	$I_e/AC-15$	$I_e/AC-12$	$I_e/AC-15$
	A	6	6	10	10	10	10
	A	6	3	10	10	10	10
	A	3	1.5	10	6	10	4
	A	--	--	10	4	10	4
	A	--	--	10	3	10	3
		$I_e/DC-13$	$I_e/DC-13$	$I_e/DC-12$	$I_e/DC-13$	$I_e/DC-12$	$I_e/DC-13$
	A	3	3	10	10	10	10
	A	0.55	0.55	--	--	--	--
	A	0.27	0.27	--	--	--	--
	A	--	--	4	1	4	1
	A	--	--	1	0.4	1	0.4
	A	--	--	0.5	0.2	0.5	0.2

# 3SE5, 3SE2 Position Switches

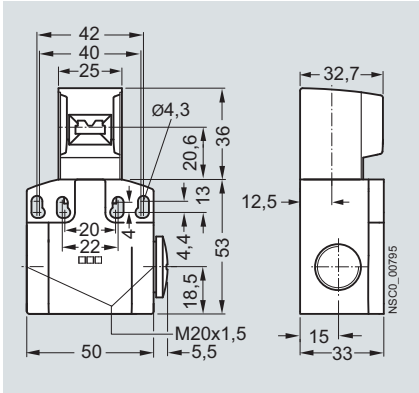
## Separate Actuator

### configuration

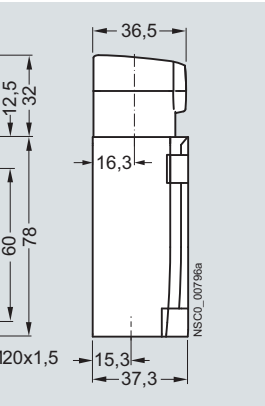
31 mm  
3SE5 23.-RV40



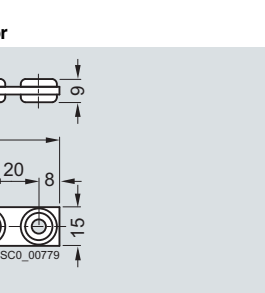
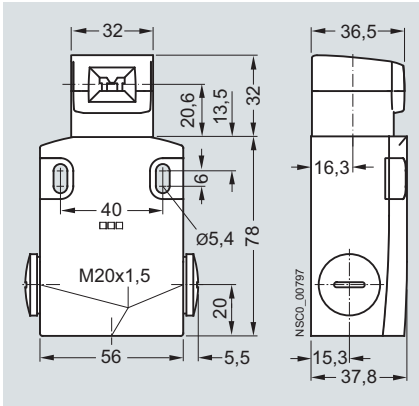
Enclosure width 50 mm  
3SE5 24.-QV40, 3SE5 24.-RV40



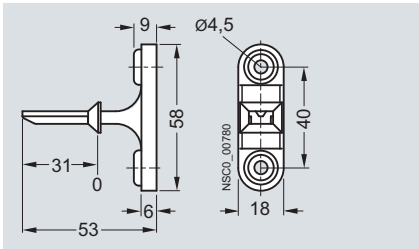
40 mm  
3SE5 11.-RV10



Enclosure width 56 mm  
3SE5 12.-QV10, 3SE5 12.-RV10

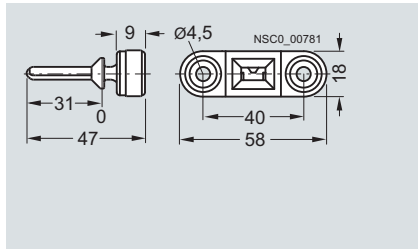


3SE5 000-0AV02  
actuator with vertical fixing

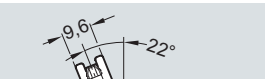


3SE5 000-0AV06  
radius actuator approach from right

3SE5 000-0AV03  
actuator with horizontal fixing



3SE5 000-0AV05  
universal radius actuator

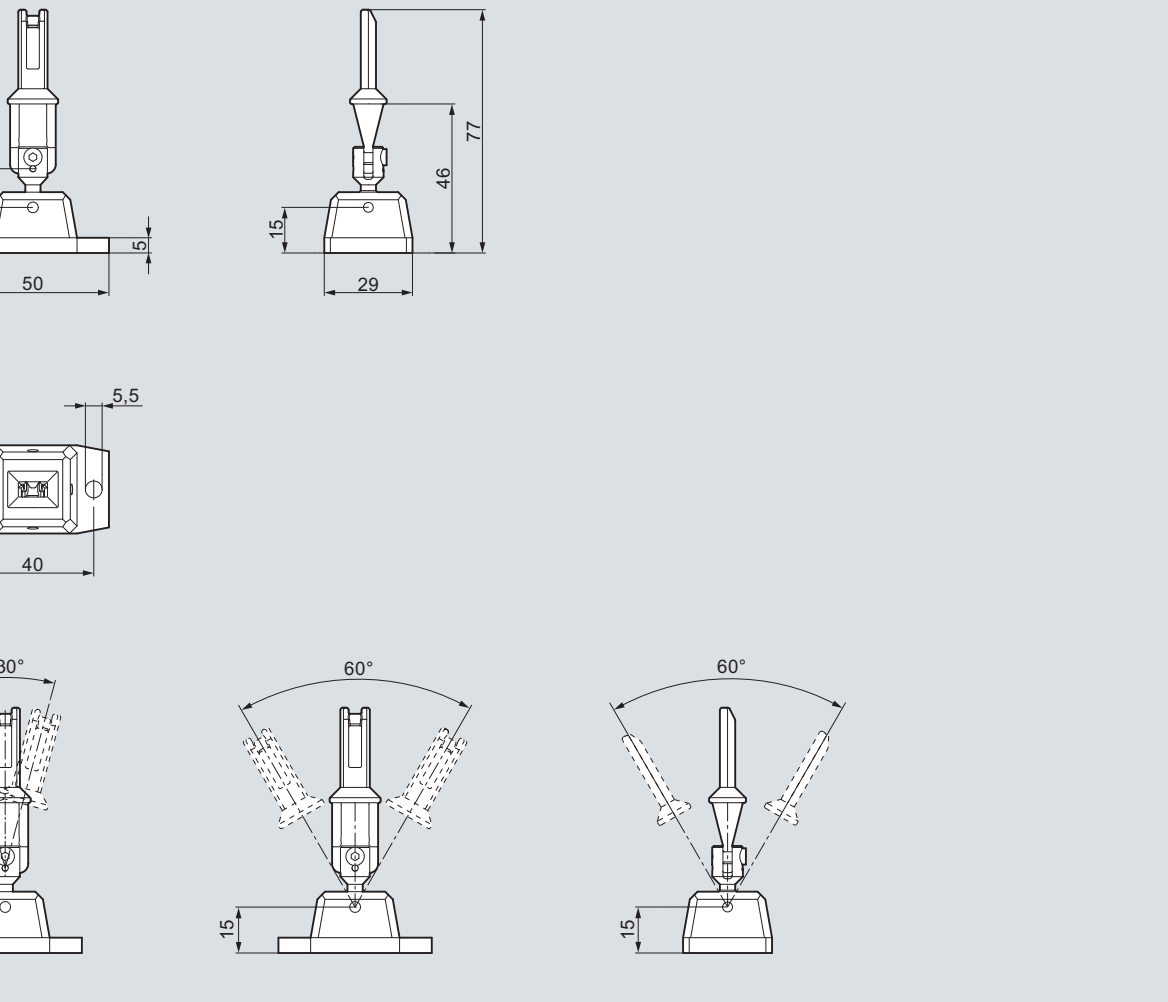


© Siemens AG 2010

# 3SE5, 3SE2 Position Switches With Separate Actuator

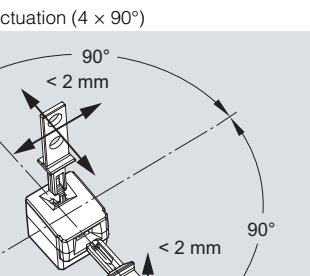
## General data

### Actuator, heavy duty



### Operating travel

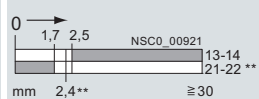
ors



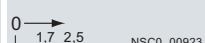
Lateral actuation (4 × 90°)

Slow-action contacts

**1 NO + 1 NC, Ident. No. 11**

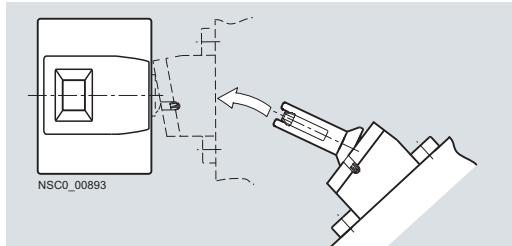


**1 NO + 2 NC, Ident. No. 12**



### Radius actuators (all directions of approach)

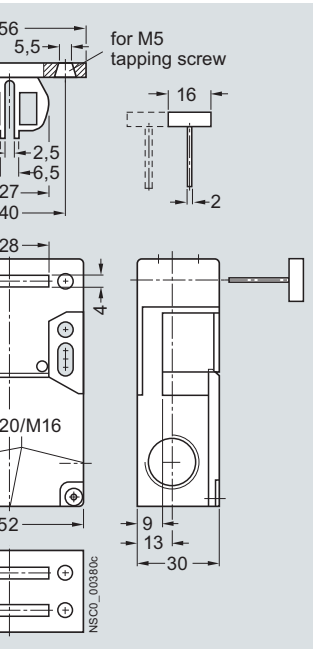
Example: Direction of approach from the left



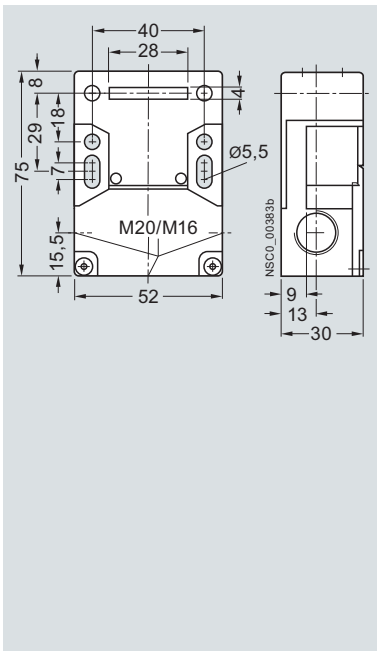
# 3SE2, 3SE2 Position Switches with Separate Actuator

## 3SE2 257 configuration

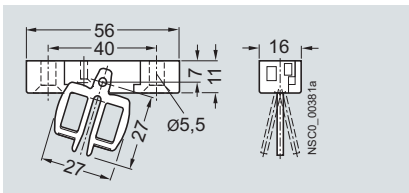
lateral and front-end actuation,  
universal radius actuator



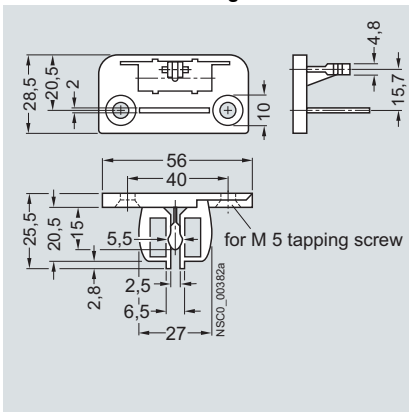
3SE2 257, lateral and front-end actuation



3SX3 228  
universal radius actuator



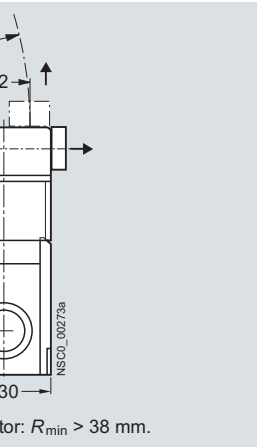
3SX3 217  
actuator with ball locating



operating travel

radius actuators

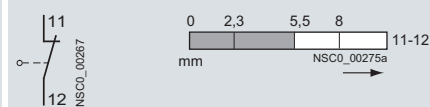
actuation



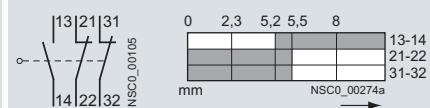
Lateral actuation

Slow-action contacts

1 NC, Ident. No. 01



1 NO + 2 NC, Ident. No. 12



■ Contact closed  
□ Contact open

Actuator in actuator head:  
NC is closed

© Siemens AG 2010

## 3SE5, 3SE2 Position Switches With Separate Actuator

**3SE5, molded-plastic enclosures  
Enclosure width 31 mm acc. to EN 50047/50 mm**

### Ordering data

5 directions of approach · Degree of protection IP65 (31 mm) or IP66/IP67 (50 mm) · Cable entry M20 × 1.5

Version <sup>1)</sup>	Contacts	LEDs	DT	Complete units	<input type="checkbox"/>	PU (UNIT, SET, M)	PS*	PG
				Order No.	Price per PU			
<b>Enclosure width 31 mm according to EN 50047</b>								
<b>5 directions of approach</b>								
Slow-action contacts	1 NO + 1 NC --		⊙ B	<b>3SE5 232-0RV40</b>		1	1 unit	102
Slow-action contacts	1 NO + 2 NC --		⊙ ▶ B	<b>3SE5 232-0QV40</b>		1	1 unit	102
<b>With increased minimum pull-out force 30 N</b>								
Slow-action contacts	1 NO + 2 NC --		⊙ B	<b>3SE5 232-0QV40-1AA1</b>		1	1 unit	102
<b>With M12 connector socket, 4-pole (250 V, 4 A)</b>								
Slow-action contacts	1 NO + 1 NC --		⊙ B	<b>3SE5 234-0RV40-1AC4</b>		1	1 unit	102
Slow-action contacts	2 NC --		⊙ B	<b>3SE5 234-0QV40-1AE0</b>		1	1 unit	102
<b>With 2 LEDs, yellow/green</b>								
Slow-action contacts	1 NO + 1 NC	24 V DC	⊙ B	<b>3SE5 232-1RV40</b>		1	1 unit	102
Slow-action contacts	1 NO + 1 NC	230 V AC	⊙ B	<b>3SE5 232-3RV40</b>		1	1 unit	102
<b>With M12 connector socket, 5-pole (125 V, 4 A) and 2 LEDs</b>								
Slow-action contacts	1 NO + 1 NC	24 V DC	⊙ B	<b>3SE5 234-1RV40-1AF3</b>		1	1 unit	102
<b>Enclosure width 50 mm</b>								
<b>5 directions of approach</b>								
Slow-action contacts	1 NO + 2 NC --		⊙ B	<b>3SE5 242-0QV40</b>		1	1 unit	102
<b>With increased minimum pull-out force 30 N</b>								
Slow-action contacts	1 NO + 1 NC --		⊙ B	<b>3SE5 242-0RV40-1AA1</b>		1	1 unit	102
<b>With 2 LEDs, yellow/green</b>								
Slow-action contacts	1 NO + 2 NC	24 V DC	⊙ B	<b>3SE5 242-1QV40</b>		1	1 unit	102
Slow-action contacts	1 NO + 2 NC	230 V AC	⊙ B	<b>3SE5 242-3QV40</b>		1	1 unit	102



# 3SE2 Position Switches

## Separate Actuator

Hard-plastic enclosures  
Width 40 mm according to EN 50041

### Ordering data

5 directions of approach · Degree of protection IP66/IP67 · Cable entry M20 × 1.5

Version <sup>1)</sup>	Contacts	LEDs	DT	Complete units <input type="checkbox"/>	PU (UNIT, SET, M)	PS*	PG
				Order No.	Price per PU		
<b>Width 40 mm according to EN 50041</b>							
<b>5 directions of approach</b>							
Slow-action contacts	1 NO + 2 NC --		⊙ A	<b>3SE5 132-0QV20</b>	1	1 unit	102
<b>With 2 LEDs, yellow/green</b>							
Slow-action contacts	1 NO + 2 NC 24 V DC		⊙ B	<b>3SE5 132-1QV20</b>	1	1 unit	102
Slow-action contacts	1 NO + 2 NC 230 V AC		⊙ C	<b>3SE5 132-3QV20</b>	1	1 unit	102

g according to IEC 60947-5-1, Appendix K.

<sup>1)</sup> Supplied without actuator. Please order separately (see page 9/59).



© Siemens AG 2010

## 3SE5, 3SE2 Position Switches With Separate Actuator

**3SE5, metal enclosures  
Enclosure width 31 mm according to EN 50047**

### Ordering data

· 5 directions of approach · IP66/IP67 · Cable entry M20 × 1.5

Version <sup>1)</sup>	Contacts	LEDs	DT	Complete units	<input type="checkbox"/>	PU (UNIT, SET, M)	PS*	PG
				Order No.	Price per PU			
<b>Enclosure width 31 mm according to EN 50047</b>								
<b>5 directions of approach</b>								
Slow-action contacts	1 NO + 1 NC --		↻ A	<b>3SE5 212-0RV40</b>		1	1 unit	102
Slow-action contacts	1 NO + 2 NC --		↻ B	<b>3SE5 212-0QV40</b>		1	1 unit	102
<b>With 2 LEDs, yellow/green</b>								
Slow-action contacts	1 NO + 1 NC 24 V DC		↻ B	<b>3SE5 212-1RV40</b>		1	1 unit	102
Slow-action contacts	1 NO + 1 NC 230 V AC		↻ B	<b>3SE5 212-3RV40</b>		1	1 unit	102

g according to IEC 60947-5-1, Appendix K.

<sup>1)</sup> Supplied without actuator. Please order separately (see page 9/59).



# 5, 3SE2 Position Switches

## Separate Actuator

Enclosures  
Width 40 mm acc. to EN 50041/56 mm

### Ordering data

5 directions of approach · Degree of protection IP66/IP67 · Cable entry M20 × 1.5

Version <sup>1)</sup>	Contacts	LEDs	DT	Complete units	<input type="checkbox"/>	PU (UNIT, SET, M)	PS*	PG
				Order No.	Price per PU			
<b>Width 40 mm according to EN 50041</b>								
<b>5 directions of approach</b>								
Slow-action contacts	1 NO + 2 NC --		⊙ ▶	<b>3SE5 112-0QV10</b>		1	1 unit	102
<b>With increased minimum pull-out force 30 N</b>								
Slow-action contacts	1 NO + 2 NC --		⊙ ▶	<b>3SE5 112-0QV10-1AA7</b>		1	1 unit	102
<b>With M12 connector socket, 5-pole (125 V, 4 A)</b>								
Slow-action contacts	1 NO + 1 NC --		⊙ B	<b>3SE5 114-0RV10-1AC5</b>		1	1 unit	102
Slow-action contacts	2 NC --		⊙ B	<b>3SE5 114-0QV10-1AE1</b>		1	1 unit	102
<b>With connector socket, 6-pole + PE (250 V, 10 A)</b>								
Slow-action contacts	1 NO + 2 NC --		⊙ B	<b>3SE5 115-0QV10-1AD1</b>		1	1 unit	102
<b>With 2 LEDs, yellow/green</b>								
Slow-action contacts	1 NO + 2 NC 24 V DC		⊙ B	<b>3SE5 112-1QV10</b>		1	1 unit	102
Slow-action contacts	1 NO + 2 NC 230 V AC		⊙ B	<b>3SE5 112-3QV10</b>		1	1 unit	102
<b>With M12 connector socket, 5-pole (125 V, 4 A) and 2 LEDs</b>								
Slow-action contacts	1 NO + 1 NC 24 V DC		⊙ B	<b>3SE5 114-1RV10-1AF3</b>		1	1 unit	102
<b>With connector socket, 6-pole + PE (10 A), and 2 LEDs</b>								
Slow-action contacts	1 NO + 1 NC 24 V DC		⊙ B	<b>3SE5 115-1RV10-1AF2</b>		1	1 unit	102
<b>Width 56 mm</b>								
<b>5 directions of approach</b>								
Slow-action contacts	1 NO + 2 NC --		⊙ B	<b>3SE5 122-0QV10</b>		1	1 unit	102
<b>With increased minimum pull-out force 30 N</b>								
Slow-action contacts	1 NO + 2 NC --		⊙ B	<b>3SE5 122-0QV10-1AA7</b>		1	1 unit	102
<b>With 2 LEDs, yellow/green</b>								
Slow-action contacts	1 NO + 2 NC 24 V DC		⊙ B	<b>3SE5 122-1QV10</b>		1	1 unit	102
Slow-action contacts	1 NO + 2 NC 230 V AC		⊙ B	<b>3SE5 122-3QV10</b>		1	1 unit	102

## 3SE5, 3SE2 Position Switches With Separate Actuator

### Accessories

#### Ordering data

Version	DT	Order No.	Price per PU	PU (UNIT, SET, M)	PS*	PG
<b>3SE5</b>						
<b>Standard actuators</b>						
• Length 75.6 mm	▶	<b>3SE5 000-0AV01</b>		1	1 unit	102
• With vertical fixing, length 53 mm	A	<b>3SE5 000-0AV02</b>		1	1 unit	102
• With transverse fixing, length 47 mm	A	<b>3SE5 000-0AV03</b>		1	1 unit	102
<b>Radius actuators, length 51 mm</b>						
• Direction of approach from the left	A	<b>3SE5 000-0AV04</b>		1	1 unit	102
• Direction of approach from the right	A	<b>3SE5 000-0AV06</b>		1	1 unit	102
<b>Universal radius actuators, length 77 mm</b>	A	<b>3SE5 000-0AV05</b>		1	1 unit	102
<b>Universal radius actuators, heavy-duty</b>						
• Length 67 mm	A	<b>3SE5 000-0AV07-1AK2</b>		1	1 unit	102
• Length 77 mm	A	<b>3SE5 000-0AV07</b>		1	1 unit	102
<b>Accessories for 3SE5</b>						
<b>Protective caps</b> made of black rubber for the actuator head, to protect the actuator openings from contamination (Only for enclosure width 40 or 56 mm)	B	<b>3SE5 000-0AV08-1AA2</b>		1	1 unit	102
<b>Blocking inserts</b> , high-grade steel, for actuator head, for up to 8 padlocks	C	<b>3SE5 000-0AV08-1AA3</b>		1	1 unit	102
<b>Accessories for 3SE5, 3SE2</b>						
<b>Connector sockets (4-pole), M12, fixed for M20 x 1.5</b> For max. 250 V, 4 A With 0.25 mm <sup>2</sup> connecting cable, plastic, degree of protection IP67, ambient temperature -40 to +85 °C	B	<b>3SY3 127</b>		1	1 unit	102
<b>Connector sockets (5-pole), M12, fixed for M20 x 1.5</b>	B	<b>3SY3 128</b>		1	1 unit	102

# 5, 3SE2 Position Switches

## Separate Actuator

Hard-plastic enclosures  
width 52 mm

### Ordering data

s

• 3 directions of approach • Degree of protection IP67

Version	Operation	DT	Complete units	<input type="checkbox"/>	PU (UNIT, SET, M)	PS*	PG
			Order No.	Price per PU			
<b>enclosures in special width of 52 mm</b>							
<b>Lateral and front-end actuation<sup>1)</sup></b>							
6 mm stroke							
• With M20 × 1.5 connecting thread							
- Slow-action contacts 1 NO + 2 NC	Holding force 5 N	↻ ▶	<b>3SE2 243-0XX40</b>		1	1 unit	102
	Holding force 30 N	↻ ▶	<b>3SE2 243-0XX</b>		1	1 unit	102
	With automatic ejection	↻ ▶	<b>3SE2 243-0XX30</b>		1	1 unit	102
- Slow-action contacts 1 NC							
	Holding force 5 N	↻ ▶	<b>3SE2 257-6XX40</b>		1	1 unit	102
	Holding force 30 N	↻ ▶	<b>3SE2 257-6XX</b>		1	1 unit	102
	With automatic ejection	↻ B	<b>3SE2 257-6XX30</b>		1	1 unit	102
• With M16 × 1.5 connecting thread							
- Slow-action contacts 1 NO + 2 NC	Holding force 5 N	↻ B	<b>3SE2 243-0XX48</b>		1	1 unit	102
	Holding force 30 N	↻ A	<b>3SE2 243-0XX18</b>		1	1 unit	102
	With automatic ejection	↻ C	<b>3SE2 243-0XX38</b>		1	1 unit	102
- Slow-action contacts 1 NC	Holding force 5 N	↻ B	<b>3SE2 257-6XX48</b>		1	1 unit	102
	Holding force 30 N	↻ C	<b>3SE2 257-6XX18</b>		1	1 unit	102
	With automatic ejection	↻ ▶	<b>3SE2 257-6XX38</b>		1	1 unit	102
<b>Actuators</b>							
• Standard actuators ( $r_{\min} = 150$ mm), length 28 mm		A	<b>3SX3 218</b>		1	1 unit	102
• Universal radius actuators ( $r_{\min} = 45$ mm), length 34 mm		A	<b>3SX3 228</b>		1	1 unit	102
• Radius actuators, adjustable radius, length 34 mm		D	<b>3SX3 256</b>		1	1 unit	102
• Ball locating, force adjustable up to 100 N by 2 screws, length 28 mm		A	<b>3SX3 217</b>		1	1 unit	102
• Actuators, length 34 mm, with dust protection and slit cover		D	<b>3SX3 234</b>		1	1 unit	102

# 3SE5, 3SE2 Position Switches With Interlocking

## General data

Position switches with interlocking are exceptional safety-relevant devices which prevent an unforeseen or intentional opening of doors, protective grills or other covers as long as a hazardous situation is present (i.e. follow-on operation of switched off machine).



Position switches with interlocking

Position switches with interlocking are comprised of both an electromechanical interlock and a mechanical interlock. The mechanical interlock has to be ordered separately.

These devices enable the greatest safety for man and machine.

Position switches with interlocking are offered in plastic or metal housing.

Dimensions (W × H × D):

Plastic housing: 100 mm × 185 mm × 43.5 mm,

Metal housing: 100 mm (+ head 41.3 mm) × 45 mm.

A mounting bracket is included in the scope of supply. For actuation directions it can be adjusted through  $4 \times 90^\circ$ . The mounting bracket can also be approached from above.

LEDs are not included in the scope of supply of the position switch. They must be ordered separately from a choice of six different colors for the application (see page 9/67).

Actuating speed  $v_{\max} = 1.5 \text{ m/s}$

Retracting speed  $v_{\min} = 0.4 \text{ mm/s}$

Force in the direction of actuation  $F_{\min} = 30 \text{ N}$

Not encoded. Simple overruling by hand or auxiliary power is possible.

### Locking devices

A high-grade steel locking device for attaching up to eight padlocks is available for even more safety (see page 9/67).

### Dust protection

A rubber cap to protect the twist actuator from contamination is available for operation in dusty environments (see page 9/67).

### Interlocking

There are two versions for locking the actuator:

- Spring-actuated lock (closed-circuit principle) with various release mechanisms
- Solenoid lock (open-circuit principle)

The spring-actuated switch is equipped with an auxiliary release for emergency situations or setup mode. Available as options:

- Escape release or
- Emergency release

### Contact blocks

The position switches with interlocking have one switching block each for:

- Monitoring the actuator or the position of the protective door
- Monitoring the position of the solenoid

The mechanical design of the switch corresponds to the requirements of the failsafe principle according to EN 1088.

### Optical signaling equipment

The position switches with interlocking are available with an optional optical signaling device.

The signaling device indicates the switch position of the lock and the protective device optically by means of 2 LEDs on the front.

Protective device	Solenoid interlocking	Display	Meaning
Closed	Released		Actuator to be pulled
Closed	Locked		Actuator locked
Open	Released		Actuator pulled

### Note:

The voltage of the LEDs at the monitored contacts must be the same as the operational voltage of the solenoid (same potential).



## 3SE5, 3SE2 Position Switches Locking

ation of 3SE5 3 position switches offers:

through higher locking forces:

in a molded-plastic enclosure  
in a metal enclosure

release mechanisms: lock release, escape release  
emergency release

locks each with three contacts as standard  
fewer versions needed

options for all enclosure variants:

or with integrated ASIsafe

range of actuators

LED status display 24 V DC, 115 V AC or 230 V AC  
versions

ASIsafe electronics integrated in the enclosure  
(94).

switches with interlocking are exceptional safety-re-  
lease devices which prevent an unforeseen or intentional open-  
ing of doors, protective grills or other covers as long as  
a hazardous situation is present (i.e. follow-on motion of the  
machine).

Interlocking switches with interlocking have the following

options for machine or process with closed and locked  
protective device

options for machine or process with opened protective

device and interlocking

comply with the standards IEC 60947-1  
(Switchgear and Controlgear, General) and  
(Electromechanical Control Circuit Devices).

The design of the switch corresponds to the require-  
ments for the safe principle according to EN 1088.

They are approved for use with locking devices accord-  
ing to EN 292, Parts 1 and 2.

Interlocking switches with interlocking bear the VDE test  
certificate according to GS-ET19 (Test Principles of the  
Association for Locking Devices with Electromag-  
netic Force).

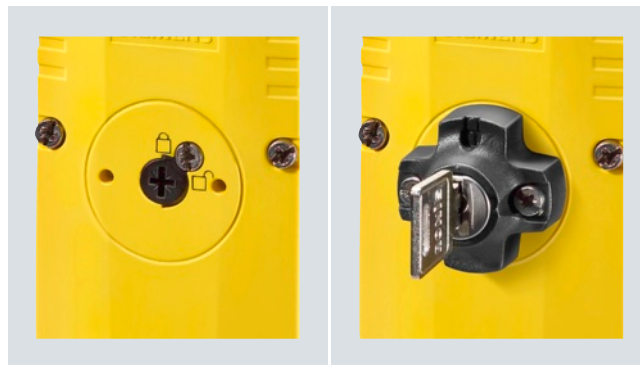
Enclosed position switches with interlocking have  
a test certificate from the BIA  
(Beratungsbüro für Arbeitssicherheit).

According to ISO 13849-1 (EN 954-1) can be at-  
tributed to a position switch with interlocking if the correspond-

There are two versions of locking:

### Spring-actuated lock (closed-circuit principle)

- In the standard version, the position switch locks by means of spring force and releases by means of electromagnetic force. In the case of voltage failure, it reliably prevents the protective device from opening when machine parts are still moving.
- The switch is equipped with an auxiliary release for emergency situations or setup mode.
- An auxiliary release which can be secured with a lock to prevent misuse is available as a version.



Auxiliary release

Auxiliary release with lock

The new 3SE5 3 position switches are also available with an es-  
cape release or emergency release.

- Personnel working inside the hazard zone can use the escape release feature to manually release the interlocking without tools from the escape side (hazardous area side) so that they can exit the hazard area. An intentional act (in this case pulling the gray actuator) is required to release the locking mechanism and restore the normal operating state.
- The emergency release enables someone in an emergency situation to manually release the interlock without tools from the access side (outside the hazardous area). Releasing the lock and restoring the normal operating state must require effort which is comparable to repair activity, in this case disassembly of the red actuator and resetting the mechanical lock.



© Siemens AG 2010

## 3SE5, 3SE2 Position Switches With Interlocking

### General data

#### Door interlocking



Door interlocking from Axellent



Door interlocking from Brühl

For more information on the applications of the manufacturers see Chapter 13 "External Partners".

#### Specifications

		3SE5 322	3SE5 312	3SE2 83, 3SE2 84	
		IEC 60947-5-1, EN 60947-5-1			
Rated voltage $U_i$	V	250			
acc. to EN 60664-1		Class 3			
Withstand voltage $U_{imp}$	kV	4		6	
Rated voltage $U_e$	V	24		24	
	V	230		110 ... 130	230
Rated thermal current $I_{th}$	A	6		10	
Rated current $I_e$ at 50/60 Hz		$I_e$ /AC-15 or B300		$I_e$ /AC-12	$I_e$ /AC-15
	A	6		10	4
	A	3		10	4
	A	1.5		10	4
		$I_e$ /DC-13 or Q300		$I_e$ /DC-12	$I_e$ /DC-13
	A	3		10	3
	A	0.55		--	--
	A	0.27		--	--
	--			5	1.5
	--			2.5	0.7
--			1	0.3	
Max. mounting height	N	1300	2600	1820	
according to GS-ET 19	N	1000	2000	1400	
Weight at $U_c$	W	3.5		5.2	
Protection <sup>1)</sup>					
Use links,	A	6		6	

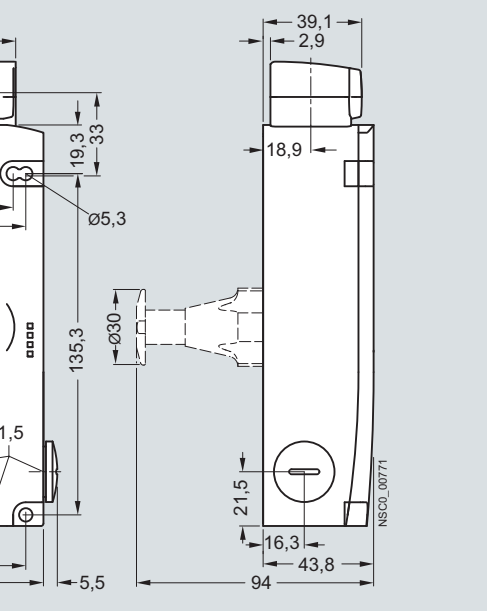


# 3SE5, 3SE2 Position Switches

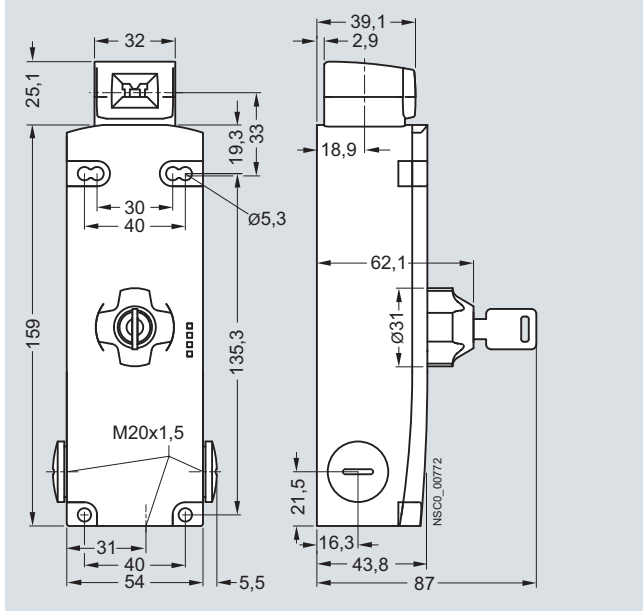
## Locking

### Operation

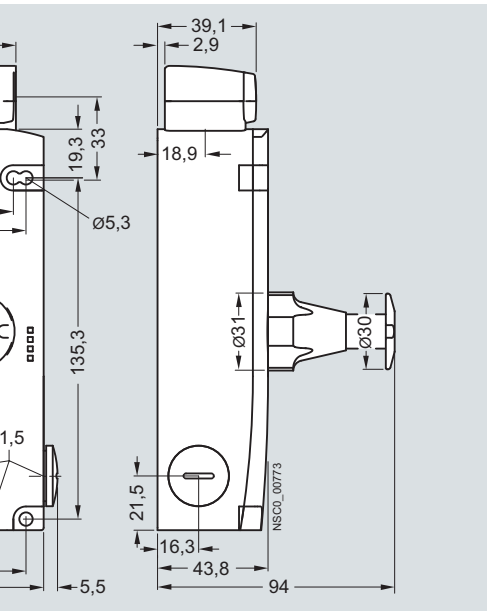
**Lock, with auxiliary release**  
 3SE5 322-.SG2., 3SE5 322-.SJ2.,  
 3SE5 312-.SG1., 3SE5 312-.SJ1.,



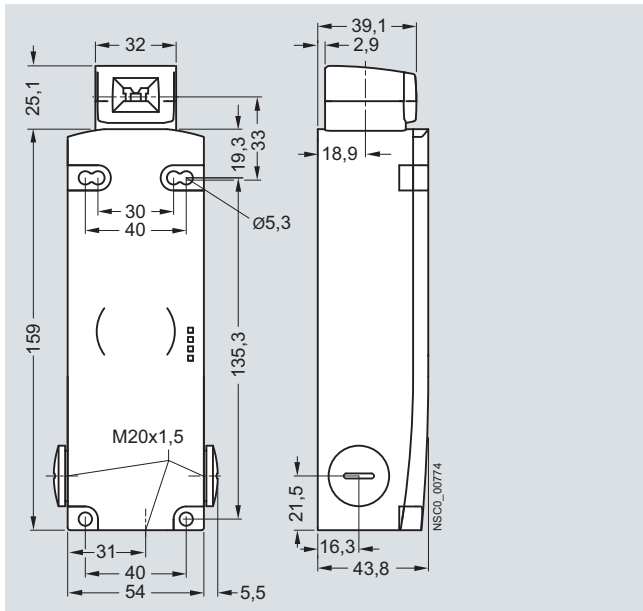
**Spring-actuated lock, with auxiliary release with lock**  
 3SE5 322-.SE2.,  
 3SE5 312-.SE1.



**Lock, with escape release**



**Solenoid lock**  
 3SE5 322-.SB2.,  
 3SE5 312-.SB1.





# 3SE5, 3SE2 Position Switches

## With Interlocking

**3SE5, molded-plastic enclosures**  
With locking force up to 1200 N

### Ordering data

Contacts · 5 directions of approach · Degree of protection IP66/IP67 · Cable entry 3 × M20 × 1.5  
300 N (1000 N according to GS-ET 19)

Interlock <sup>1)</sup>	LEDs	Solenoid, rated operational voltage	DT	Complete units Position monitoring: Actuators: 1 NO + 2 NC Solenoid: 1 NO + 2 NC	<input type="checkbox"/>	PU (UNIT, SET, M)	PS*	PG
		V		Order No.		Price per PU		
<b>locking force · Enclosure width 54 mm</b>								
<b>Spring-actuated locks</b>								
• With auxiliary release	--	24 DC	⊙ ▶	<b>3SE5 322-0SD21</b>		1	1 unit	102
	--	115 AC	⊙ B	<b>3SE5 322-0SD22</b>		1	1 unit	102
	--	230 AC	⊙ B	<b>3SE5 322-0SD23</b>		1	1 unit	102
	Yellow/Green	24 DC	⊙ A	<b>3SE5 322-1SD21</b>		1	1 unit	102
	Yellow/Green	115 AC	⊙ B	<b>3SE5 322-2SD22</b>		1	1 unit	102
	Yellow/Green	230 AC	⊙ B	<b>3SE5 322-3SD23</b>		1	1 unit	102
• With auxiliary release With lock	--	24 DC	⊙ B	<b>3SE5 322-0SE21</b>		1	1 unit	102
	--	115 AC	⊙ B	<b>3SE5 322-0SE22</b>		1	1 unit	102
	--	230 AC	⊙ B	<b>3SE5 322-0SE23</b>		1	1 unit	102
	Yellow/Green	24 DC	⊙ B	<b>3SE5 322-1SE21</b>		1	1 unit	102
	Yellow/Green	115 AC	⊙ B	<b>3SE5 322-2SE22</b>		1	1 unit	102
	Yellow/Green	230 AC	⊙ B	<b>3SE5 322-3SE23</b>		1	1 unit	102
• With escape release from the front	--	24 DC	⊙ B	<b>3SE5 322-0SF21</b>		1	1 unit	102
	--	115 AC	⊙ B	<b>3SE5 322-0SF22</b>		1	1 unit	102
	--	230 AC	⊙ B	<b>3SE5 322-0SF23</b>		1	1 unit	102
	Yellow/Green	24 DC	⊙ B	<b>3SE5 322-1SF21</b>		1	1 unit	102
	Yellow/Green	115 AC	⊙ B	<b>3SE5 322-2SF22</b>		1	1 unit	102
	Yellow/Green	230 AC	⊙ B	<b>3SE5 322-3SF23</b>		1	1 unit	102
• With escape release from the front and emergency release from the back	--	24 DC	⊙ B	<b>3SE5 322-0SL21</b>		1	1 unit	102
• With escape release from the back and auxiliary release from the front	--	24 DC	⊙ B	<b>3SE5 322-0SG21</b>		1	1 unit	102
	--	115 AC	⊙ B	<b>3SE5 322-0SG22</b>		1	1 unit	102
	--	230 AC	⊙ B	<b>3SE5 322-0SG23</b>		1	1 unit	102
	Yellow/Green	24 DC	⊙ B	<b>3SE5 322-1SG21</b>		1	1 unit	102
	Yellow/Green	115 AC	⊙ B	<b>3SE5 322-2SG22</b>		1	1 unit	102
	Yellow/Green	230 AC	⊙ B	<b>3SE5 322-3SG23</b>		1	1 unit	102
• With escape release from the back and auxiliary release with lock from the front	--	24 DC	⊙ B	<b>3SE5 322-0SH21</b>		1	1 unit	102
• With emergency release from the back and auxiliary release from the front	--	24 DC	⊙ B	<b>3SE5 322-0SJ21</b>		1	1 unit	102
	--	115 AC	⊙ B	<b>3SE5 322-0SJ22</b>		1	1 unit	102
	--	230 AC	⊙ B	<b>3SE5 322-0SJ23</b>		1	1 unit	102
	Yellow/Green	24 DC	⊙ B	<b>3SE5 322-1SJ21</b>		1	1 unit	102

# 3SE2 Position Switches

## Locking

### Enclosures

Force up to 2000 N

#### Ordering data

Contacts · 5 directions of approach · Degree of protection IP66/IP67 · Cable entry 3 × M20 × 1.5  
 2000 N (2000 N according to GS-ET 19)

Interlock <sup>1)</sup>	LEDs	Solenoid, rated operational voltage	DT	Complete units Position monitoring: Actuators: 1 NO + 2 NC Solenoid: 1 NO + 2 NC	<input type="checkbox"/>	PU (UNIT, SET, M)	PS*	PG
		V		Order No.	Price per PU			
<b>Force · Enclosure width 54 mm</b>								
<b>Spring-actuated locks</b>								
• With auxiliary release	--	24 DC	⊙ ▶	<b>3SE5 312-0SD11</b>		1	1 unit	102
	--	115 AC	⊙ B	<b>3SE5 312-0SD12</b>		1	1 unit	102
	--	230 AC	⊙ B	<b>3SE5 312-0SD13</b>		1	1 unit	102
	Yellow/Green	24 DC	⊙ B	<b>3SE5 312-1SD11</b>		1	1 unit	102
	Yellow/Green	115 AC	⊙ B	<b>3SE5 312-2SD12</b>		1	1 unit	102
	Yellow/Green	230 AC	⊙ B	<b>3SE5 312-3SD13</b>		1	1 unit	102
• With auxiliary release With lock	--	24 DC	⊙ B	<b>3SE5 312-0SE11</b>		1	1 unit	102
	--	115 AC	⊙ B	<b>3SE5 312-0SE12</b>		1	1 unit	102
	--	230 AC	⊙ B	<b>3SE5 312-0SE13</b>		1	1 unit	102
		48 AC/DC	⊙ C	<b>3SE5 312-0SE14</b>		1	1 unit	102
	Yellow/Green	24 DC	⊙ B	<b>3SE5 312-1SE11</b>		1	1 unit	102
	Yellow/Green	115 AC	⊙ B	<b>3SE5 312-2SE12</b>		1	1 unit	102
	Yellow/Green	230 AC	⊙ B	<b>3SE5 312-3SE13</b>		1	1 unit	102
• With escape release from the front	--	24 DC	⊙ B	<b>3SE5 312-0SF11</b>		1	1 unit	102
	--	115 AC	⊙ B	<b>3SE5 312-0SF12</b>		1	1 unit	102
	--	230 AC	⊙ B	<b>3SE5 312-0SF13</b>		1	1 unit	102
	Yellow/Green	24 DC	⊙ B	<b>3SE5 312-1SF11</b>		1	1 unit	102
	Yellow/Green	115 AC	⊙ B	<b>3SE5 312-2SF12</b>		1	1 unit	102
	Yellow/Green	230 AC	⊙ B	<b>3SE5 312-3SF13</b>		1	1 unit	102
• With escape release from the back and auxiliary release from the front	--	24 DC	⊙ B	<b>3SE5 312-0SG11</b>		1	1 unit	102
	--	115 AC	⊙ B	<b>3SE5 312-0SG12</b>		1	1 unit	102
	--	230 AC	⊙ B	<b>3SE5 312-0SG13</b>		1	1 unit	102
	Yellow/Green	24 DC	⊙ B	<b>3SE5 312-1SG11</b>		1	1 unit	102
	Yellow/Green	115 AC	⊙ B	<b>3SE5 312-2SG12</b>		1	1 unit	102
	Yellow/Green	230 AC	⊙ B	<b>3SE5 312-3SG13</b>		1	1 unit	102
• With escape release from the back and auxiliary release with lock from the front	--	24 DC	⊙ B	<b>3SE5 312-0SH11</b>		1	1 unit	102
• With emergency release from the back and auxiliary release from the front	--	24 DC	⊙ B	<b>3SE5 312-0SJ11</b>		1	1 unit	102
	--	115 AC	⊙ B	<b>3SE5 312-0SJ12</b>		1	1 unit	102
	--	230 AC	⊙ B	<b>3SE5 312-0SJ13</b>		1	1 unit	102
	Yellow/Green	24 DC	⊙ B	<b>3SE5 312-1SJ11</b>		1	1 unit	102
	Yellow/Green	115 AC	⊙ B	<b>3SE5 312-2SJ12</b>		1	1 unit	102
	Yellow/Green	230 AC	⊙ B	<b>3SE5 312-3SJ13</b>		1	1 unit	102

## 3SE5, 3SE2 Position Switches With Interlocking

### Accessories

#### Ordering data

Version	DT	Order No.	Price per PU	PU (UNIT, SET, M)	PS*	PG
<b>3SE5</b>						
<b>Standard actuators</b>						
<ul style="list-style-type: none"> <li>Length 75.6 mm</li> </ul>	▶	<b>3SE5 000-0AV01</b>		1	1 unit	102
<ul style="list-style-type: none"> <li>With vertical fixing, length 53 mm</li> </ul>	A	<b>3SE5 000-0AV02</b>		1	1 unit	102
<ul style="list-style-type: none"> <li>With transverse fixing, length 47 mm</li> </ul>	A	<b>3SE5 000-0AV03</b>		1	1 unit	102
<b>Radius actuators, length 51 mm</b>						
<ul style="list-style-type: none"> <li>Direction of approach from the left</li> </ul>	A	<b>3SE5 000-0AV04</b>		1	1 unit	102
<ul style="list-style-type: none"> <li>Direction of approach from the right</li> </ul>	A	<b>3SE5 000-0AV06</b>		1	1 unit	102
<ul style="list-style-type: none"> <li><b>Universal radius actuators, length 77 mm</b></li> </ul>	A	<b>3SE5 000-0AV05</b>		1	1 unit	102
<b>Universal radius actuators, heavy-duty</b>						
<ul style="list-style-type: none"> <li>Length 67 mm</li> </ul>	A	<b>3SE5 000-0AV07-1AK2</b>		1	1 unit	102
<ul style="list-style-type: none"> <li>Length 77 mm</li> </ul>	A	<b>3SE5 000-0AV07</b>		1	1 unit	102
<b>Accessories for 3SE5</b>						
<ul style="list-style-type: none"> <li><b>Protective caps</b> made of black rubber for the actuator head, to protect the actuator openings from contamination</li> </ul>	B	<b>3SE5 000-0AV08-1AA2</b>		1	1 unit	102
<ul style="list-style-type: none"> <li><b>Blocking inserts</b>, high-grade steel, for actuator head, for up to 8 padlocks</li> </ul>	C	<b>3SE5 000-0AV08-1AA3</b>		1	1 unit	102
<b>Accessories for 3SE5</b>						
<ul style="list-style-type: none"> <li><b>Spare keys</b></li> </ul>	B	<b>3SX5 100-1F</b>		1	1 unit	102
<b>Accessories for 3SE5, 3SE2</b>						
<ul style="list-style-type: none"> <li><b>Connector sockets (4-pole), M12, fixed for M20 × 1.5</b></li> <li>For max. 250 V, 4 A</li> <li>With 0.25 mm<sup>2</sup> connecting cable, plastic, degree of protection IP67, ambient temperature -40 to +85 °C</li> </ul>	B	<b>3SY3 127</b>		1	1 unit	102

## 3SE5, 3SE2 Position Switches

Switches have the same enclosures as the standard (alar system).



Switches are available as complete units in two enclosure versions:

• Plastic enclosures according to EN 50047, 31 mm wide, 1 cable entry

• Metal enclosures according to EN 50041, 40 mm wide, 1 cable entry

### Options

Two versions can be selected for the enclosures:

• Two or three-pole switching elements designed for safety contacts

• Enclosures for explosion protection (ATEX) (see pages 9/97 and 9/98)

• Version with integrated ASIsafe electronics for all safety signals (see page 9/97)

For more information on the basic switches see page 9/4.

### Mounting

Switches are provided for mounting on hinges. The dimensions are included in the scope of supply. There are two mounting mechanisms:

• Mounting mechanism with hollow shaft, inner diameter 8 mm, length 10 mm

• Mounting mechanism with solid shaft, diameter 10 mm, length 10 mm

### Benefits

The 3SE5 hinge switches differ from the previous series through the following new characteristics:

- All actuators can be turned around the axis in increments of 22.5° (see picture on page 9/5).
- The new three-pole contact block 1 NO + 2 NC is available for all enclosure sizes (see picture on page 9/5).
- The molded-plastic enclosure with a width of 31 mm has simple and fast wiring equipment which makes it possible to save from approx. 20 to 25 % of the time when connecting (see picture on page 9/5).
- The ASIsafe electric component is integrated for the versions with the AS-Interface connection (see page 9/82); an additional adapter is not required.

### Application

The hinge switches are used in those areas where the position of swivelable protective devices such as doors or flaps must be monitored. The position of the doors and hinge switches is converted into electric signals with the switches. The switches allow shutdown and signaling without delay in the event of a small opening angle through the snap-action contacts with an operating angle of 10°.

Devices are available with enclosure versions to suit the particular ambient conditions. Different control tasks can be performed with the best contact blocks suited for the particular purpose. Dimensions and fixing points of the enclosures are in accordance with EN 50041 or EN 50047 standards.

The devices are suitable for use in any climate.

### Standards

IEC 60947-5-1 or EN 60947-5-1.

The protective measure of "total insulation" by the molded-plastic enclosure is guaranteed by the use of molded-plastic screw-glands.

### Safety position switches

For controls according to IEC 60204-1 or EN 60204-1 the devices can be used as a safety position switch. To secure position switches against changes in their position, keyed techniques must be employed on installation.

### Safety circuits

IEC 60947-5-1 and EN 60947-5-1 require positive opening of the NC contacts, i.e. for the purposes of personal safety, the assured opening of NC contacts is expressly stipulated for the electrical equipment of machines in all safety circuits and marked according to IEC 60947-5-1 with the symbol

Category 4 according to EN 954-1 can be attained with the 3SE5 hinge switches with if the corresponding failsafe evaluation units are selected and correctly installed, e.g. the 3TK28 safety relays or matching devices from the ASIsafe, SIMATIC or SIMATIC

# 3SE5, 3SE2 Position Switches Hinge Switches

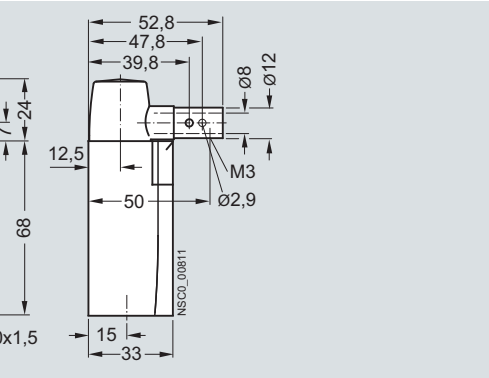
## General data

### Specifications

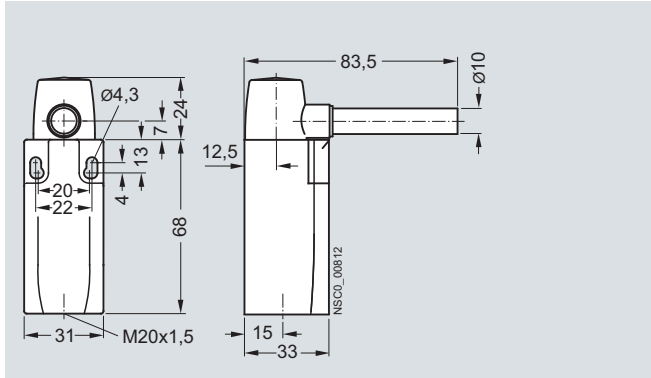
Specifications are the same as for the standard (page 9/7).

31 mm

3SE5 232-0.U21

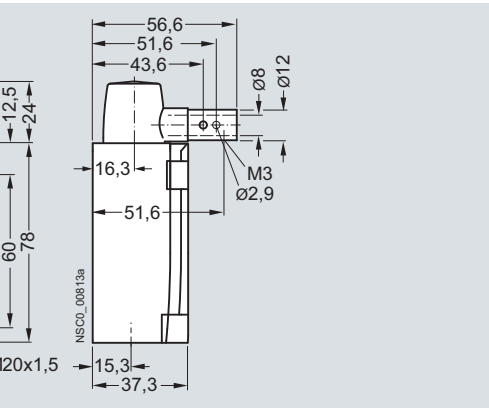


With solid shaft  
3SE5 212-0.U22, 3SE5 232-0.U22

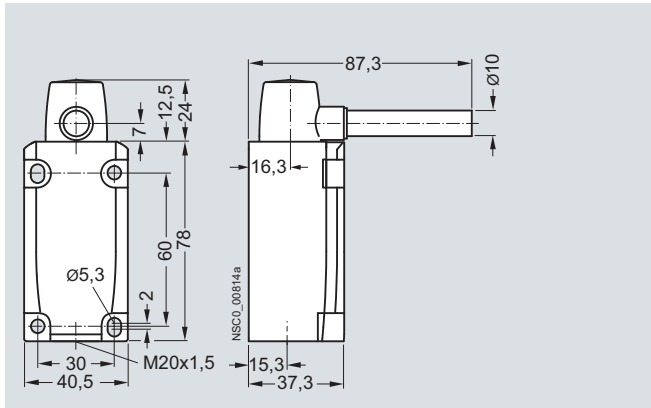


40 mm

3SE5 132-0.U21



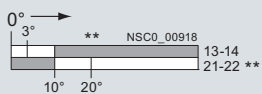
With solid shaft  
3SE5 112-0.U22, 3SE5 132-0.U22



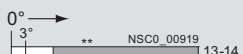
### Angle of the shaft

acts

nt. No. 11



nt. No. 12



# 3SE2 Position Switches

Enclosures  
Enclosure width 31 mm / 40 mm

## Ordering data

Degree of protection IP65 (31 mm) or IP67/IP68 (40 mm) · Cable entry M20 × 1.5

Version	Snap-action contacts	DT	Complete units <input type="checkbox"/>	Order No.	Price per PU	PU (UNIT, SET, M)	PS*	PG
<b>Enclosures - Enclosure width 31 mm according to EN 50047</b>								
<b>With hollow shaft</b>								
Operating angle 10°	1 NO + 1 NC	⊙ B	3SE5 232-0HU21			1	1 unit	102
Operating angle 10°	1 NO + 2 NC	⊙ B						
<b>With solid shaft</b>								
Operating angle 10°	1 NO + 1 NC	⊙ B	3SE5 232-0HU22			1	1 unit	102
Operating angle 10°	1 NO + 2 NC	⊙ B						
<b>Enclosures - Enclosure width 40 mm according to EN 50041</b>								
<b>With hollow shaft</b>								
Operating angle 10°	1 NO + 2 NC	⊙ B	3SE5 132-0LU21			1	1 unit	102
<b>With solid shaft</b>								
Operating angle 10°	1 NO + 2 NC	⊙ B	3SE5 132-0LU22			1	1 unit	102

according to IEC 60947-5-1, Appendix K.

## Ordering parts

Version	DT	Order No.	Price per PU	PU (UNIT, SET, M)	PS*	PG
---------	----	-----------	--------------	-------------------	-----	----

© Siemens AG 2010

# 3SE5, 3SE2 Position Switches

## Hinge Switches

**3SE5, metal enclosures**  
Enclosure width 31 mm / 40 mm

### Ordering data

s

degree of protection IP66/IP67 · Cable entry M20 × 1.5

Version	Snap-action contacts	DT	Complete units <input type="checkbox"/>	PU (UNIT, SET, M)	PS*	PG
			Order No.	Price per PU		

#### Enclosures • Enclosure width 31 mm according to EN 50047

##### With hollow shaft

Operating angle 10°      1 NO + 2 NC      ↻ B      **3SE5 212-0LU21**      1      1 unit      102

##### With solid shaft

Operating angle 10°      1 NO + 2 NC      ↻ B      **3SE5 212-0LU22**      1      1 unit      102

#### Enclosures • Enclosure width 40 mm according to EN 50041

##### With hollow shaft

Operating angle 10°      1 NO + 2 NC      ↻ B      **3SE5 112-0LU21**      1      1 unit      102

##### With solid shaft

Operating angle 10°      1 NO + 2 NC      ↻ B      **3SE5 112-0LU22**      1      1 unit      102



according to IEC 60947-5-1, Appendix K.

### Ordering data

Version	DT	Order No.	Price per PU	PU (UNIT, SET, M)	PS*	PG
---------	----	-----------	--------------	-------------------	-----	----

# 3SE2 Position Switches

plastic enclosures  
integrated hinge

Hinge switches are particularly suitable for use in machines that must be closed to ensure the safety of operating personnel. Their thin profile and compact design allow them to be directly mounted on a hinged protective table frame.

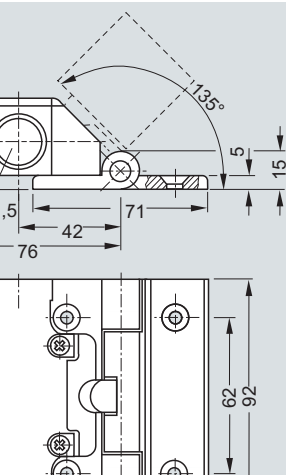
## Benefits

- Easy mounting through use of versions with integrated hinge
- Versions with small operating angle of 4°
- Protection against personal injury provided by positively driven NC contacts according to IEC 60947-5-1
- Simultaneous shutdown and reporting by 1 NO + 2 NC contacts

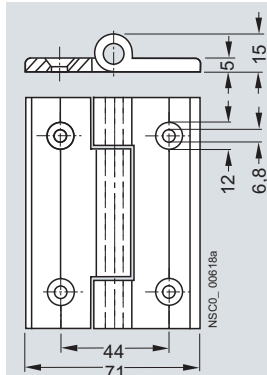
## Specifications

3SE2 283		
Rated voltage $U_i$	V	250
Rated thermal current $I_{th}$	A	2.5
Rated inrush current $I_e$	A	4.2
	A	2
	A	1
Rated capacity	> 5 V / 1 mA	
<b>Protection</b>		
Rated breaking capacity gG	A	2
Rated switching frequency	> $1 \times 10^6$ operating cycles	
Rated switching frequency	1200 operating cycles/hour	
Rated switching frequency	2 mm after opening point	
Material	Plastic	
Protection class	IP65	
Operating temperature	°C	-25 ... +65
Operating time	30 g/18 ms	
Operating frequency	20 g/10 ... 200 Hz	
Mounting holes	2 × (M20 × 1.5)	
Wiring	0.5 ... 1.5 mm <sup>2</sup> /AWG 15	

Hinge switch with hinge



3SX3 225 additional hinge





# 3SE5, 3SE2 Position Switches

## Hinge Switches

**3SE2, molded-plastic enclosures  
With integrated hinge**

### Ordering data

Degree of protection IP65 · Cable entry 2 × (M20 × 1.5)

Version	Slow-action contacts	DT	Complete units	<input type="checkbox"/>	PU (UNIT, SET, M)	PS*	PG
		Order No.	Price per PU				

### enclosures with integrated hinge

#### With integrated hinge

(Delivery includes additional hinge and fixing accessories)

#### • Aluminum hinge

- Operating angle 4°	1 NO + 2 NC	↻ A	<b>3SE2 283-0GA43</b>		1	1 unit	102
- Operating angle 4°	3 NC	↻ B	<b>3SE2 283-6GA43</b>		1	1 unit	102
- Operating angle 8°	1 NO + 2 NC	↻ C	<b>3SE2 283-0GA53</b>		1	1 unit	102
- Operating angle 8°	3 NC	↻ C	<b>3SE2 283-6GA53</b>		1	1 unit	102

#### • High-grade steel hinge

- Operating angle 4°	1 NO + 2 NC	↻ B	<b>3SE2 283-0GA44</b>		1	1 unit	102
- Operating angle 4°	3 NC	↻ C	<b>3SE2 283-6GA44</b>		1	1 unit	102

according to IEC 60947-5-1, Appendix K.

### Accessory parts

Version	DT	Order No.	Price per PU	PU (UNIT, SET, M)	PS*	PG
<b>Additional hinges</b> (delivered with fixing accessories)						
• Made of aluminum	↻ D	<b>3SX3 225</b>		1	1 unit	102
• Made of high-grade steel	↻ D	<b>3SX3 231</b>		1	1 unit	102

© Siemens AG 2010

## 5, 3SE2 Position Switches Explosion Protection (ATEX)

Enclosures  
Width 31 mm / 40 mm / 56 mm



according to ATEX with grounding screw

Switches in a metal enclosure including the hinge switch with a separate actuator are also available in version for use in areas with combustible dust.

Switches are not suitable for operation in areas with gas or vapour. An exception is the type of protection intrinsic safety. "simple electrical equipment" is possible (see IEC 60079-28:49).

To ensure the maximum possible safety in these areas, the most countries have drawn up requirements in the form of regulations and standards which these switches must meet. See the letter.

Switches comply with Directive 94/9/EC II2D (ATEX 95) of the European Union and are approved for Zone 21/22. For more information, see [www.siemens.com/industrial-controls/atex](http://www.siemens.com/industrial-controls/atex).

Switches have a grounding screw on the outside of the enclosure but are otherwise identical with the standard enclosures. The terminal coverings are closed with protective caps upon


## 3SE5, 3SE2 Position Switches For Explosion Protection (ATEX)

**3SE5, metal enclosures  
Enclosure width 31 mm according to EN 50047**

### Ordering data

m


Degree of protection IP66/IP67 · Cable entry M20 × 1.5

Version	Contacts	DT	Modular system		PU (UNIT, SET, M)	PS*	PG
			Order No.	Price per PU			
<b>Enclosure width 31 mm according to EN 50047 (plunger<sup>1)</sup>)</b>							
<b>With M20 × 1.5 connecting thread</b>							
Slow-action contacts	1 NO + 1 NC	⊕ B	<b>3SE5 212-0BC05-1DA0</b>		1	1 unit	102
Snap-action contacts	1 NO + 1 NC	⊕ B	<b>3SE5 212-0CC05-1DA0</b>		1	1 unit	102
Slow-action contacts	1 NO + 2 NC	⊕ B	<b>3SE5 212-0KC05-1DA0</b>		1	1 unit	102
Snap-action contacts	1 NO + 2 NC	⊕ B	<b>3SE5 212-0LC05-1DA0</b>		1	1 unit	102
Slow-action contacts with make-before-break	1 NO + 2 NC	⊕ B	<b>3SE5 212-0MC05-1DA0</b>		1	1 unit	102
Slow-action contacts	2 NO + 1 NC	⊕ B	<b>3SE5 212-0PC05-1DA0</b>		1	1 unit	102

g according to IEC 60947-5-1, Appendix K, or  
a actuator, necessary in safety circuits.

width 31 mm the basic switch is a complete unit with  
r.

*Note: For selection aid, see page 9/12.*


Version	Diameter	DT	Modular system		PU (UNIT, SET, M)	PS*	PG
			Order No.	Price per PU			
<b>Mechanisms</b>							
<b>Plain plungers</b>							
High-grade steel plungers	10	⊕ A	<b>3SE5 000-0AB01</b>		1	1 unit	102
<b>Roller plungers, type C acc. to EN 50047</b>							
Plastic rollers	10	⊕ A	<b>3SE5 000-0AD03</b>		1	1 unit	102
High-grade steel rollers	10	⊕ B	<b>3SE5 000-0AD04</b>		1	1 unit	102
<b>Roller plungers with central fixing</b>							
Plastic rollers	10	⊕ B	<b>3SE5 000-0AD10</b>		1	1 unit	102
High-grade steel rollers	10	⊕ B	<b>3SE5 000-0AD11</b>		1	1 unit	102



# 5, 3SE2 Position Switches

## Flame Protection (ATEX)

Enclosures  
Width 31 mm according to EN 50047

Version	Diameter	DT	Modular system		PU (UNIT, SET, M)	PS*	PG
	mm		Order No.	Price per PU			
<b>Mechanisms</b>							
<b>Roller levers, type E acc. to EN 50047</b>							
Metal lever, plastic roller	13	⊙ A	<b>3SE5 000-0AE10</b>		1	1 unit	102
Metal lever, high-grade steel roller	13	⊙ B	<b>3SE5 000-0AE11</b>		1	1 unit	102
High-grade steel lever, plastic roller	13	⊙ B	<b>3SE5 000-0AE12</b>		1	1 unit	102
High-grade steel lever, high-grade steel roller	13	⊙ B	<b>3SE5 000-0AE13</b>		1	1 unit	102
<b>Angular roller levers</b>							
Metal lever, plastic roller	13	⊙ A	<b>3SE5 000-0AF10</b>		1	1 unit	102
Metal lever, high-grade steel roller	13	⊙ B	<b>3SE5 000-0AF11</b>		1	1 unit	102
High-grade steel lever, plastic roller	13	⊙ A	<b>3SE5 000-0AF12</b>		1	1 unit	102
High-grade steel lever, high-grade steel roller	13	⊙ B	<b>3SE5 000-0AF13</b>		1	1 unit	102
<b>Spring rods (for switches with snap-action contacts only)</b>							
Plastic plunger:							
• Length 142.5 mm (spring 50 mm, plunger 50 mm)		B	<b>3SE5 000-0AR01</b>		1	1 unit	102
• Length 76 mm (spring 23.5 mm, plunger 10 mm)		B	<b>3SE5 000-0AR03</b>		1	1 unit	102
• Length 242.5 mm (spring 150 mm, plunger 50 mm)		B	<b>3SE5 000-0AR04</b>		1	1 unit	102
High-grade steel plunger:							
• Length 142.5 mm (spring 50 mm, plunger 50 mm)		B	<b>3SE5 000-0AR02</b>		1	1 unit	102
<b>Actuators</b>							
<b>Twist actuators, plastic (without lever)</b>							
Switching right and/or left, adjustable		⊙ A	<b>3SE5 000-0AK00</b>		1	1 unit	102
<b>Levers for twist actuators</b>							
<b>Twist levers, straight, type A acc. to EN 50047</b>							
Metal lever 21 mm, plastic roller	19	⊙ A	<b>3SE5 000-0AA21</b>		1	1 unit	102
Metal lever 21 mm, high-grade steel roller	19	⊙ B	<b>3SE5 000-0AA22</b>		1	1 unit	102
Metal lever 21 mm, roller with ball bearing	19	⊙ B	<b>3SE5 000-0AA23</b>		1	1 unit	102
Metal lever 21 mm, plastic roller	30	⊙ B	<b>3SE5 000-0AA25</b>		1	1 unit	102
High-grade steel lever 21 mm, plastic roller	19	⊙ B	<b>3SE5 000-0AA31</b>		1	1 unit	102
High-grade steel lever 21 mm, high-grade steel roller	19	⊙ B	<b>3SE5 000-0AA32</b>		1	1 unit	102
<b>Twist levers 30 mm, straight<sup>1)</sup></b>							
Metal lever, plastic roller	19	⊙ B	<b>3SE5 000-0AA24</b>		1	1 unit	102
Metal lever, plastic roller	30	⊙ B	<b>3SE5 000-0AA26</b>		1	1 unit	102
<b>Twist levers, adjustable length, with grid hole</b>							
Metal lever, plastic roller	19	⊙ B	<b>3SE5 000-0AA60</b>		1	1 unit	102
Metal lever, high-grade steel roller	19	⊙ B	<b>3SE5 000-0AA61</b>		1	1 unit	102
Metal lever, plastic roller	50	⊙ B	<b>3SE5 000-0AA67</b>		1	1 unit	102
Metal lever, rubber roller	50	⊙ B	<b>3SE5 000-0AA68</b>		1	1 unit	102
High-grade steel lever, plastic roller	19	⊙ B	<b>3SE5 000-0AA62</b>		1	1 unit	102
High-grade steel lever, high-grade steel roller	19	⊙ B	<b>3SE5 000-0AA63</b>		1	1 unit	102
<b>Twist levers, adjustable length</b>							
Metal lever, plastic roller	19	A	<b>3SE5 000-0AA50</b>		1	1 unit	102
Metal lever, high-grade steel roller	19	B	<b>3SE5 000-0AA51</b>		1	1 unit	102
Metal lever, plastic roller	30	B	<b>3SE5 000-0AA55</b>		1	1 unit	102
Metal lever, plastic roller	50	B	<b>3SE5 000-0AA57</b>		1	1 unit	102
Metal lever, rubber roller	50	B	<b>3SE5 000-0AA58</b>		1	1 unit	102

© Siemens AG 2010

## 3SE5, 3SE2 Position Switches For Explosion Protection (ATEX)

**3SE5, metal enclosures  
Enclosure width 31 mm according to EN 50047**

### Switches with separate actuator · Complete units

Approach · 3 contacts · Degree of protection IP66/IP67 · Cable entry M20 × 1.5

Version <sup>1)</sup>	Contacts	DT	Complete units	<input type="checkbox"/>	PU (UNIT, SET, M)	PS*	PG
			Order No.	Price per PU			
<b>Enclosure width 31 mm according to EN 50047</b>							
<b>With M20 × 1.5 connecting thread</b>							
Slow-action contacts	1 NO + 2 NC	↻ B	<b>3SE5 212-0QV40-1DA0</b>		1	1 unit	102

according to IEC 60947-5-1, Appendix K.  
with separate actuator. Please order separately ([see page 9/59](#)).

### Switches · Complete units

Degree of protection IP66/IP67 · Cable entry M20 × 1.5

Version	Snap-action contacts	DT	Complete units	<input type="checkbox"/>	PU (UNIT, SET, M)	PS*	PG
			Order No.	Price per PU			
<b>Enclosure width 31 mm according to EN 50047</b>							
<b>With hollow shaft, Ø 8/12 mm</b>							
Operating angle 10°	1 NO + 2 NC	↻ B	<b>3SE5 212-0LU21-1DA0</b>		1	1 unit	102
<b>With solid shaft, Ø = 10 mm</b>							
Operating angle 10°	1 NO + 2 NC	↻ B	<b>3SE5 212-0LU22-1DA0</b>		1	1 unit	102

according to IEC 60947-5-1, Appendix K, or  
with separate actuator, usable in safety circuits.



# 3SE2 Position Switches

## Flame Protection (ATEX)

Enclosures  
Width 40 mm acc. to EN 50041/56 mm

### Ordering data

Degree of protection IP66/IP67 · Cable entry M20 × 1.5

Version	Snap-action contacts	DT	Complete units <input type="checkbox"/>	PU (UNIT, SET, M)	PS*	PG
		Order No.	Price per PU			
<b>Width 40 mm according to EN 50041</b>						
<b>With M20 × 1.5 connecting thread</b>						
Snap-action contacts	1 NO + 1 NC					
• Rounded plungers, high-grade steel, with 3 mm overtravel		⊕ B	<b>3SE5 112-0CC02-1DA0</b>	1	1 unit	102
• Roller plungers, high-grade steel roller, with 3 mm overtravel		⊕ B	<b>3SE5 112-0CD02-1DA0</b>	1	1 unit	102
• Roller levers, high-grade steel lever, plastic roller		⊕ B	<b>3SE5 112-0CE03-1DA0</b>	1	1 unit	102
• Angular roller levers, high-grade steel lever, plastic roller		⊕ B	<b>3SE5 112-0CF03-1DA0</b>	1	1 unit	102
• Spring rods, length 142.5 mm Plastic plunger		B	<b>3SE5 112-0CR01-1DA0</b>	1	1 unit	102
• Twist levers, high-grade steel lever, plastic roller		⊕ B	<b>3SE5 112-0CH11-1DA0</b>	1	1 unit	102
• Twist levers, adjustable length High-grade steel lever, plastic roller		B	<b>3SE5 112-0CH52-1DA0</b>	1	1 unit	102
• Fork levers, high-grade steel lever, plastic roller		⊕ B	<b>3SE5 112-0CT13-1DA0</b>	1	1 unit	102
• Rod actuators, aluminum rod, length 200 mm		B	<b>3SE5 112-0CH80-1DA0</b>	1	1 unit	102
• Rod actuators, plastic rod, length 200 mm		B	<b>3SE5 112-0CH82-1DA0</b>	1	1 unit	102
<b>Width 56 mm</b>						
<b>With 3 x M20 x 1.5 connecting thread</b>						
Snap-action contacts	1 NO + 1 NC					
• Rounded plungers, high-grade steel, with overtravel		⊕ B	<b>3SE5 122-0CC02-1DA0</b>	1	1 unit	102
• Roller plungers, high-grade steel roller		⊕ B	<b>3SE5 122-0CD02-1DA0</b>	1	1 unit	102
• Roller levers, high-grade steel lever, plastic roller		⊕ B	<b>3SE5 122-0CE03-1DA0</b>	1	1 unit	102
• Angular roller levers, high-grade steel lever, plastic roller		⊕ B	<b>3SE5 122-0CF03-1DA0</b>	1	1 unit	102
• Spring rods, length 142.5 mm Plastic plunger		B	<b>3SE5 122-0CR01-1DA0</b>	1	1 unit	102
• Twist levers, high-grade steel lever, plastic roller		⊕ B	<b>3SE5 122-0CH11-1DA0</b>	1	1 unit	102

## 3SE5, 3SE2 Position Switches For Explosion Protection (ATEX)

**3SE5, metal enclosures  
Enclosure width 40 mm acc. to EN 50041/56 mm**

m

Degree of protection IP66/IP67 · Cable entry M20 × 1.5

Version	Contacts	DT	Modular system	PU (UNIT, SET, M)	PS*	PG
			Order No.	Price per PU		
<b>Enclosure width 40 mm acc. to EN 50041</b>						
<b>With M20 × 1.5 connecting thread</b>						
Slow-action contacts	1 NO + 1 NC	⊙ B	<b>3SE5 112-0BA00-1DA0</b>	1	1 unit	102
Snap-action contacts	1 NO + 1 NC	⊙ B	<b>3SE5 112-0CA00-1DA0</b>	1	1 unit	102
Slow-action contacts	1 NO + 2 NC	⊙ B	<b>3SE5 112-0KA00-1DA0</b>	1	1 unit	102
Snap-action contacts	1 NO + 2 NC	⊙ B	<b>3SE5 112-0LA00-1DA0</b>	1	1 unit	102
Slow-action contacts with make-before-break	1 NO + 2 NC	⊙ B	<b>3SE5 112-0MA00-1DA0</b>	1	1 unit	102
Slow-action contacts	2 NO + 1 NC	⊙ B	<b>3SE5 112-0PA00-1DA0</b>	1	1 unit	102
<b>Enclosure width 56 mm</b>						
<b>With 3 × M20 × 1.5 connecting thread</b>						
Slow-action contacts	1 NO + 1 NC	⊙ B	<b>3SE5 122-0BA00-1DA0</b>	1	1 unit	102
Snap-action contacts	1 NO + 1 NC	⊙ B	<b>3SE5 122-0CA00-1DA0</b>	1	1 unit	102
Slow-action contacts	1 NO + 2 NC	⊙ B	<b>3SE5 122-0KA00-1DA0</b>	1	1 unit	102
Snap-action contacts	1 NO + 2 NC	⊙ B	<b>3SE5 122-0LA00-1DA0</b>	1	1 unit	102
Slow-action contacts with make-before-break	1 NO + 2 NC	⊙ B	<b>3SE5 122-0MA00-1DA0</b>	1	1 unit	102
Slow-action contacts	2 NO + 1 NC	⊙ B	<b>3SE5 122-0PA00-1DA0</b>	1	1 unit	102
<b>Enclosure width 56 mm, XL</b>						
<b>With 3 × M20 × 1.5 connecting thread</b>						
Slow-action contacts	2 × (1 NO + 1 NC)	⊙ B	<b>3SE5 162-0BA00-1DA0</b>	1	1 unit	102
Snap-action contacts	2 × (1 NO + 1 NC)	⊙ B	<b>3SE5 162-0CA00-1DA0</b>	1	1 unit	102
Slow-action contacts with make-before-break	2 × (1 NO + 2 NC)	⊙ B	<b>3SE5 162-0DA00-1DA0</b>	1	1 unit	102

g according to IEC 60947-5-1, Appendix K, or  
a actuator, necessary in safety circuits.

*Note: For selection aid, see page 9/12.*

Version	Diameter	DT	Modular system	PU (UNIT, SET, M)	PS*	PG
			Order No.	Price per PU		
<b>Mechanisms</b>						
<b>Plain plungers</b>						
High-grade steel plungers		⊙ A	<b>3SE5 000-0AB01</b>	1	1 unit	102
<b>Rounded plungers, type B, acc. to EN 50041</b>						
High-grade steel plungers, with 3 mm overtravel		⊙ B	<b>3SE5 000-0AC02</b>	1	1 unit	102
<b>Roller plungers, type C acc. to EN 50041</b>						
High-grade steel roller, with 3 mm overtravel	13	⊙ B	<b>3SE5 000-0AD02</b>	1	1 unit	102

# 3SE2 Position Switches

## Explosion Protection (ATEX)

Enclosures  
Width 40 mm acc. to EN 50041/56 mm

Version	Diameter	DT	Modular system	PU (UNIT, SET, M)	PS*	PG
	mm		Order No.	Price per PU		
<b>Mechanisms</b>						
<b>Spring rods</b> (for switches with snap-action contacts only)						
Plastic plunger:						
• Length 142.5 mm (spring 50 mm, plunger 50 mm)		B	<b>3SE5 000-0AR01</b>	1	1 unit	102
• Length 76 mm (spring 23.5 mm, plunger 10 mm)		B	<b>3SE5 000-0AR03</b>	1	1 unit	102
• Length 242.5 mm (spring 150 mm, plunger 50 mm)		B	<b>3SE5 000-0AR04</b>	1	1 unit	102
High-grade steel plunger:						
• Length 142.5 mm (spring 50 mm, plunger 50 mm)		B	<b>3SE5 000-0AR02</b>	1	1 unit	102
<b>Actuators</b>						
<b>Twist actuators, metal (without lever)</b>						
• For twist levers and rod actuators, switching right and/or left, adjustable						
- For enclosure width 40 and 56 mm		⊕ A	<b>3SE5 000-0AH00</b>	1	1 unit	102
• For fork levers, latching		⊕ B	<b>3SE5 000-0AT10</b>	1	1 unit	102
<b>Levers for twist actuators</b>						
<b>Twist levers 27 mm, offset, type A, acc. to EN 50041</b>						
Metal lever, plastic roller	19	⊕ A	<b>3SE5 000-0AA01</b>	1	1 unit	102
Metal lever, high-grade steel roller	19	⊕ A	<b>3SE5 000-0AA02</b>	1	1 unit	102
Metal lever, roller with ball bearing	19	⊕ B	<b>3SE5 000-0AA03</b>	1	1 unit	102
Metal lever, 2 plastic rollers	19	⊕ B	<b>3SE5 000-0AA04</b>	1	1 unit	102
Metal lever, plastic roller	30	⊕ B	<b>3SE5 000-0AA05</b>	1	1 unit	102
Metal lever, rubber roller	50	⊕ B	<b>3SE5 000-0AA08</b>	1	1 unit	102
High-grade steel lever, plastic roller	19	⊕ B	<b>3SE5 000-0AA11</b>	1	1 unit	102
High-grade steel lever, high-grade steel roller	19	⊕ B	<b>3SE5 000-0AA12</b>	1	1 unit	102
<b>Twist levers 35 mm, offset</b>						
Metal lever, plastic roller	19	⊕ B	<b>3SE5 000-0AA15</b>	1	1 unit	102
<b>Twist levers 30 mm, straight<sup>1)</sup></b>						
Metal lever, plastic roller	19	⊕ B	<b>3SE5 000-0AA24</b>	1	1 unit	102
Metal lever, plastic roller	30	⊕ B	<b>3SE5 000-0AA26</b>	1	1 unit	102
<b>Twist levers, adjustable length, with grid hole</b>						
Metal lever, plastic roller	19	⊕ B	<b>3SE5 000-0AA60</b>	1	1 unit	102
Metal lever, high-grade steel roller	19	⊕ B	<b>3SE5 000-0AA61</b>	1	1 unit	102
Metal lever, rubber roller	50	⊕ B	<b>3SE5 000-0AA68</b>	1	1 unit	102
High-grade steel lever, plastic roller	19	⊕ B	<b>3SE5 000-0AA62</b>	1	1 unit	102
High-grade steel lever, high-grade steel roller	19	⊕ B	<b>3SE5 000-0AA63</b>	1	1 unit	102
<b>Twist levers, adjustable length</b>						
Metal lever, plastic roller	19	A	<b>3SE5 000-0AA50</b>	1	1 unit	102
Metal lever, high-grade steel roller	19	B	<b>3SE5 000-0AA51</b>	1	1 unit	102
Metal lever, plastic roller	30	B	<b>3SE5 000-0AA55</b>	1	1 unit	102
Metal lever, rubber roller	50	B	<b>3SE5 000-0AA58</b>	1	1 unit	102
High-grade steel lever, plastic roller	19	B	<b>3SE5 000-0AA52</b>	1	1 unit	102
High-grade steel lever, high-grade steel roller	19	B	<b>3SE5 000-0AA53</b>	1	1 unit	102
<b>Fork levers</b> (for switches with snap-action contacts only)						
2 metal levers, 2 plastic rollers	19	⊕ B	<b>3SE5 000-0AT01</b>	1	1 unit	102
2 metal levers, 2 high-grade steel rollers	19	⊕ B	<b>3SE5 000-0AT02</b>	1	1 unit	102
2 high-grade steel levers, 2 high-grade steel rollers	19	⊕ B	<b>3SE5 000-0AT03</b>	1	1 unit	102



© Siemens AG 2010

## 3SE5, 3SE2 Position Switches For Explosion Protection (ATEX)

**3SE5, metal enclosures  
Enclosure width 40 mm acc. to EN 50041/56 mm**

### Switches with separate actuator · Complete units

Approach · 3 contacts · Degree of protection IP66/IP67 · Cable entry M20 × 1.5

Version <sup>1)</sup>	Contacts	DT	Complete units	<input type="checkbox"/>	PU (UNIT, SET, M)	PS*	PG
			Order No.	Price per PU			
<b>Enclosure width 40 mm according to EN 50041</b>							
<b>With M20 × 1.5 connecting thread</b>							
Slow-action contacts	1 NO + 2 NC	↻ B	<b>3SE5 112-0QV10-1DA0</b>		1	1 unit	102
<b>Enclosure width 56 mm</b>							
<b>With 3 x M20 x 1.5 connecting thread</b>							
Slow-action contacts	1 NO + 2 NC	↻ B	<b>3SE5 122-0QV10-1DA0</b>		1	1 unit	102

according to IEC 60947-5-1, Appendix K.

at actuator. Please order separately ([see page 9/59](#)).

### Switches · Complete units

Degree of protection IP66/IP67 · Cable entry M20 × 1.5

Version	Snap-action contacts	DT	Complete units	<input type="checkbox"/>	PU (UNIT, SET, M)	PS*	PG
			Order No.	Price per PU			
<b>Enclosure width 40 mm according to EN 50041</b>							
<b>With hollow shaft, Ø 8/12 mm</b>							
Operating angle 10°	1 NO + 2 NC	↻ B	<b>3SE5 112-0LU21-1DA0</b>		1	1 unit	102
<b>With solid shaft, Ø = 10 mm</b>							
Operating angle 10°	1 NO + 2 NC	↻ B	<b>3SE5 112-0LU22-1DA0</b>		1	1 unit	102



# AS-Interface Position Switches

Position switches with safety-oriented communication connected using the AS-Interface bus system. Connections no longer have to be conventionally wired.

In position switches the ASIsafe electronics are integrated into the switch enclosure.



Connection options in the modular system

m

Switches of the 3SF1 1.4 and 3SF1 2.4 series are part of a modular system comprising different actuator variants and an actuator which must be ordered separately. Thanks to the modular design of the switch the end user can find the right solution for his application from numerous variants and install it himself in a very short time.

Switches are available in four different enclosure sizes: plastic enclosures according to EN 50047, 31 mm wide, with M12 connector socket

plastic and metal enclosures according to EN 50041, 50 mm wide, with M12 connector socket

plastic enclosures, 50 mm wide, with M12 plug and M12 socket

metal enclosures, 56 mm wide, with M12 plug and M12 socket

Switches have a status display with three LEDs:

(green): F-IN1

(yellow): F-IN2

(red): AS-i/FAULT

## Benefits

The new generation of 3SF1 position switches offers:

- ASIsafe Electronics integrated in the enclosure, with low power consumption < 60 mA
- An extensive range of actuators
- Status display with three LEDs

## Application

With the standard position switches, mechanical positions of moved machine parts are converted into electrical signals. Through their modular and uniform design and large number of variants, the devices can meet practically all requirements in industry.

Devices are available with enclosure versions to suit the particular ambient conditions. Different control tasks can be performed with the best contact blocks suited for the particular purpose. And many different actuator variants are available to match the mechanical configuration of the moved machine parts. Dimensions, fixing points and characteristics are largely in accordance with the EN 50041 or EN 50047 standards.

The devices are suitable for use in any climate.

## Standards

The switches comply with the standards IEC 60947-1 (Low-Voltage Switchgear and Controlgear, General) and IEC 60947-5-1 (Electromechanical Control Circuit Devices).

The mechanical design of the switch corresponds to the requirements of the failsafe principle according to EN 1088.

## Approvals

AS-Interface according to EN 50295 and IEC 62026-2.

With a 3SF1 position switch it is possible to achieve category 2 according to ISO 13849-1 (EN 954-1) or SIL 1 according to IEC 61508.

Categories 3 or 4 according to ISO 13849-1 (EN 954-1) or SIL 2 or 3 according to IEC 61508 can be achieved by using a second 3SE5 position switch.

The 3SF1 position switches are approved according to UL 508, UL 50 and UL 746-C.

© Siemens AG 2010

# 3SF1 AS-Interface Position Switches

## General data

		3SF1 1.., 3SF1 2..
		IEC 60947-5-1, EN 60947-5-1, EN 1088
<b>Interface specification</b>		
... / ID configuration		7/B
... (Hex)		F/F
... tion, overall	mA	≤ 60
		Contact open
		Contact closed, $I_{in}$ dynamic ( $I_{peak} \geq 5$ mA)
		Green/red dual LED
<b>Withstand voltage <math>U_{imp}</math></b>	kV	0.6
		kV 4
		V/m 10
... (V/B)	kV	1 / 2
<b>Performance</b>		
... tuator, 3SF1 ...-..V..		15 × 10 <sup>6</sup> operating cycles
		1 × 10 <sup>6</sup> operating cycles
... re upon request of the safety situation per hour and		
		4 × 10 <sup>-9</sup> 1/h
... tuator, 3SF1 ...-..V..		2 × 10 <sup>-9</sup> 1/h
... SF1 ...-..U..		2 × 10 <sup>-9</sup> 1/h
... e acc. to IEC 60068-2-27		30 g/11 ms

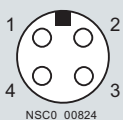
		3SF1 234	3SF1 134	3SF1 244	3SF1 214	3SF1 114	3SF1 124
		Ultramid A3X2G7			Zinc diecasting GD Zn Al4 Cu1		
... mm		31	40	50	31	40	56
... to EN		EN 50047	EN 50041	--	EN 50047	EN 50041	--
... tion acc. to EN 60529		IP65	IP66/IP67 <sup>1)</sup>				
<b>Temperature</b>							
... n		°C -25 ... +60					
... ort		°C -40 ... +80					
... n		Any					

...ors with spring rod and rod actuators: IP65/IP67.

### Signature

...cket, 4-pole

M12 socket, 4-pole



### LEDs

Status display (operating state)

LEDs	No voltage on AS-Interface chip	Communication OK	Communication failed	Slave has address "0"
ASI/Fault (GN/RD)				



# AS-Interface Position Switches

Plastic enclosures  
Width 31 mm acc. to EN 50047/50 mm

## Ordering data

Version of the position switch, the basic switch must be ordered separately.

· 3 LEDs · Degree of protection IP65 (31 mm) or IP66/IP67 (50 mm) · M12 connector socket

Version	Contacts	LEDs	DT	Modular system	PU (UNIT, SET, M)	PS*	PG
				Order No.	Price per PU		
<b>Width 31 mm according to EN 50047</b>							
<b>With teflon plunger</b>							
With M12 connector socket, 4-pole, channel 1 on NC contact, channel 2 on NC contact							
Slow-action contacts	2 NC	24 V DC	⊕ B	<b>3SF1 234-1KC05-1BA1</b>	1	1 unit	121
Snap-action contacts	2 NC	24 V DC	⊕ B	<b>3SF1 234-1LC05-1BA1</b>	1	1 unit	121
<b>Width 50 mm</b>							
<b>With teflon plunger</b>							
With M12 connector socket, 4-pole, channel 1 on NC contact, channel 2 on M12 socket, right							
Slow-action contacts	1 NC	24 V DC	⊕ B	<b>3SF1 244-1KC05-1BA2</b>	1	1 unit	121
Snap-action contacts	1 NC	24 V DC	⊕ B	<b>3SF1 244-1LC05-1BA2</b>	1	1 unit	121




*Note: For selection aid, see page 9/12.*

according to IEC 60947-5-1, Appendix K, or actuator, usable in safety circuits.  
Widths 31 mm and 50 mm the basic switch is a complete unit plunger.

## 3SF1 AS-Interface Position Switches

**Molded-plastic enclosures**  
Enclosure width 31 mm acc. to EN 50047/50 mm

Version	Roller diameter	DT	Modular system		PU (UNIT, SET, M)	PS*	PG
	mm		Order No.	Price per PU			
<b>Mechanisms</b>							
<b>Roller plungers, type C acc. to EN 50047</b>							
Plastic rollers	10	⊕ A	<b>3SE5 000-0AD03</b>		1	1 unit	102
High-grade steel rollers	10	⊕ B	<b>3SE5 000-0AD04</b>		1	1 unit	102
<b>Roller plungers with central fixing</b>							
Plastic rollers	10	⊕ B	<b>3SE5 000-0AD10</b>		1	1 unit	102
High-grade steel rollers	10	⊕ B	<b>3SE5 000-0AD11</b>		1	1 unit	102
<b>Roller levers, type E acc. to EN 50047</b>							
Metal lever, plastic roller	13	⊕ A	<b>3SE5 000-0AE10</b>		1	1 unit	102
Metal lever, high-grade steel roller	13	⊕ B	<b>3SE5 000-0AE11</b>		1	1 unit	102
High-grade steel lever, plastic roller	13	⊕ B	<b>3SE5 000-0AE12</b>		1	1 unit	102
High-grade steel lever, high-grade steel roller	13	⊕ B	<b>3SE5 000-0AE13</b>		1	1 unit	102
<b>Angular roller levers</b>							
Metal lever, plastic roller	13	⊕ A	<b>3SE5 000-0AF10</b>		1	1 unit	102
Metal lever, high-grade steel roller	13	⊕ B	<b>3SE5 000-0AF11</b>		1	1 unit	102
High-grade steel lever, plastic roller	13	⊕ A	<b>3SE5 000-0AF12</b>		1	1 unit	102
High-grade steel lever, high-grade steel roller	13	⊕ B	<b>3SE5 000-0AF13</b>		1	1 unit	102
<b>Switches with lever</b>							
<b>Twist actuators, plastic (without lever)</b>							
Switching right or left, adjustable		⊕ A	<b>3SE5 000-0AK00</b>		1	1 unit	102
<b>Levers for twist actuators</b>							
<b>Twist levers, type A acc. to EN 50047</b>							
Metal lever, plastic roller	19	⊕ A	<b>3SE5 000-0AA21</b>		1	1 unit	102
Metal lever, high-grade steel roller	19	⊕ B	<b>3SE5 000-0AA22</b>		1	1 unit	102
Metal lever, roller with ball bearing	19	⊕ B	<b>3SE5 000-0AA23</b>		1	1 unit	102
Metal lever, plastic roller	30	⊕ B	<b>3SE5 000-0AA25</b>		1	1 unit	102
High-grade steel lever, plastic roller	19	⊕ B	<b>3SE5 000-0AA31</b>		1	1 unit	102
High-grade steel lever, high-grade steel roller	19	⊕ B	<b>3SE5 000-0AA32</b>		1	1 unit	102
<b>Twist levers 30 mm, straight<sup>1)</sup></b>							
Metal lever, plastic roller	19	⊕ B	<b>3SE5 000-0AA24</b>		1	1 unit	102
Metal lever, plastic roller	30	⊕ B	<b>3SE5 000-0AA26</b>		1	1 unit	102
<b>Twist levers, adjustable length, with grid hole</b>							
Metal lever, plastic roller	19	⊕ B	<b>3SE5 000-0AA60</b>		1	1 unit	102
Metal lever, high-grade steel roller	19	⊕ B	<b>3SE5 000-0AA61</b>		1	1 unit	102
Metal lever, plastic roller	50	⊕ B	<b>3SE5 000-0AA67</b>		1	1 unit	102
Metal lever, rubber roller	50	⊕ B	<b>3SE5 000-0AA68</b>		1	1 unit	102
High-grade steel lever, plastic roller	19	⊕ B	<b>3SE5 000-0AA62</b>		1	1 unit	102
High-grade steel lever, high-grade steel roller	19	⊕ B	<b>3SE5 000-0AA63</b>		1	1 unit	102

# AS-Interface Position Switches

Dimensions  
Width 31 mm according to EN 50047

## Ordering data

For the version of the position switch, the basic switch must be ordered separately.

LEDs · Degree of protection IP66/IP67 · M12 connector socket

Version	Contacts	LEDs	DT	Modular system	PU (UNIT, SET, M)	PS*	PG
				☒			
				Order No.	Price per PU		

Switches (with rounded plunger<sup>1)</sup>) · Width 31 mm according to EN 50047

### With plunger

With M12 connector socket, 4-pole, channel 1 on NC contact, channel 2 on NC contact

Slow-action contacts	2 NC	24 V DC	↻ B	<b>3SF1 214-1KC05-1BA1</b>	1	1 unit	121
Snap-action contacts	2 NC	24 V DC	↻ B	<b>3SF1 214-1LC05-1BA1</b>	1	1 unit	121


*Note: For selection aid, see page 9/12.*

according to IEC 60947-5-1, Appendix K, or actuator, usable in safety circuits.

Width 31 mm the basic switch is a complete unit with r.

## 3SF1 AS-Interface Position Switches

**Metal enclosures**  
Enclosure width 31 mm according to EN 50047

Version	Plunger or roller diameter	DT	Modular system		PU (UNIT, SET, M)	PS*	PG
	mm		Order No.	Price per PU			
<b>Mechanisms</b>							
<b>Plain plungers</b>							
High-grade steel plungers	10	⊙ A	<b>3SE5 000-0AB01</b>		1	1 unit	102
<b>Roller plungers, type C acc. to EN 50047</b>							
Plastic rollers	10	⊙ A	<b>3SE5 000-0AD03</b>		1	1 unit	102
High-grade steel rollers	10	⊙ B	<b>3SE5 000-0AD04</b>		1	1 unit	102
<b>Roller plungers with central fixing</b>							
Plastic rollers	10	⊙ B	<b>3SE5 000-0AD10</b>		1	1 unit	102
High-grade steel rollers	10	⊙ B	<b>3SE5 000-0AD11</b>		1	1 unit	102
<b>Roller levers, type E acc. to EN 50047</b>							
Metal lever, plastic roller	13	⊙ A	<b>3SE5 000-0AE10</b>		1	1 unit	102
Metal lever, high-grade steel roller	13	⊙ B	<b>3SE5 000-0AE11</b>		1	1 unit	102
High-grade steel lever, plastic roller	13	⊙ B	<b>3SE5 000-0AE12</b>		1	1 unit	102
High-grade steel lever, high-grade steel roller	13	⊙ B	<b>3SE5 000-0AE13</b>		1	1 unit	102
<b>Angular roller levers</b>							
Metal lever, plastic roller	13	⊙ A	<b>3SE5 000-0AF10</b>		1	1 unit	102
Metal lever, high-grade steel roller	13	⊙ B	<b>3SE5 000-0AF11</b>		1	1 unit	102
High-grade steel lever, plastic roller	13	⊙ A	<b>3SE5 000-0AF12</b>		1	1 unit	102
High-grade steel lever, high-grade steel roller	13	⊙ B	<b>3SE5 000-0AF13</b>		1	1 unit	102
<b>Twist levers with lever</b>							
<b>Twist actuators, plastic (without lever)</b>							
Switching right or left, adjustable		⊙ A	<b>3SE5 000-0AK00</b>		1	1 unit	102
<b>Levers for twist actuators</b>							
<b>Twist levers, type A acc. to EN 50047</b>							
Metal lever, plastic roller	19	⊙ A	<b>3SE5 000-0AA21</b>		1	1 unit	102
Metal lever, high-grade steel roller	19	⊙ B	<b>3SE5 000-0AA22</b>		1	1 unit	102
Metal lever, roller with ball bearing	19	⊙ B	<b>3SE5 000-0AA23</b>		1	1 unit	102
Metal lever, plastic roller	30	⊙ B	<b>3SE5 000-0AA25</b>		1	1 unit	102
High-grade steel lever, plastic roller	19	⊙ B	<b>3SE5 000-0AA31</b>		1	1 unit	102
High-grade steel lever, high-grade steel roller	19	⊙ B	<b>3SE5 000-0AA32</b>		1	1 unit	102
<b>Twist levers 30 mm, straight<sup>1)</sup></b>							
Metal lever, plastic roller	19	⊙ B	<b>3SE5 000-0AA24</b>		1	1 unit	102
Metal lever, plastic roller	30	⊙ B	<b>3SE5 000-0AA26</b>		1	1 unit	102
<b>Twist levers, adjustable length, with grid hole</b>							
Metal lever, plastic roller	19	⊙ B	<b>3SE5 000-0AA60</b>		1	1 unit	102
Metal lever, high-grade steel roller	19	⊙ B	<b>3SE5 000-0AA61</b>		1	1 unit	102
Metal lever, plastic roller	50	⊙ B	<b>3SE5 000-0AA67</b>		1	1 unit	102

# AS-Interface Position Switches

Features  
 Enclosure width 40 mm acc. to EN 50041/56 mm

## Ordering data

For the version of the position switch, the basic switch must be ordered separately.

3 LEDs · Degree of protection IP66/IP67 · M12 connector socket

Version	Contacts	LEDs	DT	Modular system	PU (UNIT, SET, M)	PS*	PG
				☒			
				Order No.	Price per PU		

### Enclosure width 40 mm according to EN 50041

With M12 connector socket, 4-pole, channel 1 on NC contact, channel 2 on NC contact

Slow-action contacts	2 NC	24 V DC	⊙ B	<b>3SF1 114-1KA00-1BA1</b>	1	1 unit	121
Snap-action contacts	2 NC	24 V DC	⊙ B	<b>3SF1 114-1LA00-1BA1</b>	1	1 unit	121

### Enclosure width 56 mm

With M12 connector socket, 4-pole, channel 1 on NC contact, channel 2 on M12 socket, right

Slow-action contacts	1 NC	24 V DC	⊙ B	<b>3SF1 124-1KA00-1BA2</b>	1	1 unit	121
Snap-action contacts	1 NC	24 V DC	⊙ B	<b>3SF1 124-1LA00-1BA2</b>	1	1 unit	121

according to IEC 60947-5-1, Appendix K, or actuator, usable in safety circuits.

*Note: For selection aid, see page 9/12.*

Version	Plunger or roller diameter	DT	Modular system	PU (UNIT, SET, M)	PS*	PG
				☒		
				Order No.	Price per PU	

### Mechanisms

<b>Plain plungers</b>							
High-grade steel plungers	10	⊙ A	<b>3SE5 000-0AB01</b>	1	1 unit	102	


<b>Rounded plungers, type B, acc. to EN 50041</b>							
High-grade steel plungers, with 3 mm overtravel	10	⊙ B	<b>3SE5 000-0AC02</b>	1	1 unit	102	

<b>Roller plungers, type C acc. to EN 50041</b>							
High-grade steel roller, with 3 mm overtravel	13	⊙ B	<b>3SE5 000-0AD02</b>	1	1 unit	102	



## 3SF1 AS-Interface Position Switches

### Metal enclosures Enclosure width 40 mm acc. to EN 50041/56 mm

Version	Roller diameter	DT	Modular system		PU (UNIT, SET, M)	PS*	PG
	mm		Order No.	Price per PU			
<b>Mechanisms</b>							
<b>Roller levers</b>							
Metal lever, plastic roller	22	⊕ A	<b>3SE5 000-0AE01</b>		1	1 unit	102
Metal lever, high-grade steel roller	22	⊕ B	<b>3SE5 000-0AE02</b>		1	1 unit	102
High-grade steel lever, plastic roller	22	⊕ B	<b>3SE5 000-0AE03</b>		1	1 unit	102
High-grade steel lever, high-grade steel roller	22	⊕ B	<b>3SE5 000-0AE04</b>		1	1 unit	102
<b>Angular roller levers</b>							
Metal lever, plastic roller	22	⊕ A	<b>3SE5 000-0AF01</b>		1	1 unit	102
Metal lever, high-grade steel roller	22	⊕ B	<b>3SE5 000-0AF02</b>		1	1 unit	102
High-grade steel lever, plastic roller	22	⊕ B	<b>3SE5 000-0AF03</b>		1	1 unit	102
High-grade steel lever, high-grade steel roller	22	⊕ B	<b>3SE5 000-0AF04</b>		1	1 unit	102
<b>Twist levers with lever</b>							
<b>Twist actuators, metal (without lever)</b>							
• For twist levers, switching right or left, adjustable							
- For enclosure width 40 and 56 mm		⊕ A	<b>3SE5 000-0AH00</b>		1	1 unit	102
• For fork levers, latching							
		⊕ B	<b>3SE5 000-0AT10</b>		1	1 unit	102
<b>Levers for twist actuators</b>							
<b>Twist levers 27 mm, offset, type A, acc. to EN 50041</b>							
Metal lever, plastic roller	19	⊕ A	<b>3SE5 000-0AA01</b>		1	1 unit	102
Metal lever, high-grade steel roller	19	⊕ A	<b>3SE5 000-0AA02</b>		1	1 unit	102
Metal lever, roller with ball bearing	19	⊕ B	<b>3SE5 000-0AA03</b>		1	1 unit	102
Metal lever, 2 plastic rollers	19	⊕ B	<b>3SE5 000-0AA04</b>		1	1 unit	102
Metal lever, plastic roller	30	⊕ B	<b>3SE5 000-0AA05</b>		1	1 unit	102
Metal lever, plastic roller	50	⊕ B	<b>3SE5 000-0AA07</b>		1	1 unit	102
Metal levers, rubber roller	50	⊕ B	<b>3SE5 000-0AA08</b>		1	1 unit	102
High-grade steel lever, plastic roller	19	⊕ B	<b>3SE5 000-0AA11</b>		1	1 unit	102
High-grade steel lever, high-grade steel roller	19	⊕ B	<b>3SE5 000-0AA12</b>		1	1 unit	102
<b>Twist levers 35 mm, offset</b>							
Metal lever, plastic roller	19	⊕ B	<b>3SE5 000-0AA15</b>		1	1 unit	102
<b>Twist levers 30 mm, straight<sup>1)</sup></b>							
Metal lever, plastic roller	19	⊕ B	<b>3SE5 000-0AA24</b>		1	1 unit	102
Metal lever, plastic roller	30	⊕ B	<b>3SE5 000-0AA26</b>		1	1 unit	102
<b>Twist levers, adjustable length, with grid hole</b>							
Metal lever, plastic roller	19	⊕ B	<b>3SE5 000-0AA60</b>		1	1 unit	102
Metal lever, high-grade steel roller	19	⊕ B	<b>3SE5 000-0AA61</b>		1	1 unit	102
Metal lever, plastic roller	50	⊕ B	<b>3SE5 000-0AA67</b>		1	1 unit	102
Metal lever, rubber roller	50	⊕ B	<b>3SE5 000-0AA68</b>		1	1 unit	102
High-grade steel lever, plastic roller	19	⊕ B	<b>3SE5 000-0AA62</b>		1	1 unit	102
High-grade steel lever, high-grade steel roller	19	⊕ B	<b>3SE5 000-0AA63</b>		1	1 unit	102
<b>Fork levers (for switches with snap-action contacts only)</b>							
Metal lever, 2 plastic rollers	19	⊕ B	<b>3SE5 000-0AT01</b>		1	1 unit	102
Metal lever, 2 high-grade steel rollers	19	⊕ B	<b>3SE5 000-0AT02</b>		1	1 unit	102
High-grade steel lever, 2 plastic rollers	19	⊕ B	<b>3SE5 000-0AT03</b>		1	1 unit	102

# AS-Interface Position Switches with Separate Actuator

Position switches with safety-oriented communication are connected using the AS-Interface bus system. Connections no longer have to be conventionally wired.

In position switches the ASIsafe electronics are integrated into the switch enclosure.



Position switches with head for separate actuator and with AS-Interface Electronics

Position switches with separate actuator have the same dimensions as the standard switches.

The actuator head is included in the scope of supply. For actuator adjustment it can be adjusted through  $4 \times 90^\circ$ . The actuator can also be approached from above.

The actuators are not included in the scope of supply of the position switch. They must be ordered separately from a choice of six different actuators for the application.

The switches are encoded. Simple overruling by hand or auxiliary devices is possible.

A steel blocking insert for attaching up to eight padlocks is available for even more safety.

The switches protect the metal enclosure from contamination and ensure safe operation in dusty environments.

The switches have a status display with three LEDs:

- (green): F-IN1
- (yellow): F-IN2
- (red): AS-i/FAULT

## Benefits

The new generation of 3SF1 position switches with separate actuator offers:

- ASIsafe Electronics integrated in the enclosure, with low power consumption < 60 mA
- An extensive range of actuators
- Status display with three LEDs

## Application

Position switches with separate actuator are used where the position of doors, covers or protective grills must be monitored for safety reasons.

The position switch can only be operated with the matching coded actuator. Simple overruling by hand or auxiliary devices is impossible.

Devices are available with enclosure versions to suit the particular ambient conditions. Different control tasks can be performed with the best contact blocks suited for the particular purpose. Dimensions, fixing points of the enclosure are in accordance with EN 50041 or EN 50047 standards.

The devices are suitable for use in any climate.

## Standards

The switches comply with the standards IEC 60947-1 (Low-Voltage Switchgear and Controlgear, General) and IEC 60947-5-1 (Electromechanical Control Circuit Devices).

The mechanical design of the switch corresponds to the requirements of the failsafe principle according to EN 1088.

## Approvals

AS-Interface according to EN 50295 and IEC 62026-2.

With a 3SF1 position switch it is possible to achieve Category 3 according to ISO 13849-1 (EN 954-1) or SIL 2 according to IEC 61508.

Category 4 according to ISO 13849-1 (EN 954-1) or SIL 3 according to IEC 61508 can be achieved by using a second 3SE5 position switch.

The 3SF1 position switches are approved according to UL 508, UL 50 and UL 746-C.

© Siemens AG 2010

# 3SF1 AS-Interface Position Switches

## With Separate Actuator

**Molded-plastic enclosures**  
Enclosure width 31 mm / 50 mm

or 2 slow-action contacts  
y with 3 LEDs 24 V DC;  
-IN2, 3: AS-I/FAULT

- Degree of protection IP65 (31 mm) or IP66/IP67 (50 mm)

### Ordering data

Version <sup>1)</sup>	Contacts	DT	Complete units	<input type="checkbox"/>	PU (UNIT, SET, M)	PS*	PG
			Order No.	Price per PU			
<b>with 31 mm according to EN 50047</b>							
<b>5 directions of approach</b>							
With M12 connector socket, 4-pole; channel 1 on NC contact, channel 2 on NC contact							
Slow-action contacts	2 NC	⊕ B	<b>3SF1 234-1QV40-1BA1</b>		1	1 unit	121
<b>with 50 mm</b>							
<b>5 directions of approach</b>							
With M12 connector socket, 4-pole; channel 1 on NC, channel 2 on M12 socket, right							
Slow-action contacts	1 NC	⊕ B	<b>3SF1 244-1QV40-1BA2</b>		1	1 unit	121

g according to IEC 60947-5-1, Appendix K.  
at actuator. Please order separately.



# AS-Interface Position Switches

## Separate Actuator

Dimensions  
Width 31 mm / 40 mm / 56 mm

2 or 3 slow-action contacts  
 3 LEDs with 3 LEDs 24 V DC;  
 2: IN1, 3: AS-I/FAULT

- Degree of protection IP66/IP67

### Ordering data

Version <sup>1)</sup>	Contacts	DT	Complete units	<input type="checkbox"/>	PU (UNIT, SET, M)	PS*	PG
			Order No.	Price per PU			
<b>Width 31 mm according to EN 50047</b>							
<b>5 directions of approach</b>							
With M12 connector socket, 4-pole; channel 1 on NC contact, channel 2 on NC contact							
Slow-action contacts	2 NC	⊙ B	<b>3SF1 214-1QV40-1BA1</b>		1	1 unit	121
<b>Width 40 mm according to EN 50041</b>							
<b>5 directions of approach</b>							
With M12 connector socket, 4-pole; channel 1 on NC contact, channel 2 on NC contact							
Slow-action contacts	2 NC	⊙ B	<b>3SF1 114-1QV10-1BA1</b>		1	1 unit	121
<b>Width 56 mm</b>							
<b>5 directions of approach</b>							
With M12 connector socket, 4-pole; channel 1 on NC, channel 2 on M12 socket, right							
Slow-action contacts	1 NC	⊙ B	<b>3SF1 124-1QV10-1BA2</b>		1	1 unit	121

<sup>1)</sup> according to IEC 60947-5-1, Appendix K.  
 at actuator. Please order separately.

© Siemens AG 2010

## 3SF1 AS-Interface Position Switches With Separate Actuator

### Accessories

Version	DT	Order No.	Price per PU	PU (UNIT, SET, M)	PS*	PG
<b>Standard actuators</b>						
<ul style="list-style-type: none"> <li>Length 75.6 mm</li> </ul>	▶	<b>3SE5 000-0AV01</b>		1	1 unit	102
<ul style="list-style-type: none"> <li>With vertical fixing, length 53 mm</li> </ul>	A	<b>3SE5 000-0AV02</b>		1	1 unit	102
<ul style="list-style-type: none"> <li>With transverse fixing, length 47 mm</li> </ul>	A	<b>3SE5 000-0AV03</b>		1	1 unit	102
<b>Radius actuators, length 51 mm</b>						
<ul style="list-style-type: none"> <li>Direction of approach from the left</li> </ul>	A	<b>3SE5 000-0AV04</b>		1	1 unit	102
<ul style="list-style-type: none"> <li>Direction of approach from the right</li> </ul>	A	<b>3SE5 000-0AV06</b>		1	1 unit	102
<b>Universal radius actuators, length 77 mm</b>	A	<b>3SE5 000-0AV05</b>		1	1 unit	102
<b>Universal radius actuators, heavy-duty</b>						
<ul style="list-style-type: none"> <li>Length 67 mm</li> </ul>	A	<b>3SE5 000-0AV07-1AK2</b>		1	1 unit	102
<ul style="list-style-type: none"> <li>Length 77 mm</li> </ul>	A	<b>3SE5 000-0AV07</b>		1	1 unit	102
<b>Accessories</b>						
<b>Protective caps</b> made of black rubber for the actuator head, to protect the actuator openings from contamination (Only for enclosure width 40 or 56 mm)	B	<b>3SE5 000-0AV08-1AA2</b>		1	1 unit	102
<b>Blocking inserts</b> , high-grade steel, for actuator head, for up to 8 padlocks	C	<b>3SE5 000-0AV08-1AA3</b>		1	1 unit	102



1AA2



1AA3

# AS-Interface Position Switches

## locking

Position switches with safety-oriented communication connected using the AS-Interface bus system. Connections no longer have to be conventionally wired.

In position switches the ASIsafe electronics are integrated into the switch enclosure.



Position switch with interlocking and ASIsafe electronics

The mounting bracket is included in the scope of supply. For actuator deflections it can be adjusted through  $4 \times 90^\circ$ . The enclosure can also be approached from above.

Actuator variants are not included in the scope of supply of the position switch. The actuator must be ordered separately from a choice of six variants according to the application.

The switch is AS-Interface encoded. Simple overruling by hand or auxiliary power is possible.

The switch has a steel blocking insert for attaching up to eight padlocks. This is for even more safety.

To protect the enclosure from contamination is possible. This is for operation in dusty environments.

There are two versions for locking the actuator:

• Closed lock (closed-circuit principle) with various release mechanisms

• Open lock (open-circuit principle)

For more information see page 9/62.

The switch has a status display with four LEDs:

### Benefits

The new generation of 3SF1 3 position switches with solenoid interlocking offers:

- More safety through higher locking forces:
  - 1300 N for the plastic version
  - 2600 N for the metal version
- Various release mechanisms: lock release, escape release and emergency release
- ASIsafe Electronics integrated in the enclosure; connected through 4-pole M12 connector socket
- Current consumption of the solenoid max. 170 mA
- Two contact blocks as standard equipment, hence fewer versions needed
- Same dimensions for all enclosure variants:
  - Plastic, metal
- An extensive range of actuators
- Status display with four LEDs

### Application

The position switches with interlocking are exceptional safety-related devices which prevent an unforeseen or intentional opening of protective doors, protective grills or other covers as long as a dangerous situation is present (i.e. follow-on motion of the switched off machine).

The safety position switches with interlocking have the following functions:

- Enabling the machine or process with closed and locked protective device
- Locking the machine or process with opened protective device
- Position monitoring of the protective device and solenoid interlocking

### Standards

The switches comply with the standards IEC 60947-1 (Low-Voltage Switchgear and Controlgear, General) and IEC 60947-5-1 (Electromechanical Control Circuit Devices).

The mechanical design of the switch corresponds to the requirements of the failsafe principle according to EN 1088.

### Approvals

AS-Interface according to EN 50295 and IEC 62026-2.

The switches are approved for use with locking devices according to EN 1088 and EN 292, Parts 1 and 2.

3SE5 3 position switches with interlocking bear the VDE test mark.

With a 3SF1 3 position switch with interlocking it is possible to achieve category 3 according to ISO 13849-1 (EN 954-1) or SIL 2 according to IEC 61508.

# 3SF1 AS-Interface Position Switches

## With Interlocking

**Molded-plastic enclosures**  
**With locking force greater than 1200 N**

### Approach - Degree of protection IP66/IP67

Contacts:

A1: ASIsafe channel 1 on 1 NC contact from the  
 channel 2 on 1 NC contact from the solenoid<sup>1)</sup>

A3: ASIsafe channel 1 on the first NC contact  
 actuator and channel 2 on the second NC contact  
 actuator

A4: ASIsafe channel 1 on 2 NC contacts from the  
 channel 2 on 1 NC contact from the solenoid A  
 y between the two contacts of the actuator will be  
 already in the switch.

Rated operational voltage 24 V DC

Locking force 1300 N (1000 N according to GS-ET 19)

Indicator with 4 LEDs 24 V DC;

Terminal block: 1: F-IN1, 2: F-IN2

### Options

	Contacts Actuator / magnet	Achievable safety level	Diagnostics Feedback from the solenoid	Reclose condition After unlocking the solenoid (depending on the type of evaluation)
BA1	1 NC/1 NC	SIL 1 / PL c	✓	Door does <u>not</u> have to be opened
	1 NC/1 NC	SIL 2 / PL d	✓	Door must be opened
BA3	2 NC	SIL 2 / PL d	--	Door does <u>not</u> have to be opened
BA4	2 NC/1 NC	SIL 2 / PL d	✓	Door does <u>not</u> have to be opened

### Safety level

The new 3SF1 324-1S.21-1BA4 safety position switches are also recommended in the case of series connections for protective door interlocking where reliable diagnostics and quick restart capability of equipment is required.

They feature:

- Feedback from the solenoid and
- No opening of the doors after the solenoid is unlocked.

With AS-i safety monitor or in DP/AS-i F-Link it is possible to achieve SIL 2 according to IEC 61508 or PL d according to ISO 13849-1.

### Ordering data

Interlock <sup>1)</sup>	Contacts Actuators/ Solenoids	DT	Complete units	PU (UNIT, SET, M)	PS*	PG
			Order No.	Price per PU		

### Locking force - Enclosure width 54 mm

#### Spring-actuated locks

• With auxiliary release	1 NC/1 NC	⊕ B	<b>3SF1 324-1SD21-1BA1</b>	1	1 unit	121
	2 NC/--	⊕ B	<b>3SF1 324-1SD21-1BA3</b>	1	1 unit	121
	2 NC/1 NC	⊕ B	<b>3SF1 324-1SD21-1BA4</b>	1	1 unit	121
• With auxiliary release with lock	1 NC/1 NC	⊕ B	<b>3SF1 324-1SE21-1BA1</b>	1	1 unit	121
• With escape release from the front	1 NC/1 NC	⊕ B	<b>3SF1 324-1SF21-1BA1</b>	1	1 unit	121
	2 NC/1 NC	⊕ B	<b>3SF1 324-1SF21-1BA4</b>	1	1 unit	121
• With escape release from the back and auxiliary release from the front	1 NC/1 NC	⊕ B	<b>3SF1 324-1SG21-1BA1</b>	1	1 unit	121
	2 NC/1 NC	⊕ B	<b>3SF1 324-1SG21-1BA4</b>	1	1 unit	121
• With emergency release from the back and auxiliary release from the front	1 NC/1 NC	⊕ B	<b>3SF1 324-1SJ21-1BA1</b>	1	1 unit	121

#### Solenoid locks

	1 NC/1 NC	⊕ B	<b>3SF1 324-1SB21-1BA1</b>	1	1 unit	121
--	-----------	-----	----------------------------	---	--------	-----

# AS-Interface Position Switches

## Locking

Features  
 Force greater than 2000 N

### Approach - Degree of protection IP66/IP67

Contacts:  
 Channel 1: ASIsafe channel 1 on 1 NC contact from the solenoid  
 Channel 2 on 1 NC contact from the solenoid  
 Rated operational voltage 24 V DC  
 Force > 2600 N (2000 N according to GS-ET 19)  
 Illumination with 4 LEDs 24 V DC;  
 Terminal block: ULT, 3: F-IN1, 4: F-IN2

### Safety level

See page 9/95.

### Ordering data

Interlock <sup>1)</sup>	Contacts Actuators/ Solenoids	DT	Complete units	PU (UNIT, SET, M)	PS*	PG
			Order No.	Price per PU		
<b>Force - Enclosure width 54 mm</b>						
<b>Spring-actuated locks</b>						
• With auxiliary release	1 NC/1 NC	↻ B	<b>3SF1 314-1SD11-1BA1</b>	1	1 unit	121
• With auxiliary release with lock	1 NC/1 NC	↻ B	<b>3SF1 314-1SE11-1BA1</b>	1	1 unit	121
• With escape release from the front	1 NC/1 NC	↻ B	<b>3SF1 314-1SF11-1BA1</b>	1	1 unit	121
• With escape release from the back and auxiliary release from the front	1 NC/1 NC	↻ B	<b>3SF1 314-1SG11-1BA1</b>	1	1 unit	121
• With emergency release from the back and auxiliary release from the front	1 NC/1 NC	↻ B	<b>3SF1 314-1SJ11-1BA1</b>	1	1 unit	121
<b>Solenoid locks</b>						
	1 NC/1 NC	↻ B	<b>3SF1 314-1SB11-1BA1</b>	1	1 unit	121

according to IEC 60947-5-1, Appendix K.  
 at actuator. Please order separately.

For actuators and optional accessories see page 9/93.



© Siemens AG 2010

# 3SF1 AS-Interface Position Switches

## Hinge Switches

**Molded-plastic enclosures**  
Enclosure width 31 mm / 50 mm

Position switches with safety-oriented communication connected using the AS-Interface bus system. No longer have to be conventionally wired.

For ASIsafe position switches the ASIsafe electronics are integrated into the switch enclosure.

Mounting variants are provided for mounting on hinges. There are three variants here:  
 - inner diameter 8 mm, outer 12 mm  
 - inner diameter 10 mm

For the ASIsafe version of the hinge switch, the basic switch and twist actuator must be ordered separately. The basic switches correspond to the position switches of the standard version (only use versions with snap-action contacts).

The standards and approvals are the same as for the 3SF1 standard switches ([see page 9/82](#)).

### Ordering data

3 LEDs · Degree of protection IP65 (31 mm) or IP66/IP67 (50 mm) · M12 connector socket

Version	Contacts	LEDs	DT	Modular system	PU (UNIT, SET, M)	PS*	PG
				<input type="checkbox"/>			
				Order No.	Price per PU		
<b>Enclosure width 31 mm according to EN 50047</b>							
<b>With teflon plunger, with M12 connector socket</b> , 4-pole, channel 1 on NC contact, channel 2 on NC contact							
Snap-action contacts	2 NC	24 V DC	⊕ B	<b>3SF1 234-1LC05-1BA1</b>	1	1 unit	121
<b>Enclosure width 50 mm</b>							
<b>With teflon plunger, with M12 connector socket</b> , 4-pole, channel 1 on NC contact, channel 2 on M12 socket, right							
Snap-action contacts	1 NC	24 V DC	⊕ B	<b>3SF1 244-1LC05-1BA2</b>	1	1 unit	121
<b>With hollow shaft</b>							
Operating angle 10°			B	<b>3SE5 000-0AU21</b>	1	1 unit	102
<b>With solid shaft</b>							
Operating angle 10°			B	<b>3SE5 000-0AU22</b>	1	1 unit	102



# AS-Interface Position Switches

## Features

Enclosure width 31 mm / 40 mm / 56 mm

The switches with safety-oriented communication are connected using the AS-Interface bus system. Connections no longer have to be conventionally wired.

In position switches the ASIsafe electronics are integrated into the switch enclosure.

Mounting variants are provided for mounting on hinges. There are three variants here:  
 - inner diameter 8 mm, outer 12 mm  
 - inner diameter 10 mm

For the ASIsafe version of the hinge switch, the basic switch and twist actuator must be ordered separately. The basic switches correspond to the position switches of the standard version (only use versions with snap-action contacts).

The standards and approvals are the same as for the 3SF1 standard switches ([see page 9/82](#)).

## Ordering data

### Dimensions

3 LEDs · Degree of protection IP66/IP67 · M12 connector socket

Version	Contacts	LEDs	DT	Modular system	PU (UNIT, SET, M)	PS*	PG
				Order No.	Price per PU		
<b>Enclosure width 31 mm according to EN 50047</b>							
<b>With plunger</b>							
With M12 connector socket, 4-pole, channel 1 on NC contact, channel 2 on NC contact							
With M12 connector socket, 4-pole, channel 1 on NC contact, channel 2 on NC contact	2 NC	24 V DC	↻ B	<b>3SF1 214-1LC05-1BA1</b>	1	1 unit	121
<b>Enclosure width 40 mm according to EN 50041</b>							
<b>With M12 connector socket, 4-pole, channel 1 on NC contact, channel 2 on NC contact</b>							
With M12 connector socket, 4-pole, channel 1 on NC contact, channel 2 on NC contact	2 NC	24 V DC	↻ B	<b>3SF1 114-1LA00-1BA1</b>	1	1 unit	121
<b>Enclosure width 56 mm</b>							
<b>With M12 connector socket, 4-pole, channel 1 on NC contact, channel 2 on M12 socket, right</b>							
With M12 connector socket, 4-pole, channel 1 on NC contact, channel 2 on M12 socket, right	1 NC	24 V DC	↻ B	<b>3SF1 124-1LA00-1BA2</b>	1	1 unit	121

## 3SE6 Magnetically Operated Switches

### Magnetic monitoring systems

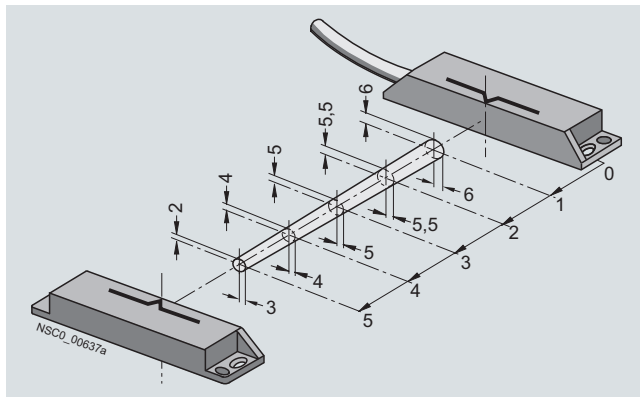


Switches and contact blocks

A magnetically operated switch is comprised of a coded contact magnet and a switching element (sensor unit). It is used to wire a safety relay or connection to a bus system.

#### Expansion relays

Additional protective devices (sensors) can be connected to the



Enabling range (example)

The device has six current-sourcing semiconductor outputs (Y1 ... Y6) which signal the state of the connected protective devices.

The 3SE6 806 safety relay has two floating enabling circuits (safe circuits) as NO contact circuits and one floating signaling circuit as a NC circuit. The number of enabling circuits can be increased by adding one or more 3TK28 30 expansion modules.

Magnetically operated switches are designed for use with movable protective guards (hoods, hinge switches, etc.). Evaluation can be performed by means of a safety relay or connection to a bus system.

Non-contact, magnetically operated safety switches are available in their enclosed design with degree of protection IP67, particularly suitable therefore for areas exposed to dust, cleaning or disinfecting.

A magnetic monitoring system comprises one or more magnetically operated switches and an evaluation unit, e.g. a safety relay. When contact blocks 1 NO + 1 NC are used the 3SE6 806 safety relay provides a high degree of protection against manipulation and can be installed in safety circuits up to Category 3 according to ISO 13849-1 (EN 954-1).

#### Selection of monitoring units and magnetically operated switches

		Magnetically operated switches (contact block + switching magnet)				Achievable category (EN 954-1)/ Performance level (EN ISO 13849-1)
		1 NC + 1 NO			2 NC	
		3SE6 605-1BA	3SE6 605-2BA	3SE6 605-3BA	3SE6 604-2BA	
		3SE6 704-1BA	3SE6 704-2BA	3SE6 704-3BA	3SE6 704-2BA	
Switches,	3SE6 806-2CD00	✓	✓	✓	--	<b>Cat. 3</b>
Expansion	3TK28 26	✓	✓	✓	✓	<b>Cat. 4/e</b>
Expansion	3TK28 40	--	--	--	✓	<b>Cat. 3/d</b>
Expansion	3TK28 41, 3TK28 42, 3TK28 45	--	--	--	✓	<b>Cat. 4/e</b>
Expansion with	3TK28 50, 3TK28 51, 3TK28 52	--	--	--	✓	<b>Cat. 3/d</b>
Expansion with	3TK28 53	--	--	--	✓	<b>Cat. 4/e</b>
Expansion safety modules	3RK1 205, 3RK1 405	--	--	--	✓	<b>Cat. 4</b>



# 6 Magnetically Operated Switches

## Monitoring systems

### Ordering data

Version	Size	Contacts	DT	Order No.	Price per PU	PU (UNIT, SET, M)	PS*	PG
	mm							
<b>units</b>								
<b>Switching magnets (coded)</b>	M30		A	<b>3SE6 704-1BA</b>		1	1 unit	102
<b>Contact blocks</b>								
• With cable, 3 m	M30	1 NO + 1 NC	A	<b>3SE6 605-1BA</b>		1	1 unit	102
• With M12 plug, 4-pole	M30	1 NO + 1 NC	C	<b>3SE6 605-1BA02</b>		1	1 unit	102
<b>sensor units</b>								
<b>Switching magnets (coded)</b>	25 × 88		A	<b>3SE6 704-2BA</b>		1	1 unit	102
<b>Contact blocks</b>								
• With cable, 3 m	25 × 88	1 NO + 1 NC	A	<b>3SE6 605-2BA</b>		1	1 unit	102
		2 NC	A	<b>3SE6 604-2BA</b>		1	1 unit	102
• With M8 plug, 4-pole	25 × 88	1 NO + 1 NC	C	<b>3SE6 605-2BA01</b>		1	1 unit	102
		2 NC	C	<b>3SE6 604-2BA01</b>		1	1 unit	102
<b>Switching magnets (coded)</b>	25 × 33		A	<b>3SE6 704-3BA</b>		1	1 unit	102
<b>Contact blocks</b>	25 × 33	1 NO + 1 NC	A	<b>3SE6 605-3BA</b>		1	1 unit	102
with cable, 3 m								
<b>Spacers</b>	25 × 88		D	<b>3SX3 260</b>		1	1 unit	102
<b>Spacers</b>	25 × 33		D	<b>3SX3 261</b>		1	1 unit	102

Version	Number of sensors	Enabling/signaling circuits	DT	Order No.	Price per PU	PU (UNIT, SET, M)	PS*	PG
<b>units</b>								
<b>Safety relays with relay output, 6-fold</b>	6	2 NO / 1 NC	B	<b>3SE6 806-2CD00</b>		1	1 unit	102
Rated control supply voltage 24 V DC								

## X-ON Electronics

Largest Supplier of Electrical and Electronic Components

*Click to view similar products for [Limit Switches](#) category:*

*Click to view products by [Siemens](#) manufacturer:*

Other Similar products are found below :

[6LS2-4PG](#) [5ML1-E1](#) [5ML31](#) [LZG1](#) [LZL1-6C](#) [622EN114-R](#) [622EN18-6](#) [622EN224-6B](#) [622EN230](#) [622EN237-R](#) [622EN69-3](#) [622EN85-RB](#)  
[MA-10019](#) [6PA109](#) [7LS51](#) [83547001](#) [83725002](#) [83830001](#) [83840001](#) [83840701](#) [83841001](#) [83870104](#) [83881140](#) [8AS42](#) [8LS10](#) [8LS125-](#)  
[4PG](#) [8LS152-4PGN20](#) [914CE16-3A](#) [914CE3-3L1](#) [915PA10](#) [91MCE16-P2O](#) [924CE16-Y3](#) [924CE1-S6](#) [924CE1-T25A](#) [924CE1-T3](#) [924CE1-](#)  
[T9A](#) [924CE2-T9](#) [924CE31-Y20-X5](#) [924CE31-Y3L1](#) [GL-10054](#) [GL-85710](#) [GL-85714](#) [GLAB26J2B](#) [GLDB03C-6](#) [GLZ324](#) [PS21R-](#)  
[NT11N7-YK0](#) [D4A-1106N](#) [D4A1201N](#) [D4A-3E02N](#) [D4A-4510N](#)