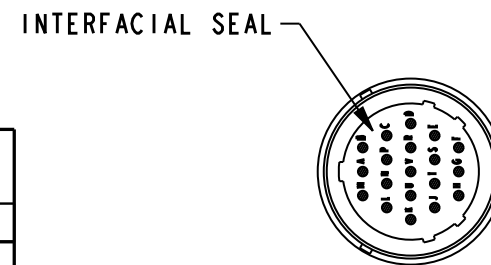
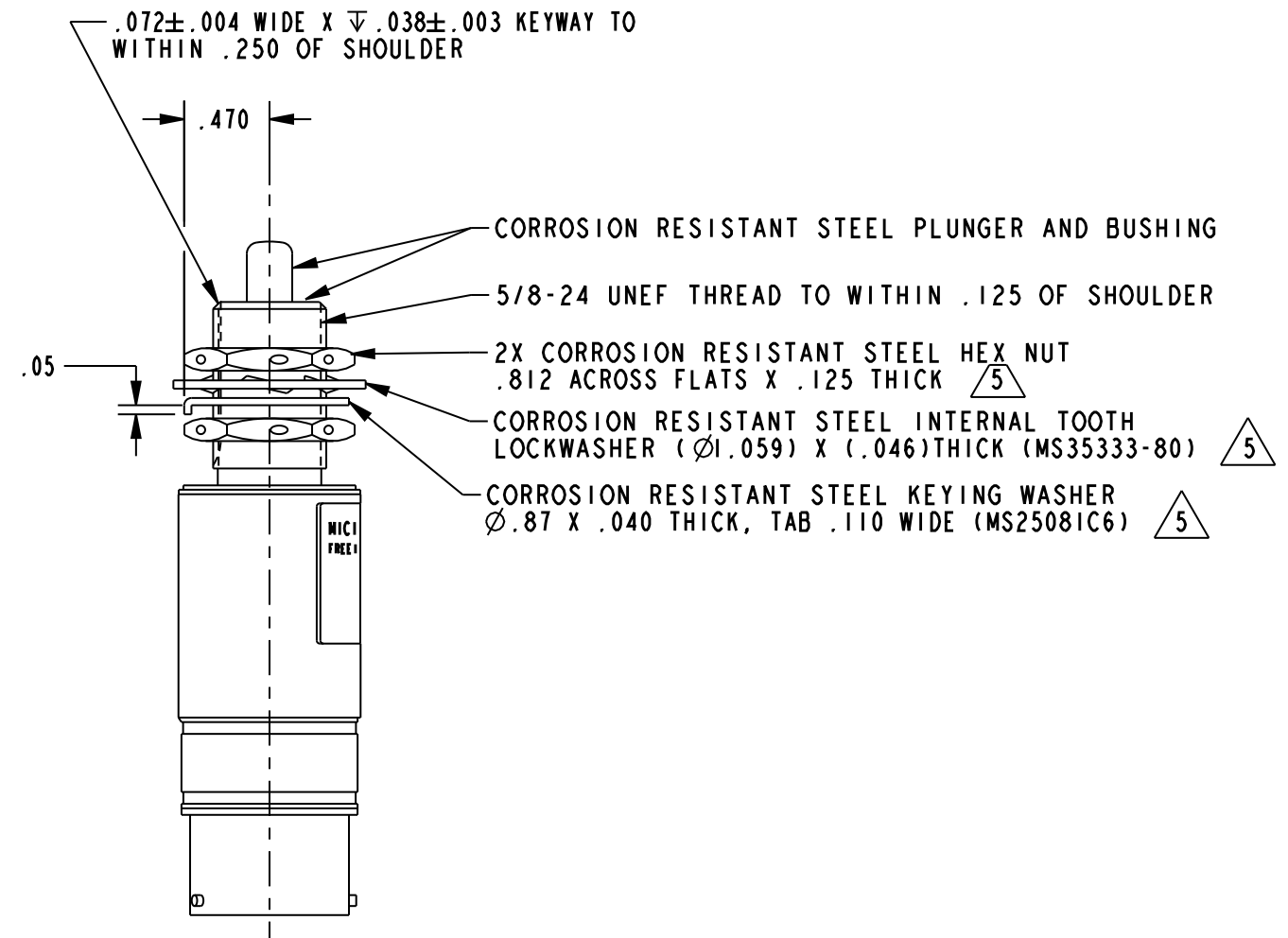
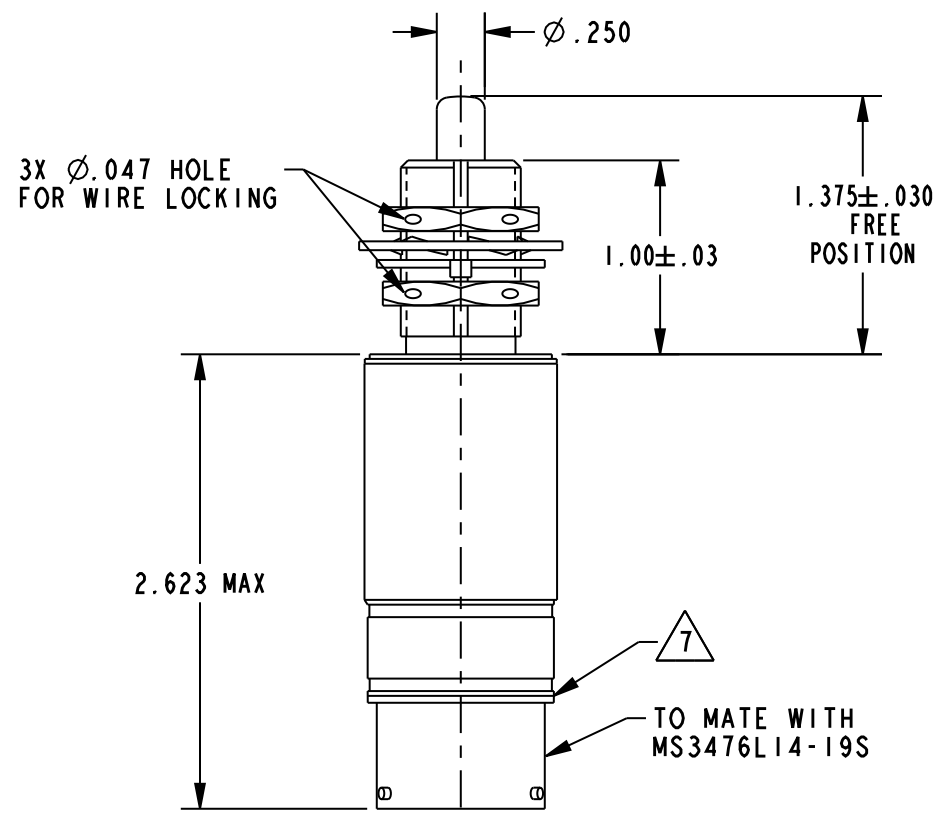
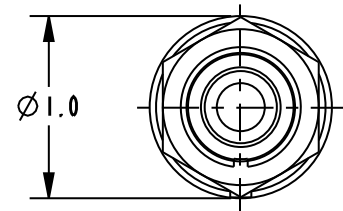
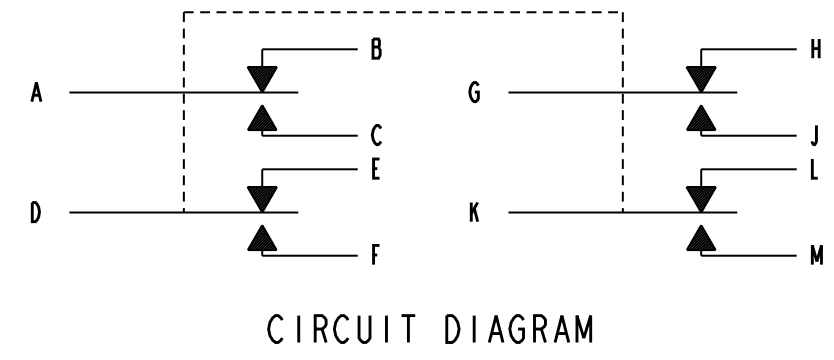


MICRO SWITCH
a Honeywell Division

FED. MFG. CODE 91929

SWITCH - ENCLOSED

CATALOG LISTING
404EN240-RB
CUSTOMER PART NUMBER
1159SCAV515-1



- NOTES
- 1 - CORROSION RESISTANT STEEL ENCLOSURE
 - 2 - SWITCH SEALED PER MIL-PRF-8805, SYMBOL 4
 - 3 - IN ADDITION TO STANDARD MARKING, CUSTOMER PART NUMBER AND CURRENT CUSTOMER REVISION LEVEL IS MARKED ON THE SWITCH NAME PLATE IF APPLICABLE
 - 4 - COINCIDENCE OF OPERATION AND RELEASING POINTS: .010 OF PLUNGER TRAVEL
 - 5 - HARDWARE MAY BE PACKAGED UNASSEMBLED PER MIL-PRF-8805
 - 6 - GOLD PLATED SILVER CONTACT BASIC SWITCHES
 - 7 - WELD SEAMS TO BE PAINTED TO RESIST CORROSION

PTC/CAD 2D
 DRAWN J A F 02SEP99
 CHECK J A F 02SEP99
 JAF
 CMH
 CHECK 02SEP99
 CMH
 CHECK 30APR09
 MBN 30APR09
 REVISIONS
 B 0051697 MBN 30APR09
 J A F 2 SEP 99
 A C095478 J A F 2 SEP 99
 ISSUE 5
 M
 CATALOG LISTING
 404EN240-RB
 PAGE 1 OF 1
 RELEASE NO. PR-21368
 REPLACES

THIS DRAWING COVERS A PROPRIETARY ITEM AND IS THE PROPERTY OF MICRO SWITCH, A DIVISION OF HONEYWELL. THIS DRAWING IS NOT TO BE COPIED OR USED WITHOUT THE APPROVAL OF MICRO SWITCH

CHARACTERISTICS		ELECTRICAL DATA		THIRD ANGLE PROJECTION
OPERATING FORCE	6-12 LB	CONTACT ARRANGEMENT		SCALE NONE
FULL OVERTRAVEL FORCE	30 LB MAX	4X S P D T		
RELEASE FORCE	4 LB MIN	28 VDC		DO NOT SCALE PRINT
PRETRAVEL	.040 MAX	LOAD	SEA LEVEL 50,000 FT	
DIFFERENTIAL TRAVEL	.020 MAX	RES	7 7	UNLESS OTHERWISE SPECIFIED TOLERANCES ARE
OVERTRAVEL	.250 MIN	IND	4 2.5	ONE PLACE (.0) ± .030
FREE POSITION		MOTOR	4 4	TWO PLACE (.00) ± .015
				THREE PLACE (.000) ± .005
				ANGLES †
				WEIGHT

ANSI Y14.5M-1982 APPLIES

X-ON Electronics

Largest Supplier of Electrical and Electronic Components

Click to view similar products for [Basic / Snap Action Switches](#) category:

Click to view products by [Honeywell](#) manufacturer:

Other Similar products are found below :

[83228001](#) [01.098.1358.1](#) [602EN1-6B](#) [602EN532](#) [602EN535-RB](#) [602HE5-RB1](#) [604HE162](#) [604HE223-6B](#) [624HE17-RB](#) [6HM89](#) [6PA78-JM](#)
[6SE1](#) [6SX1-H58](#) [70500840](#) [MBD5B1](#) [MBH2731](#) [73-316-0012](#) [79211759](#) [79211923](#) [79218589](#) [7AS12](#) [ML-1155](#) [ML-1376](#) [831010C3.0](#)
[831060C3.TL](#) [831090C2.EL](#) [83131904](#) [84212012](#) [8AS239](#) [8HM73-3](#) [903VB1-PG](#) [914CE1-6G](#) [PL-100](#) [11SM1077-H4](#) [11SM1077-H58](#)
[11SM1-TN107](#) [11SM405](#) [11SM703-T](#) [11SM8423-H2](#) [11SX37-T](#) [11SX48-H58](#) [11SX55-H58](#) [11SM2442-T](#) [11SM76-T](#) [11SM77-H58](#)
[11SM77-T](#) [11SM863-T](#) [11SM866](#) [11SX47-H58](#) [A7CN-1M-1-LEFT](#)