

## Voltage Detector

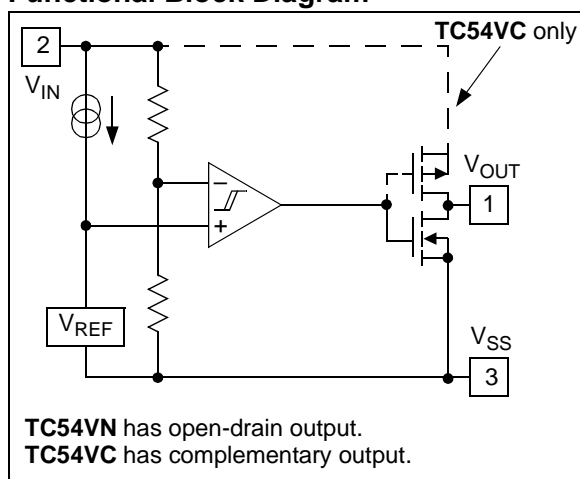
### Features

- Precise Detection Thresholds: Standard  $\pm 2.0\%$ , Custom  $\pm 1.0\%$
- Small Packages: 3-Pin SOT-23A, 3-Pin SOT-89, TO-92 and 5-Pin SOT-23A (7.7V only)
- Low Current Drain: Typ.  $1 \mu\text{A}$
- Wide Detection Range: 1.1V to 6.0V and 7.7V
- Wide Operating Voltage Range: 0.7V to 10V

### Applications

- Battery Voltage Monitoring
- Microprocessor Reset
- System Brown-Out Protection
- Switching Circuit in Battery Backup
- Level Discriminator

### Functional Block Diagram



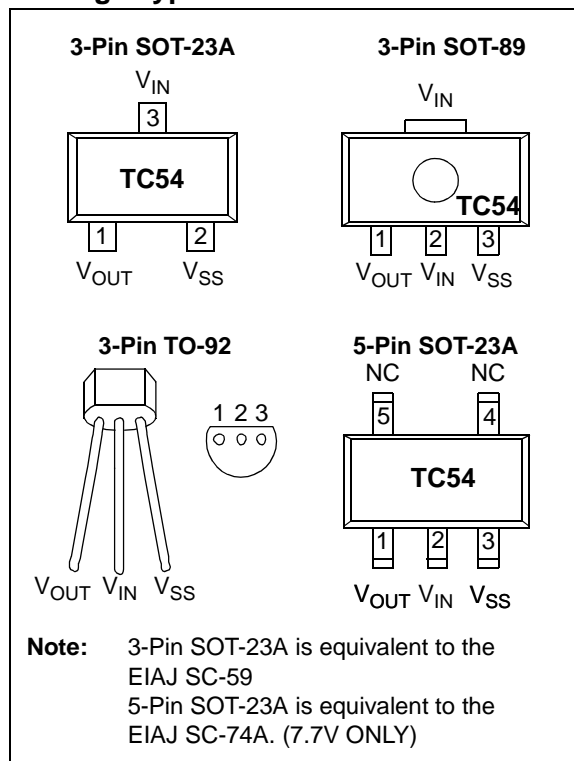
### General Description

The TC54 series are CMOS voltage detectors that are especially well suited for battery-powered applications because of their extremely low  $1 \mu\text{A}$  operating current and small surface-mount packaging. Each part is laser-trimmed to the desired threshold voltage, which can be specified from 1.4V to 7.7V for a 2% tolerance and from 1.5V to 6.0V for a 1% tolerance.

The device includes a comparator, low-current high-precision reference, laser-trimmed divider, hysteresis circuit and output driver. The TC54 is available with either an open-drain or complementary output stage.

During operation, the TC54's output ( $V_{OUT}$ ) remains in the logic-high state as long as  $V_{IN}$  is greater than the specified threshold voltage ( $V_{DET-}$ ). When  $V_{IN}$  falls below  $V_{DET-}$ , the output is driven to a logic-low.  $V_{OUT}$  remains low until  $V_{IN}$  rises above  $V_{DET-}$  by an amount  $V_{HYST}$ , whereupon it resets to a logic-high.

### Package Types



# TC54

## 1.0 ELECTRICAL CHARACTERISTICS

### Absolute Maximum Ratings †

Input Voltage .....	+12V
Output Current .....	50 mA
Output Voltage: CMOS.....	(V <sub>SS</sub> - 0.3V) to (V <sub>IN</sub> + 0.3V)
Open-Drain.....	(V <sub>SS</sub> - 0.3V) to 12V
Power Dissipation (T <sub>A</sub> ≤ 70°C):	
3-Pin SOT-23A .....	240 mW
3-Pin SOT-89.....	500 mW
5-Pin SOT-23A .....	240 mW
3-Pin TO-92 .....	300 mW
Operating Temperature Range.....	-40°C to +85°C
Storage Temperature Range .....	-65°C to +150°C

† Stresses above those listed under "Absolute Maximum Ratings" may cause permanent damage to the device. These are stress ratings only and functional operation of the device at these or any other conditions above those indicated in the operation sections of the specifications is not implied. Exposure to Absolute Maximum Rating conditions for extended periods may affect device reliability.

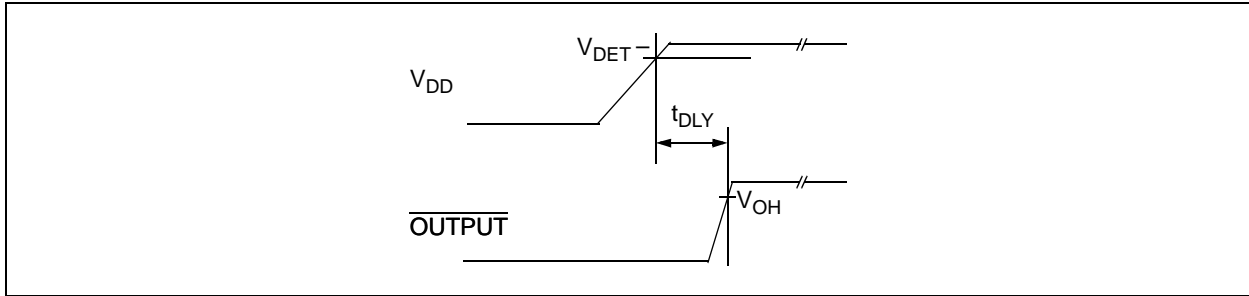
### PIN FUNCTION TABLE

Symbol	Description
V <sub>OUT</sub>	Digital Output
V <sub>IN</sub>	Analog Input
V <sub>SS</sub>	Ground Terminal
NC	No Connect
NC	No Connect

## DC CHARACTERISTICS

Electrical Specifications: Unless otherwise noted, T <sub>A</sub> = +25°C.						
Parameter	Sym	Min	Typ	Max	Units	Test Conditions
Operating Voltage	V <sub>IN</sub>	0.7	—	10.0	V	(V <sub>DET-</sub> ) = 0.8 to 6.0V
Quiescent Current	I <sub>SS</sub>	—	0.8	2.7	µA	V <sub>IN</sub> = 2.0V
		—	0.9	3.0		V <sub>IN</sub> = 3.0V
		—	1.0	3.2		V <sub>IN</sub> = 4.0V
		—	1.1	3.6		V <sub>IN</sub> = 5.0V
Threshold Voltage (Note 1)	V <sub>DET-</sub>	1.37	1.4	1.43	V	<b>TC54VX14</b>
		2.06	2.1	2.14		<b>TC54VX21</b>
		2.65	2.7	2.75		<b>TC54VX27</b>
		2.84	2.9	2.96		<b>TC54VX29</b>
		2.94	3.0	3.06		<b>TC54VX30</b>
		4.12	4.2	4.28		<b>TC54VX42</b>
		4.21	4.3	4.39		<b>TC54VX43</b>
		7.54	7.7	7.86		<b>TC54VX77 (5-pin SOT-23A only)</b>
Hysteresis Voltage	V <sub>HYST</sub>	28	70	112	mV	V <sub>DET</sub> = 1.4V (typ)
		42	105	168		V <sub>DET</sub> = 2.1V (typ)
		54	135	216		V <sub>DET</sub> = 2.7V (typ)
		58	145	232		V <sub>DET</sub> = 2.9V (typ)
		60	150	240		V <sub>DET</sub> = 3.0V (typ)
		84	210	336		V <sub>DET</sub> = 4.2V (typ)
		86	215	344		V <sub>DET</sub> = 4.3V (typ)
		154	385	616		V <sub>DET</sub> = 7.7V (typ)
Output Current	I <sub>OUT</sub>	—	7.7	—	mA	V <sub>OL</sub> = 0.5V, V <sub>IN</sub> = 2.1V
		—	10.1	—		V <sub>IN</sub> = 3.0V
		—	11.5	—		V <sub>IN</sub> = 4.0V
		—	13.0	—		V <sub>IN</sub> = 5.0V
		—	-10.0	—		<b>TC54VC Only:</b> V <sub>OH</sub> = V <sub>IN</sub> - 2.1V, V <sub>IN</sub> = 8.0V
Tempco of (V <sub>DET-</sub> )	T <sub>C</sub> (V <sub>DET-</sub> )	—	±100	—	ppm/°C	-40°C ≤ T <sub>A</sub> ≤ 85°C
Delay Time	t <sub>DLY</sub>	—	—	0.2	ms	V <sub>DET-</sub> → V <sub>OUT</sub> inversion

**Note 1:** For other voltage options, please contact your regional Microchip sales office.



**FIGURE 1-1:** Timing Diagram.

# TC54

---

## 2.0 PIN DESCRIPTIONS

The descriptions of the pins are listed in Table 2-1.

**TABLE 2-1: PIN FUNCTION TABLE**

Pin No. (3-Pin SOT-23A)	Pin No. (3-Pin SOT-89) (3-Pin TO-92)	Pin No. (5-Pin SOT-23A)	Symbol	Description
1	1	1	$V_{OUT}$	Digital Output
3	2	2	$V_{IN}$	Analog Input
2	3	3	$V_{SS}$	Ground Terminal
—	—	4	NC	No Connect
—	—	5	NC	No Connect

### 2.1 Digital Output ( $V_{OUT}$ )

$V_{OUT}$  goes low when  $V_{IN}$  drops below  $V_{DET-}$  and returns high when  $V_{IN}$  rises above  $V_{DET-} + V_{HYST}$ . (See Figure 3-1).

### 2.2 Analog Input ( $V_{IN}$ )

$V_{IN}$  can be used for power supply monitoring or a voltage level that requires monitoring.

### 2.3 Ground Terminal ( $V_{SS}$ )

$V_{SS}$  provides the negative reference for the analog input voltage. Typically, the circuit ground is used.

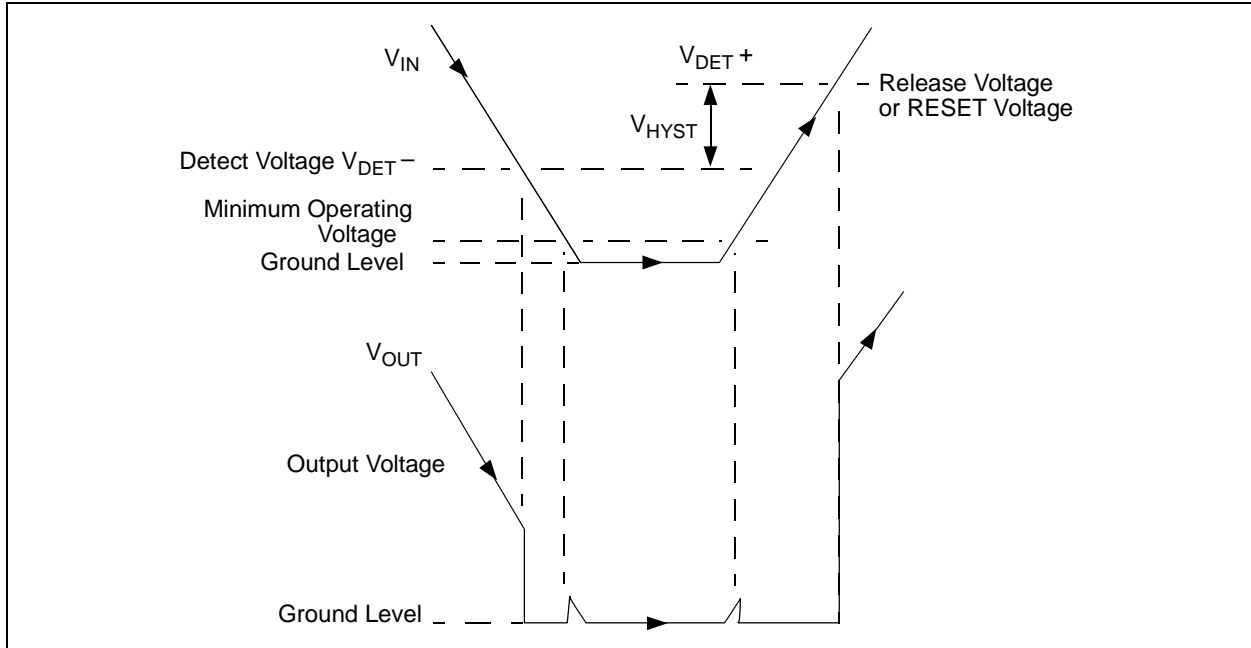
### 2.4 No Connect (NC)

No internal connection.

## 3.0 DETAILED DESCRIPTION

In normal steady-state operation when  $V_{IN} > V_{DET-}$ , the output will be at a logic-high (see Figure 3-1). In the case of the TC54VN, this is an open-drain condition. If the input falls below  $V_{DET-}$ , the output will pull down (Logic 0) to  $V_{SS}$ . Generally,  $V_{OUT}$  can pull down to within 0.5V of  $V_{SS}$  at rated output current and input voltage. (See **Section 1.0 “Electrical Characteristics”**).

The output ( $V_{OUT}$ ) will stay valid until the input voltage falls below the minimum operating voltage ( $V_{INMIN}$ ) of 0.7V. Below this minimum operating voltage the output is undefined. During power-up (or anytime  $V_{IN}$  has fallen below  $V_{INMIN}$ ),  $V_{OUT}$  will remain undefined until  $V_{IN}$  rises above  $V_{INMIN}$ . Once this occurs, the output will become valid.  $V_{OUT}$  will be in its active-low state, while  $V_{INMIN} < V_{IN} < V_{DET+}$  (therefore,  $V_{DET+} = V_{DET-} + V_{HYST}$ ). If the input rises above  $V_{DET+}$ , the output will assume its inactive state (high for TC54VC, open-drain for TC54VN).



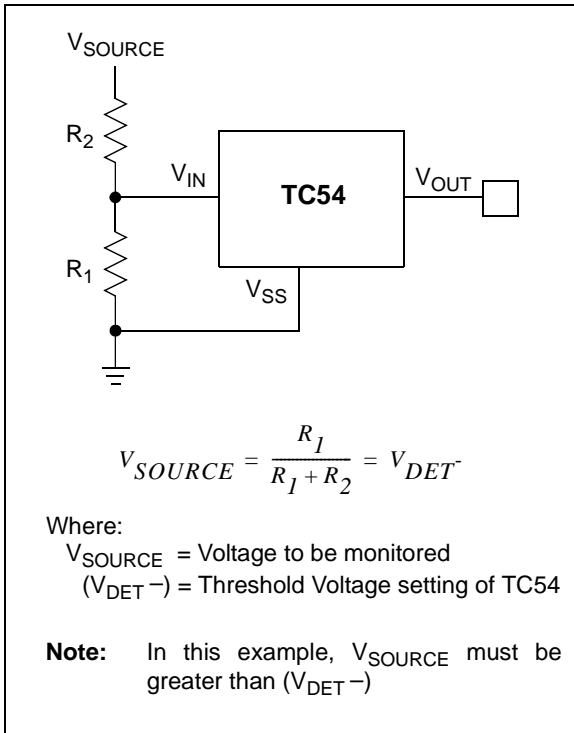
**FIGURE 3-1:** Timing Diagram.

## 4.0 APPLICATIONS INFORMATION

### 4.1 Modifying The Trip Point, $V_{DET-}$

Although the TC54 has a pre-programmed  $V_{DET-}$ , it is sometimes necessary to make adjustments during prototyping. This can be accomplished by connecting an external resistor divider to a TC54, which has a  $V_{DET-}$  lower than that of  $V_{SOURCE}$  (Figure 4-1).

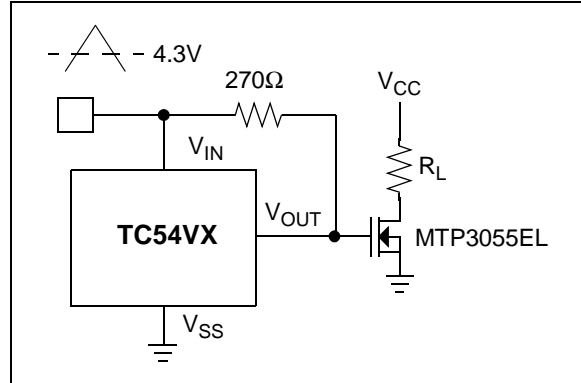
To maintain detector accuracy, the bleeder current through the divider should be significantly higher than the  $1\ \mu\text{A}$  operating current required by the TC54. A reasonable value for this bleeder current is  $100\ \mu\text{A}$  (100 times the  $1\ \mu\text{A}$  required by the TC54). For example, if  $V_{DET-} = 2\text{V}$  and the desired trip point is  $2.5\text{V}$ , the value of  $R_1 + R_2$  is  $25\ \text{k}\Omega$  ( $2.5\text{V}/100\ \mu\text{A}$ ). The value of  $R_1 + R_2$  can be rounded to the nearest standard value and plugged into the equation of Figure 4-1 to calculate values for  $R_1$  and  $R_2$ . 1% tolerance resistors are recommended.



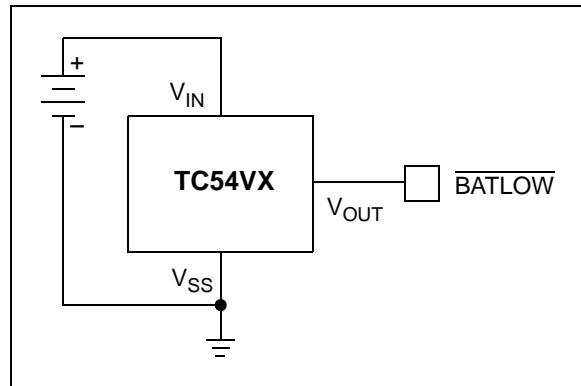
**FIGURE 4-1:** Modify trip-point of the TC54 using external resistor divider.

### 4.2 Other Applications

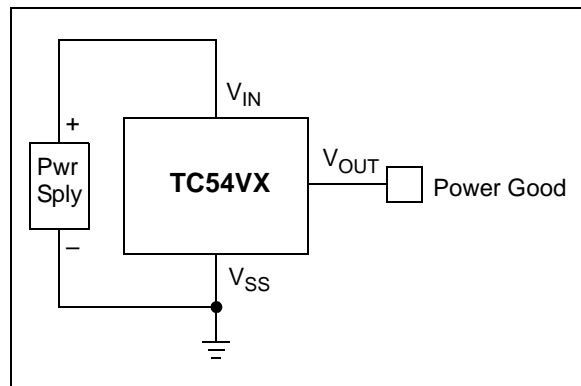
Low operating power and small physical size make the TC54 series ideal for many voltage detector applications, such as those shown in Figures 4-2, 4-3 and 4-4. Figure 4-2 shows a low-voltage gate drive protection circuit that prevents overheating of the logic-level MOSFET due to insufficient gate voltage. When the input signal is below the threshold of the TC54VN, its output grounds the gate of the MOSFET. Figure 4-3 and Figure 4-4 show the TC54 in conventional voltage monitoring applications.



**FIGURE 4-2:** MOSFET Low Drive Protection.



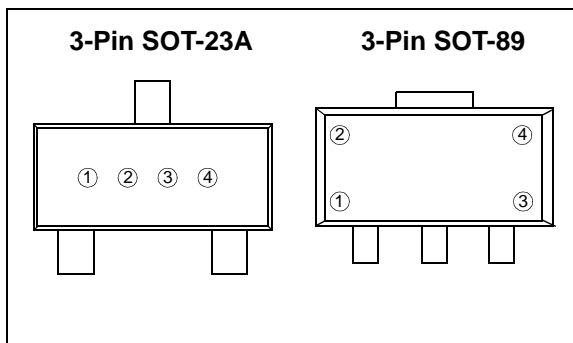
**FIGURE 4-3:** Battery Voltage Monitor.



**FIGURE 4-4:** Power Good Monitor.

## 5.0 PACKAGING INFORMATION

### 5.1 Package Marking Information



① represents output configuration (CMOS or Nch) and first integer of voltage

Ex: CMOS 3.x = ① ○ ○ ○

Symbol	Output	Voltage
B	CMOS	1.
C	CMOS	2.
D	CMOS	3.
E	CMOS	4.
F	CMOS	5.
H	CMOS	6.
I	CMOS	7.

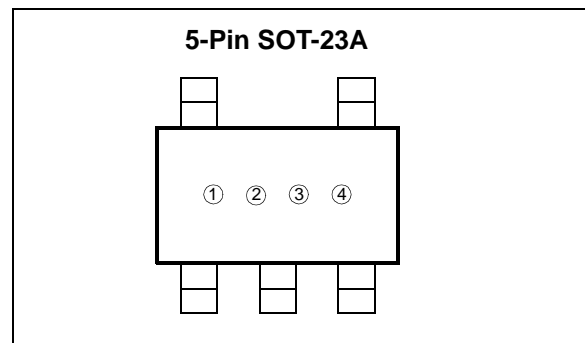
Symbol	Output	Voltage
L	Nch	1.
M	Nch	2.
N	Nch	3.
P	Nch	4.
R	Nch	5.
S	Nch	6.
T	Nch	7.

② represents first decimal of output voltage (0-9)

Ex: CMOS 3.x = ① ② ○ ○

Symbol	Voltage	Symbol	Voltage
0	.0	6	.6
1	.1	7	.7
2	.2	8	.8
3	.3	9	.9
4	.4		
5	.5		

③ & ④ represents assembly lot code



① represents output configuration and first integer of voltage

Symbol	Output	Voltage
T	Nch	7.

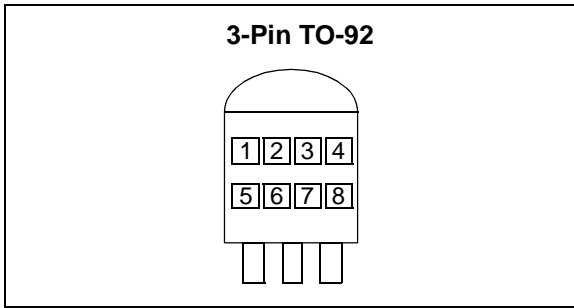
② represents first decimal of output voltage

Symbol	Voltage
0	.0
1	.1
2	.2
3	.3
4	.4
5	.5
6	.6
7	.7
8	.8
9	.9

③ & ④ represents assembly lot code

# TC54

## Package Marking Information (Continued)



①, ②, & ③ = 54X (fixed)

④ represents output configuration (CMOS or Nch)  
Ex: CMOS 3.x = © ○ ○ ○ ○

Symbol	Output
C	CMOS
N	N-Channel

⑤ represents first integer of detect voltage

Symbol	Voltage
2	2.
3	3.
4	4.
5	5.
6	6.

⑥ represents first decimal of detect voltage

Symbol	Voltage	Symbol	Voltage
0	.0	5	.5
1	.1	6	.6
2	.2	7	.7
3	.3	8	.8
4	.4	9	.9

⑦ represents the output Delay Time

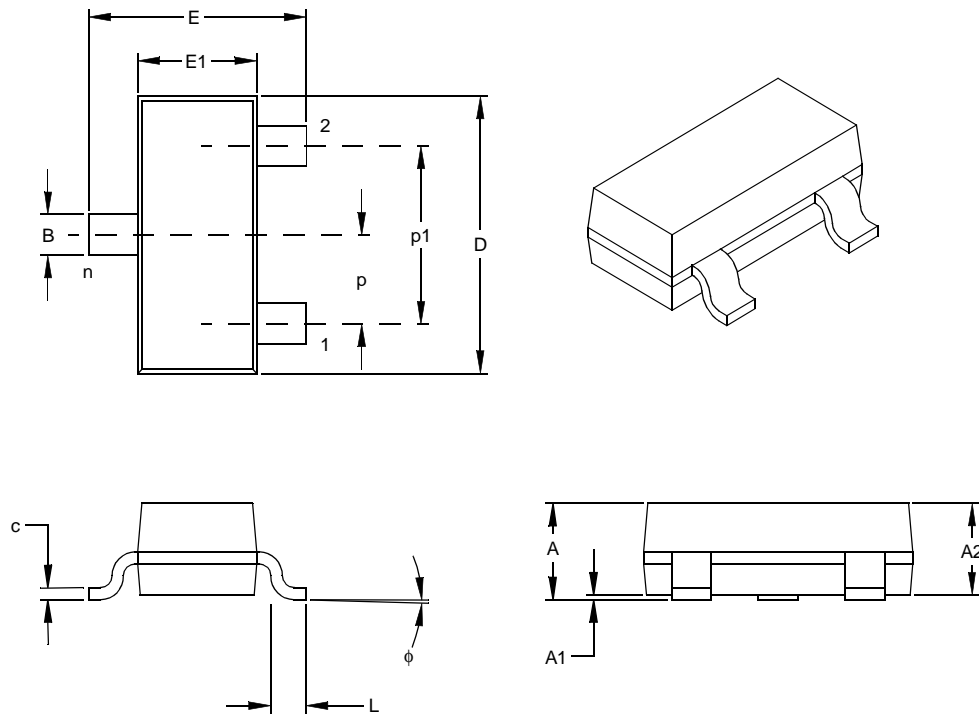
Symbol	Delay Time
0	No Delay

⑧ represents the device accuracy

Symbol	Accuracy
1	±1.0% (custom)
2	±2.0% (standard)



## 3-Lead Plastic Small Outline Transistor (CB) (SOT23A)



Dimension Limits	Units	INCHES			MILLIMETERS*		
		MIN	NOM	MAX	MIN	NOM	MAX
Number of Pins	n		3			3	
Pitch	p		.037			0.95	
Outside lead pitch (basic)	p1	.067	.075	.083	1.70	1.90	2.10
Overall Height	A	.035		.055	0.90	–	1.40
Molded Package Thickness	A2	.035	–	.051	0.90	–	1.30
Standoff	A1	.000	–	.004	0.00	–	0.10
Overall Width	E	.098	–	.118	2.50	–	3.00
Molded Package Width	E1	.055	–	.071	1.40	–	1.80
Overall Length	D	.106	–	.122	2.70	–	3.10
Foot Length	L	.014	–	.022	0.35	–	0.55
Foot Angle	φ	0	–	10	0	–	10
Lead Thickness	c	.004	–	.014	0.10	–	0.35
Lead Width	B	.012	–	.019	0.30	–	0.50

\*Controlling Parameter

**Notes:**

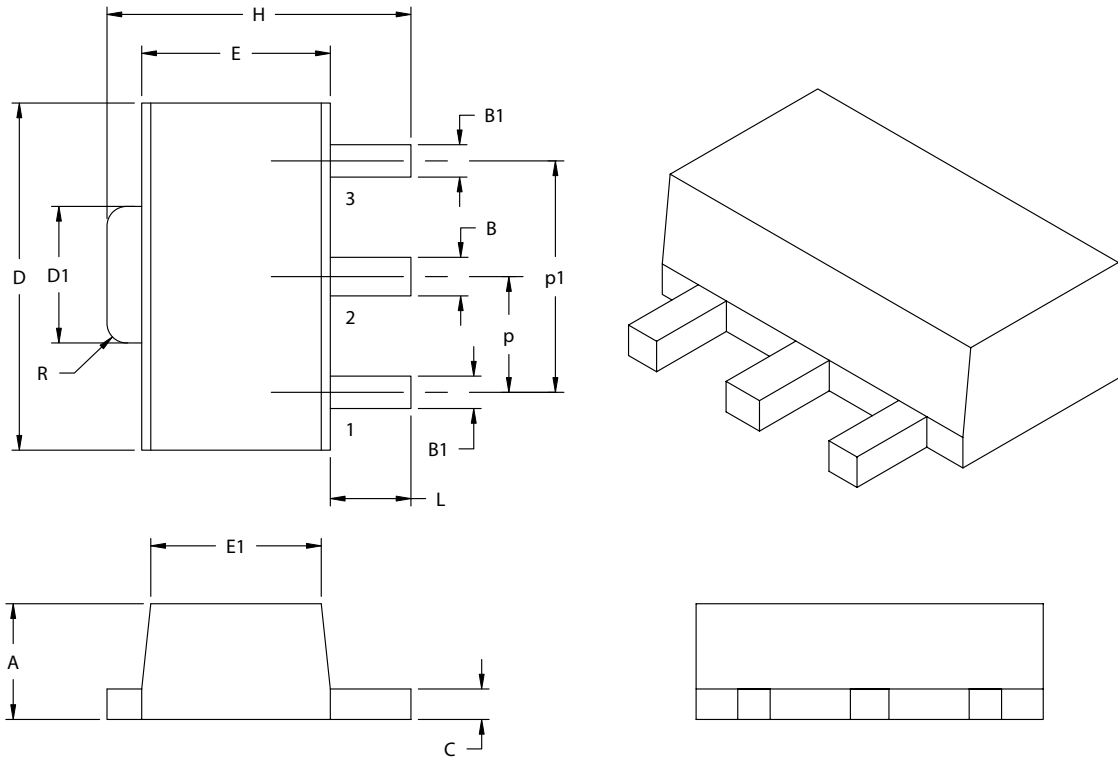
Dimensions D and E1 do not include mold flash or protrusions. Mold flash or protrusions shall not exceed .005" (0.127mm) per side.

EIAJ Equivalent: SC-59

Drawing No. C04-130

# TC54

## 3-Lead Plastic Small Outline Transistor (MB) (SOT89)



Dimension Limits	Units	INCHES		MILLIMETERS*	
		MIN	MAX	MIN	MAX
Pitch	P	.059 BSC		1.50 BSC	
Outside lead pitch (basic)	p1	.118 BSC		3.00 BSC	
Overall Height	A	.055	.063	1.40	1.60
Overall Width	H	.155	.167	3.94	4.25
Molded Package Width at Base	E	.090	.102	2.29	2.60
Molded Package Width at Top	E1	.084	.090	2.13	2.29
Overall Length	D	.173	.181	4.40	4.60
Tab Length	D1	.064	.072	1.62	1.83
Tab Corner Radii	R	.010		0.254	
Foot Length	L	.035	.047	0.89	1.20
Lead Thickness	c	.014	.017	0.35	0.44
Lead 2 Width	B	.017	.022	0.43	0.56
Leads 1 & 3 Width	B1	.014	.019	0.36	0.48

\*Controlling Parameter

Notes:

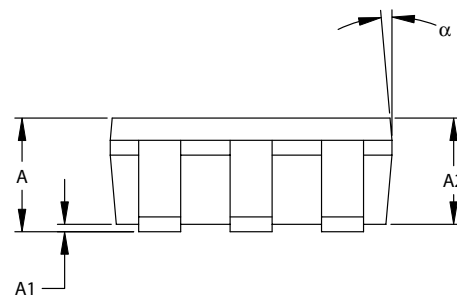
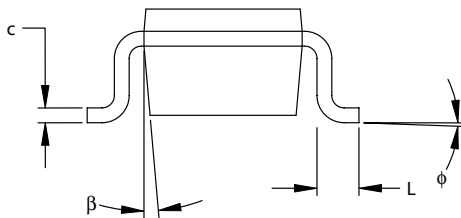
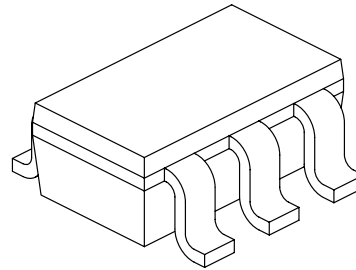
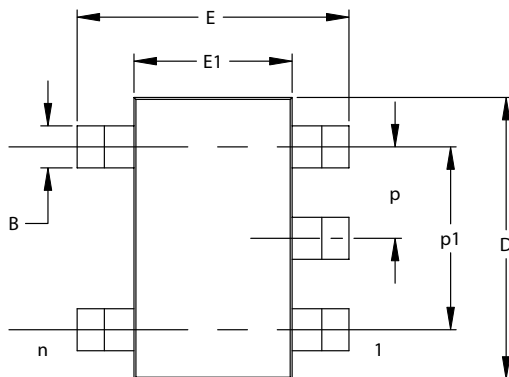
Dimensions D and E1 do not include mold or flash protrusions. Mold flash or protrusions shall not exceed .005" (0.127mm) per side.

JEDEC Equivalent: TO-243

Drawing No. C04-29

Revised 07-24-03

## 5-Lead Plastic Small Outline Transistor (CT) (SOT23)



Dimension Limits	Units	INCHES*			MILLIMETERS		
		MIN	NOM	MAX	MIN	NOM	MAX
Number of Pins	n	5			5		
Pitch	p		.038			0.95	
Outside lead pitch (basic)	p1		.075			1.90	
Overall Height	A	.035	.046	.057	0.90	1.18	1.45
Molded Package Thickness	A2	.035	.043	.051	0.90	1.10	1.30
Standoff	A1	.000	.003	.006	0.00	0.08	0.15
Overall Width	E	.102	.110	.118	2.60	2.80	3.00
Molded Package Width	E1	.059	.064	.069	1.50	1.63	1.75
Overall Length	D	.110	.116	.122	2.80	2.95	3.10
Foot Length	L	.014	.018	.022	0.35	0.45	0.55
Foot Angle	$\phi$	0	5	10	0	5	10
Lead Thickness	c	.004	.006	.008	0.09	0.15	0.20
Lead Width	B	.014	.017	.020	0.35	0.43	0.50
Mold Draft Angle Top	$\alpha$	0	5	10	0	5	10
Mold Draft Angle Bottom	$\beta$	0	5	10	0	5	10

\*Controlling Parameter

Notes:

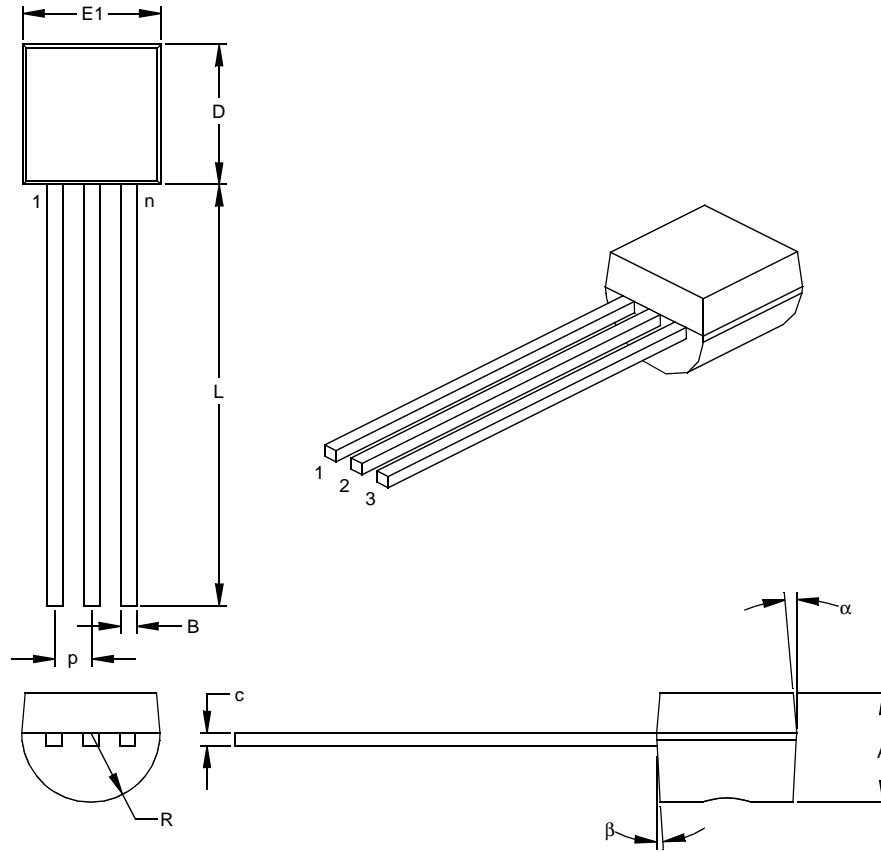
Dimensions D and E1 do not include mold flash or protrusions. Mold flash or protrusions shall not exceed .005" (0.127mm) per side.

EIAJ Equivalent: SC-74A

Drawing No. C04-091

# TC54

## 3-Lead Plastic Transistor Outline (ZB) (TO-92)



Dimension Limits	Units	INCHES*			MILLIMETERS		
		MIN	NOM	MAX	MIN	NOM	MAX
Number of Pins	n	3			3		
Pitch	P		.050			1.27	
Bottom to Package Flat	A	.130	.143	.155	3.30	3.62	3.94
Overall Width	E1	.175	.186	.195	4.45	4.71	4.95
Overall Length	D	.170	.183	.195	4.32	4.64	4.95
Molded Package Radius	R	.085	.090	.095	2.16	2.29	2.41
Tip to Seating Plane	L	.500	.555	.610	12.70	14.10	15.49
Lead Thickness	c	.014	.017	.020	0.36	0.43	0.51
Lead Width	B	.016	.019	.022	0.41	0.48	0.56
Mold Draft Angle Top	$\alpha$	4	5	6	4	5	6
Mold Draft Angle Bottom	$\beta$	2	3	4	2	3	4

\*Controlling Parameter

Notes:

Dimensions D and E1 do not include mold flash or protrusions. Mold flash or protrusions shall not exceed .010" (0.254mm) per side.

JEDEC Equivalent: TO-92

Drawing No. C04-101

## PRODUCT IDENTIFICATION SYSTEM

To order or obtain information, e.g., on pricing or delivery, refer to the factory or the listed sales office.

<u>PART NO.</u>	<u>X</u>	<u>XX</u>	<u>X</u>	<u>X</u>	<u>X</u>	<u>XX</u>	<u>XX</u>	<b>Examples:</b>																																																																																																																																																								
<b>Device</b>	<b>Output Config.</b>	<b>Detected Voltage</b>	<b>Extra Feature Code</b>	<b>Tolerance</b>	<b>Temp.</b>	<b>Pkg</b>	<b>Taping Direction</b>																																																																																																																																																									
<table border="1"> <tr> <td>Device:</td> <td>TC54V:</td> <td colspan="6">Voltage Detector</td> </tr> <tr> <td>Output Configuration:</td> <td>N</td> <td colspan="6">= Nch Open-Drain</td> </tr> <tr> <td></td> <td>C</td> <td colspan="6">= CMOS Output</td> </tr> <tr> <td>Detected Voltage:</td> <td>14</td> <td colspan="6">= 1.4V</td> </tr> <tr> <td></td> <td>21</td> <td colspan="6">= 2.1V</td> </tr> <tr> <td></td> <td>27</td> <td colspan="6">= 2.7V</td> </tr> <tr> <td></td> <td>29</td> <td colspan="6">= 2.9V</td> </tr> <tr> <td></td> <td>30</td> <td colspan="6">= 3.0V</td> </tr> <tr> <td></td> <td>42</td> <td colspan="6">= 4.2V</td> </tr> <tr> <td></td> <td>43</td> <td colspan="6">= 4.3V</td> </tr> <tr> <td>Extra Feature Code:</td> <td>0</td> <td colspan="6">= Fixed</td> </tr> <tr> <td>Tolerance:</td> <td>1</td> <td colspan="6">= 1% (custom)</td> </tr> <tr> <td></td> <td>2</td> <td colspan="6">= 2% (standard)</td> </tr> <tr> <td>Temperature:</td> <td>E</td> <td colspan="6">= -40°C to +85°C</td> </tr> <tr> <td>Package:</td> <td>CB</td> <td colspan="6">= 3-Pin SOT-23A (equivalent to EIAJ SC-59)</td> </tr> <tr> <td></td> <td>MB</td> <td colspan="6">= 3-Pin SOT-89</td> </tr> <tr> <td></td> <td>CT</td> <td colspan="6">= 5-Pin SOT-23A (equivalent to EIAJ SC-74A) (7.7V ONLY)</td> </tr> <tr> <td></td> <td>ZB</td> <td colspan="6">= Transistor Outline (TO-92), 3-lead</td> </tr> <tr> <td>Taping Direction:</td> <td>713</td> <td colspan="6">= Standard Taping</td> </tr> </table>								Device:	TC54V:	Voltage Detector						Output Configuration:	N	= Nch Open-Drain							C	= CMOS Output						Detected Voltage:	14	= 1.4V							21	= 2.1V							27	= 2.7V							29	= 2.9V							30	= 3.0V							42	= 4.2V							43	= 4.3V						Extra Feature Code:	0	= Fixed						Tolerance:	1	= 1% (custom)							2	= 2% (standard)						Temperature:	E	= -40°C to +85°C						Package:	CB	= 3-Pin SOT-23A (equivalent to EIAJ SC-59)							MB	= 3-Pin SOT-89							CT	= 5-Pin SOT-23A (equivalent to EIAJ SC-74A) (7.7V ONLY)							ZB	= Transistor Outline (TO-92), 3-lead						Taping Direction:	713	= Standard Taping						<p>a) TC54VC1402ECB713: 1.4V Voltage Detector, 2% Tol., SOT-23A-3-TR.</p> <p>b) TC54VC1402EMB713: 1.4V Voltage Detector, 2% Tol., SOT-89-3-TR.</p> <p>c) TC54VC1402EZB: 1.4V Voltage Detector, 2% Tol., TO-92.</p> <p>d) TC54VC2102ECB713: 2.1V Voltage Detector, 2% Tol., SOT-23A-3-TR.</p> <p>e) TC54VC2102EMB713: 2.1V Voltage Detector, 2% Tol., SOT-89-3-TR.</p> <p>f) TC54VC2102EZB: 2.1V Voltage Detector, 2% Tol., TO-92.</p> <p>g) TC54VC2702ECB713: 2.7V Voltage Detector, 2% Tol., SOT-23A-3-TR.</p> <p>h) TC54VC3002ECB713: 3.0V Voltage Detector, 2% Tol., SOT-23A-3-TR.</p> <p>i) TC54VN4202ECB713: 4.2V Voltage Detector, 2% Tol., SOT-23A-3-TR.</p> <p>j) TC54VN7702ECT713: 7.7V Voltage Detector, 2% Tol., SOT-23A-3-TR.</p>
Device:	TC54V:	Voltage Detector																																																																																																																																																														
Output Configuration:	N	= Nch Open-Drain																																																																																																																																																														
	C	= CMOS Output																																																																																																																																																														
Detected Voltage:	14	= 1.4V																																																																																																																																																														
	21	= 2.1V																																																																																																																																																														
	27	= 2.7V																																																																																																																																																														
	29	= 2.9V																																																																																																																																																														
	30	= 3.0V																																																																																																																																																														
	42	= 4.2V																																																																																																																																																														
	43	= 4.3V																																																																																																																																																														
Extra Feature Code:	0	= Fixed																																																																																																																																																														
Tolerance:	1	= 1% (custom)																																																																																																																																																														
	2	= 2% (standard)																																																																																																																																																														
Temperature:	E	= -40°C to +85°C																																																																																																																																																														
Package:	CB	= 3-Pin SOT-23A (equivalent to EIAJ SC-59)																																																																																																																																																														
	MB	= 3-Pin SOT-89																																																																																																																																																														
	CT	= 5-Pin SOT-23A (equivalent to EIAJ SC-74A) (7.7V ONLY)																																																																																																																																																														
	ZB	= Transistor Outline (TO-92), 3-lead																																																																																																																																																														
Taping Direction:	713	= Standard Taping																																																																																																																																																														

## Sales and Support

### Data Sheets

Products supported by a preliminary Data Sheet may have an errata sheet describing minor operational differences and recommended workarounds. To determine if an errata sheet exists for a particular device, please contact one of the following:

1. Your local Microchip sales office
2. The Microchip Corporate Literature Center U.S. FAX: (480) 792-7277
3. The Microchip Worldwide Site ([www.microchip.com](http://www.microchip.com))

Please specify which device, revision of silicon and Data Sheet (include Literature #) you are using.

### Customer Notification System

Register on our web site ([www.microchip.com/cn](http://www.microchip.com/cn)) to receive the most current information on our products.

# TC54

---

NOTES:

---

**Note the following details of the code protection feature on Microchip devices:**

- Microchip products meet the specification contained in their particular Microchip Data Sheet.
- Microchip believes that its family of products is one of the most secure families of its kind on the market today, when used in the intended manner and under normal conditions.
- There are dishonest and possibly illegal methods used to breach the code protection feature. All of these methods, to our knowledge, require using the Microchip products in a manner outside the operating specifications contained in Microchip's Data Sheets. Most likely, the person doing so is engaged in theft of intellectual property.
- Microchip is willing to work with the customer who is concerned about the integrity of their code.
- Neither Microchip nor any other semiconductor manufacturer can guarantee the security of their code. Code protection does not mean that we are guaranteeing the product as "unbreakable."

Code protection is constantly evolving. We at Microchip are committed to continuously improving the code protection features of our products. Attempts to break Microchip's code protection feature may be a violation of the Digital Millennium Copyright Act. If such acts allow unauthorized access to your software or other copyrighted work, you may have a right to sue for relief under that Act.

---

Information contained in this publication regarding device applications and the like is intended through suggestion only and may be superseded by updates. It is your responsibility to ensure that your application meets with your specifications. No representation or warranty is given and no liability is assumed by Microchip Technology Incorporated with respect to the accuracy or use of such information, or infringement of patents or other intellectual property rights arising from such use or otherwise. Use of Microchip's products as critical components in life support systems is not authorized except with express written approval by Microchip. No licenses are conveyed, implicitly or otherwise, under any intellectual property rights.

**Trademarks**

The Microchip name and logo, the Microchip logo, Accuron, dsPIC, KEELOQ, microID, MPLAB, PIC, PICmicro, PICSTART, PRO MATE, PowerSmart, rfPIC, and SmartShunt are registered trademarks of Microchip Technology Incorporated in the U.S.A. and other countries.


AmpLab, FilterLab, MXDEV, MXLAB, PICMASTER, SEEVAL, SmartSensor and The Embedded Control Solutions Company are registered trademarks of Microchip Technology Incorporated in the U.S.A.

Analog-for-the-Digital Age, Application Maestro, dsPICDEM, dsPICDEM.net, dsPICworks, ECAN, ECONOMONITOR, FanSense, FlexROM, fuzzyLAB, In-Circuit Serial Programming, ICSP, ICEPIC, Migratable Memory, MPASM, MPLIB, MPLINK, MPSIM, PICkit, PICDEM, PICDEM.net, PICLAB, PICtail, PowerCal, PowerInfo, PowerMate, PowerTool, rfLAB, rfPICDEM, Select Mode, Smart Serial, SmartTel and Total Endurance are trademarks of Microchip Technology Incorporated in the U.S.A. and other countries.

SQTP is a service mark of Microchip Technology Incorporated in the U.S.A.

All other trademarks mentioned herein are property of their respective companies.

© 2004, Microchip Technology Incorporated, Printed in the U.S.A., All Rights Reserved.

 Printed on recycled paper.

**QUALITY MANAGEMENT SYSTEM  
CERTIFIED BY DNV  
== ISO/TS 16949:2002 ==**

*Microchip received ISO/TS-16949:2002 quality system certification for its worldwide headquarters, design and wafer fabrication facilities in Chandler and Tempe, Arizona and Mountain View, California in October 2003. The Company's quality system processes and procedures are for its PICmicro® 8-bit MCUs, KEELOQ® code hopping devices, Serial EEPROMs, microperipherals, nonvolatile memory and analog products. In addition, Microchip's quality system for the design and manufacture of development systems is ISO 9001:2000 certified.*



---

---

## WORLDWIDE SALES AND SERVICE

---

---

### AMERICAS

**Corporate Office**  
2355 West Chandler Blvd.  
Chandler, AZ 85224-6199  
Tel: 480-792-7200  
Fax: 480-792-7277  
Technical Support:  
480-792-7627  
Web Address:  
www.microchip.com

**Atlanta**  
Alpharetta, GA  
Tel: 770-640-0034  
Fax: 770-640-0307

**Boston**  
Westford, MA  
Tel: 978-692-3848  
Fax: 978-692-3821

**Chicago**  
Itasca, IL  
Tel: 630-285-0071  
Fax: 630-285-0075

**Dallas**  
Addison, TX  
Tel: 972-818-7423  
Fax: 972-818-2924

**Detroit**  
Farmington Hills, MI  
Tel: 248-538-2250  
Fax: 248-538-2260

**Kokomo**  
Kokomo, IN  
Tel: 765-864-8360  
Fax: 765-864-8387

**Los Angeles**  
Mission Viejo, CA  
Tel: 949-462-9523  
Fax: 949-462-9608

**San Jose**  
Mountain View, CA  
Tel: 650-215-1444  
Fax: 650-961-0286

**Toronto**  
Mississauga, Ontario,  
Canada  
Tel: 905-673-0699  
Fax: 905-673-6509

### ASIA/PACIFIC

**Australia - Sydney**  
Tel: 61-2-9868-6733  
Fax: 61-2-9868-6755

**China - Beijing**  
Tel: 86-10-8528-2100  
Fax: 86-10-8528-2104

**China - Chengdu**  
Tel: 86-28-8676-6200  
Fax: 86-28-8676-6599

**China - Fuzhou**  
Tel: 86-591-750-3506  
Fax: 86-591-750-3521

**China - Hong Kong SAR**  
Tel: 852-2401-1200  
Fax: 852-2401-3431

**China - Shanghai**  
Tel: 86-21-6275-5700  
Fax: 86-21-6275-5060

**China - Shenzhen**  
Tel: 86-755-8290-1380  
Fax: 86-755-8295-1393

**China - Shunde**  
Tel: 86-757-2839-5507  
Fax: 86-757-2839-5571

**China - Qingdao**  
Tel: 86-532-502-7355  
Fax: 86-532-502-7205

### ASIA/PACIFIC

**India - Bangalore**  
Tel: 91-80-2229-0061  
Fax: 91-80-2229-0062

**India - New Delhi**  
Tel: 91-11-5160-8632  
Fax: 91-11-5160-8632

**Japan - Kanagawa**  
Tel: 81-45-471-6166  
Fax: 81-45-471-6122

**Korea - Seoul**  
Tel: 82-2-554-7200  
Fax: 82-2-558-5932 or  
82-2-558-5934

**Singapore**  
Tel: 65-6334-8870  
Fax: 65-6334-8850

**Taiwan - Kaohsiung**  
Tel: 886-7-536-4816  
Fax: 886-7-536-4817

**Taiwan - Taipei**  
Tel: 886-2-2500-6610  
Fax: 886-2-2508-0102

**Taiwan - Hsinchu**  
Tel: 886-3-572-9526  
Fax: 886-3-572-6459

### EUROPE

**Austria - Weis**  
Tel: 43-7242-2244-399  
Fax: 43-7242-2244-393

**Denmark - Ballerup**  
Tel: 45-4420-9895  
Fax: 45-4420-9910

**France - Massy**  
Tel: 33-1-69-53-63-20  
Fax: 33-1-69-30-90-79

**Germany - Ismaning**  
Tel: 49-89-627-144-0  
Fax: 49-89-627-144-44

**Italy - Milan**  
Tel: 39-0331-742611  
Fax: 39-0331-466781

**Netherlands - Drunen**  
Tel: 31-416-690399  
Fax: 31-416-690340

**England - Berkshire**  
Tel: 44-118-921-5869  
Fax: 44-118-921-5820

08/24/04



## X-ON Electronics

Largest Supplier of Electrical and Electronic Components

*Click to view similar products for [Supervisory Circuits](#) category:*

*Click to view products by [Microchip](#) manufacturer:*

Other Similar products are found below :

[NCP304LSQ38T1G](#) [NCP304LSQ40T1G](#) [NCP304LSQ42T1G](#) [NCP304LSQ43T1G](#) [NCP304LSQ46T1G](#) [NCP305LSQ11T1G](#)  
[NCP305LSQ16T1G](#) [NCP305LSQ17T1G](#) [NCP305LSQ18T1G](#) [NCP305LSQ24T1G](#) [NCP305LSQ25T1G](#) [NCP305LSQ29T1G](#)  
[NCP305LSQ31T1G](#) [NCP305LSQ32T1G](#) [NCP308MT250TBG](#) [NCP308SN300T1G](#) [NCP391FCALT2G](#) [NCV303LSN42T1G](#)  
[NCV308SN330T1G](#) [CAT1161LI-25-G](#) [CAT853STBI-T3](#) [MAX1232CPA](#) [MAX705CPA](#) [CAT1026LI-30-G](#) [CAT1320LI-25-G](#) [CAT872-30ULGT3](#) [LA-ispPAC-POWR1014-01TN48E](#) [NCP304HSQ18T1G](#) [NCP304HSQ29T1G](#) [NCP304LSQ27T1G](#) [NCP304LSQ29T1G](#)  
[NCP304LSQ45T1G](#) [NCP305LSQ26T1G](#) [NCP305LSQ35T1G](#) [NCP305LSQ37T1G](#) [NCP308MT300TBG](#) [NCV300LSN36T1G](#)  
[NCV302LSN30T1G](#) [NCV303LSN16T1G](#) [NCV303LSN22T1G](#) [NCV303LSN27T1G](#) [NCV33161DMR2G](#) [TC54VN2402EMB713](#)  
[MCP1316T-44NE/OT](#) [MCP1316MT-45GE/OT](#) [MCP1316MT-23LI/OT](#) [MCP1316T-26LE/OT](#) [MAX8997EWW+](#) [MAX821RUS+T](#)  
[MAX6725AKASYD3-LF-T](#)