

4

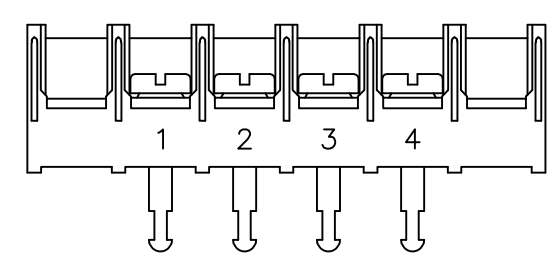
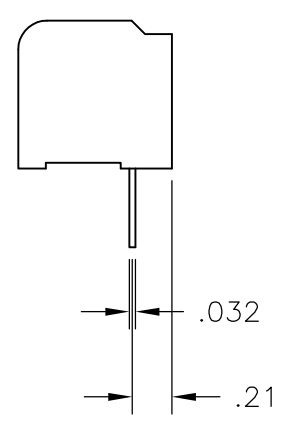
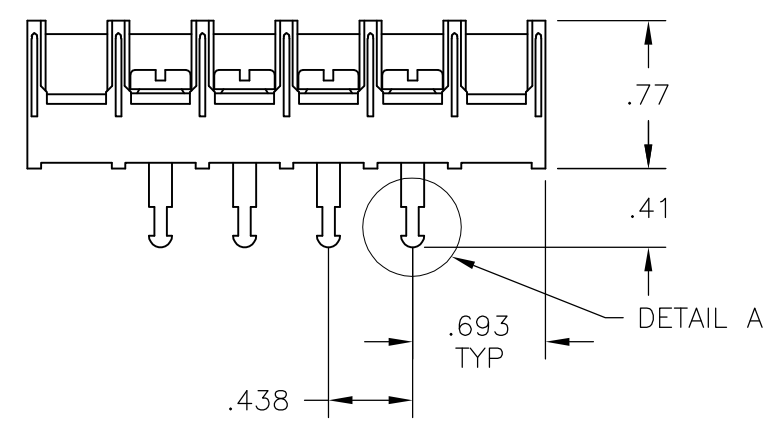
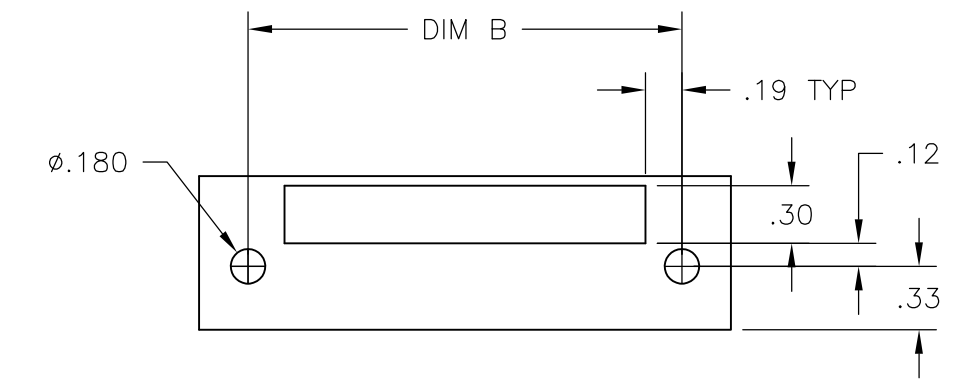
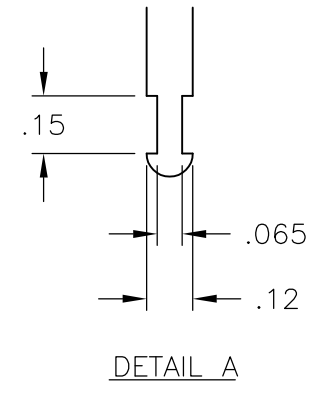
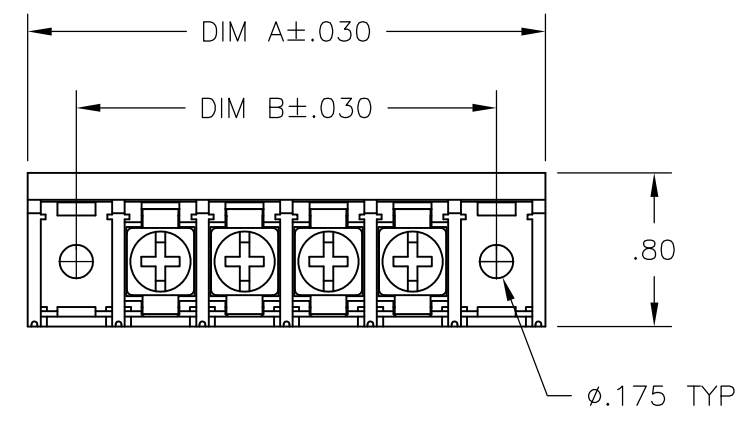
3

2

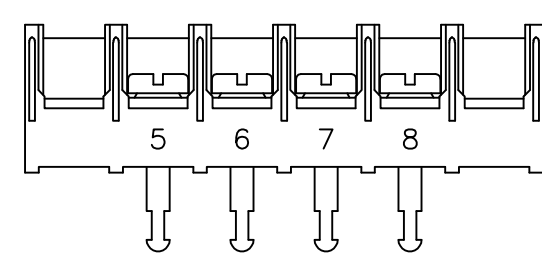
1

THIS DRAWING IS UNPUBLISHED. RELEASED FOR PUBLICATION  
 © COPYRIGHT BY TYCO ELECTRONICS CORPORATION. ALL RIGHTS RESERVED.

LOC	DIST	REVISIONS					
FT	0	P	LTR	DESCRIPTION	DATE	DWN	APVD
			D	REVISED PER ECO-10-004812	06MAY10	HMR	CR



1-796857-9



2-796857-0

8.312	8.823	18	8STV-18-006	1-796857-8
7.875	8.385	17	8STV-17-006	1-796857-7
7.437	7.948	16	8STV-16-006	1-796857-6
7.000	7.510	15	8STV-15-006	796857-2
6.562	7.073	14	8STV-14-006	1-796857-4
6.125	6.635	13	8STV-13-006	1-796857-3
5.687	6.198	12	8STV-12-006	6-1437659-6
5.250	5.760	11	8STV-11-006	1-796857-1
4.812	5.323	10	8STV-10-006	6-1437659-4
4.375	4.885	9	8STV-09-006	6-1437659-3
3.937	4.448	8	8STV-08-006	796857-8
3.500	4.010	7	8STV-07-006	796857-7
3.062	3.573	6	8STV-06-006	796857-1
2.625	3.135	5	8STV-05-006	796857-6
2.187	2.698	4	8STV-04-660	<del>2-796857-0</del>
2.187	2.698	4	8STV-04-659	<del>1-796857-9</del>
2.187	2.698	4	8STV-04-006	5-1437659-2
1.750	2.260	3	8STV-03-006	4-1437659-8
1.313	1.823	2	8STV-02-006	796857-5
DIM B	DIM A	NO OF POS	CATALOG NUMBER	TE PART NO

1  
OBSOLETE

MATERIAL:  
 HOUSING: THERMOPLASTIC, UL94V-0, BLACK.  
 TERMINALS: BRIGHT TIN PLATED COPPER ALLOY.  
 SCREWS: 8-32, ZINC PLATED STEEL.

ELECTRICAL:  
 CURRENT RATING: 30A  
 VOLTAGE RATING: 600V  
 WIRE RANGE: 10-18 AWG (UL)  
 10-22 AWG (CSA)

ENVIRONMENTAL:  
 RECOMMENDED TORQUE: 20 IN-LB.  
 OPERATING TEMP.: -40°C TO +120°C

1 OBSOLETE PARTS: OBSOLETE CIS STREAMLINING PER D.RENAUD/D.SINISI

THIS DRAWING IS A CONTROLLED DOCUMENT.		DWN	S SCHLEGEL	2/6/04	Tyco Electronics Corporation Harrisburg, PA 17105-3608			
DIMENSIONS: INCHES		CHK	H WAKEEM	2/6/04				
TOLERANCES UNLESS OTHERWISE SPECIFIED:		APVD	S YODER	2/6/04				
0 PLC ± - 1 PLC ± - 2 PLC ± .01 3 PLC ± .005 4 PLC ± - ANGLES ± 2'		PRODUCT SPEC		NAME				
MATERIAL		APPLICATION SPEC		8STV-XX-006 ASSEMBLY				
FINISH		WEIGHT	-		SIZE	CAGE CODE	DRAWING NO	RESTRICTED TO
-		-		A3		00779	C-4-1437659-8	-
CUSTOMER DRAWING				SCALE	1:1	SHEET	1 OF 1	REV
				D				

## X-ON Electronics

Largest Supplier of Electrical and Electronic Components

*Click to view similar products for [Barrier Terminal Blocks](#) category:*

*Click to view products by [TE Connectivity](#) manufacturer:*

Other Similar products are found below :

[CTA-0103](#) [6PCR-02-008](#) [6PCR-05-008](#) [6PCR-08-008](#) [6PCR-21-006](#) [6PCV-06-008](#) [6PCV-10-009](#) [6PCV-15-008](#) [6STR-06-006](#) [6STR-08-006](#) [6STR-12-008](#) [6STR-14-008](#) [6STR-16-008](#) [6STR-17-008](#) [6STR-21-008](#) [6STR-25-008](#) [6STR-27-008](#) [6STV-03-006](#) [6STV-03-008](#) [6STV-04-006](#) [6STV-10-006](#) [6WWR-03](#) [6WWV-11-008](#) [6WWV-12-008](#) [6WWV-16-008](#) [7-1546701-0](#) [72212603](#) [72503-C](#) [73203](#) [76007](#) [7606-602LF](#) [77010-50](#) [796985-3](#) [796988-4](#) [7C1N08](#) [8-1437402-5](#) [8-1437402-7](#) [8-1546158-0](#) [870505](#) [870903](#) [8PCR-06-006](#) [8PCV-02-008](#) [8PCV-04-008](#) [8PCV-05-008](#) [8PCV-09-006](#) [8PCV-15-006](#) [8PCV-16-006](#) [8PCV-17-006](#) [8QCR-03-008](#) [8STV-04-006](#)