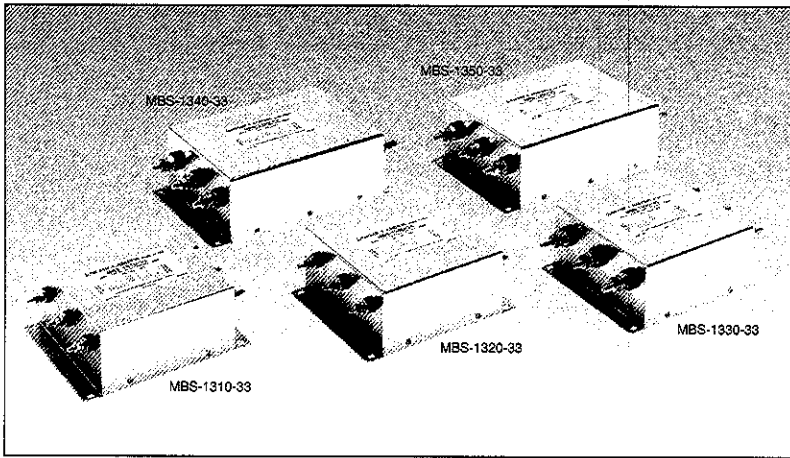


MBS-13-SERIES



■ Features

- (1) For equipment designed to conform EMI regulations such as VCCI, CISPR, FCC, VDE, etc.
- (2) Effective for high voltage pulse noise.
- (3) Compact type
- (4) Leakage current: 1mA max. (250V, 60Hz)

■ Safety standard

- UL1283, CSA Std. C22. 2 No. 8
- VDE0565 Teil. 3 (TÜV)

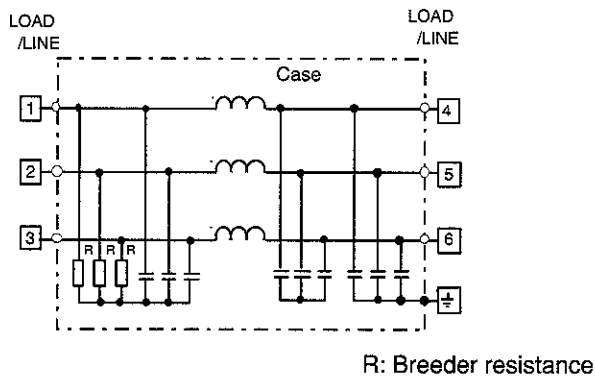
■ Specifications

Item	Model	MBS-1310-33	MBS-1320-33	MBS-1330-33	MBS-1340-33	MBS-1350-33
1	Rated voltage (AC) 3 phase - 3 wire three wire	250V				
2	Rated current (AC)	10A (Note 1)	20A (Note 1)	30A (Note 1)	40A (Note 2)	50A (Note 2)
3	Test voltage (terminal to case, AC 1 minute)	2500V				
4	Isolation resistance (terminal to case, 500VDC)	100MΩ min.				
5	Leakage current	125V, 60Hz		0.5mA max.		
		250V, 60Hz		1mA max.		
6	DC resistance	0.08Ω max.	0.03Ω max.	0.02Ω max.	0.02Ω max.	0.01Ω max.
7	Temperature rise	30°C max.			35°C max.	
8	Operating temperature range	-25 ~ +85°C				
9	Weight (typ)	1700g	1700g	1800g	2800g	2800g

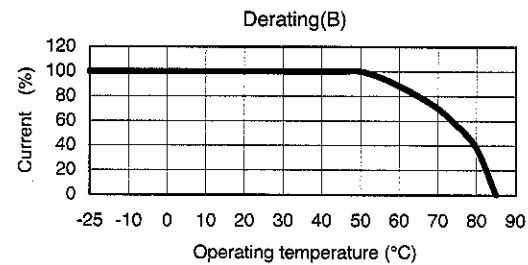
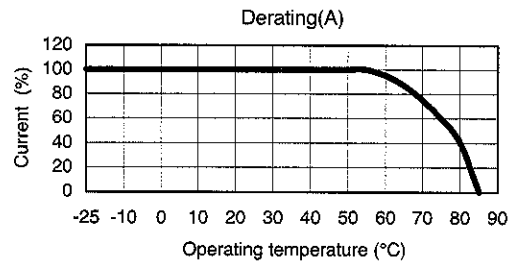
(Note 1) : Value at $T_a \leq 55^\circ\text{C}$. Refer to the derating curve shown below at $T_a > 55^\circ\text{C}$.
 (Note 2) : Value at $T_a \leq 50^\circ\text{C}$. Refer to the derating curve shown below at $T_a > 50^\circ\text{C}$.

Noise Filter

■ Circuit



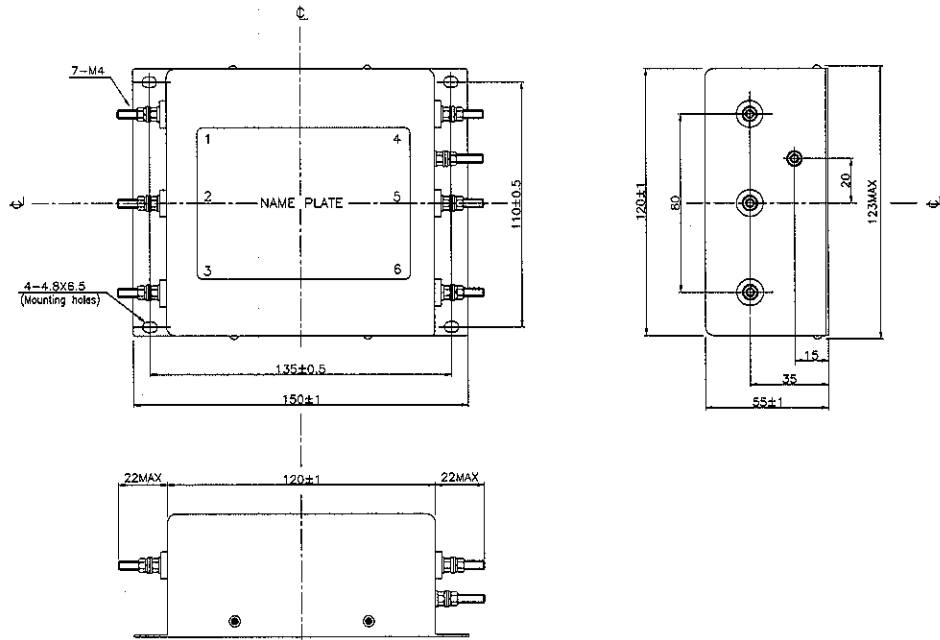
■ Derating



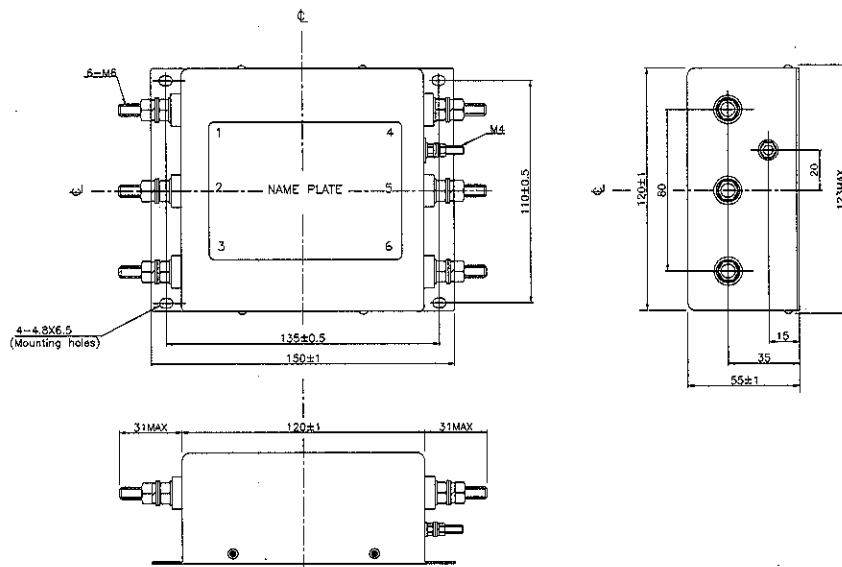
- Request customer specification for further details of specifications, outline, characteristics, etc.
- Read the instruction manual before usage.
- Contact us about delivery before ordering.

MBS-13-SERIES

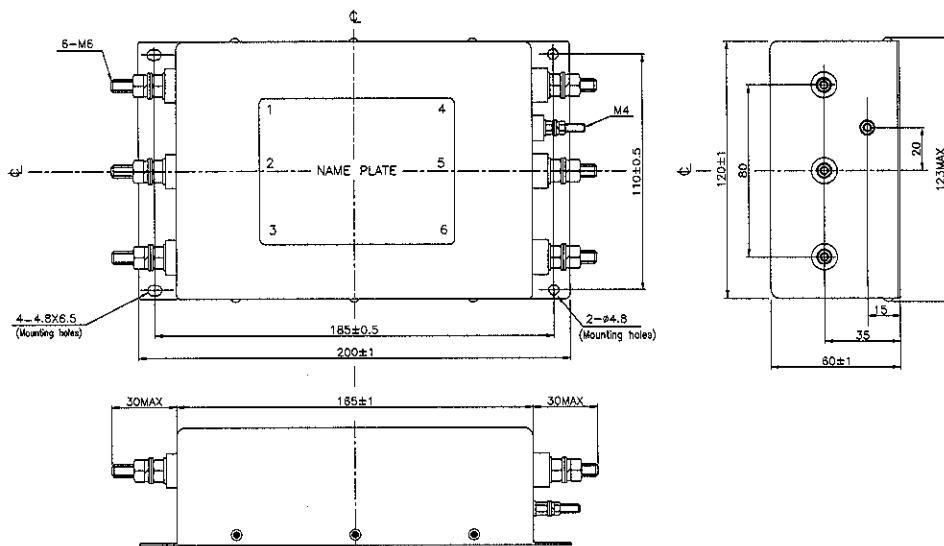
- MBS-1310-33
- MBS-1320-33



- MBS-1330-33



- MBS-1340-33
- MBS-1350-33



Case: Metal

(Unit: mm)

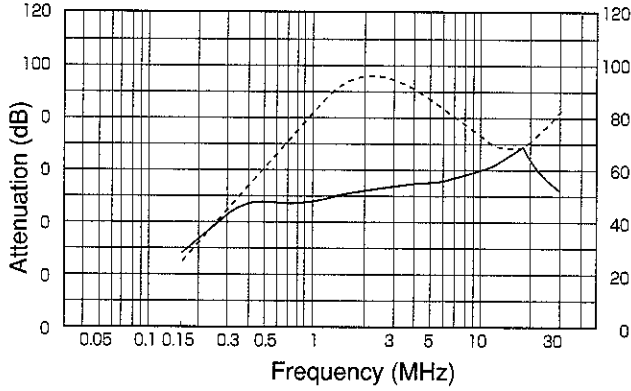
Noise Filter

MBS-13-SERIES

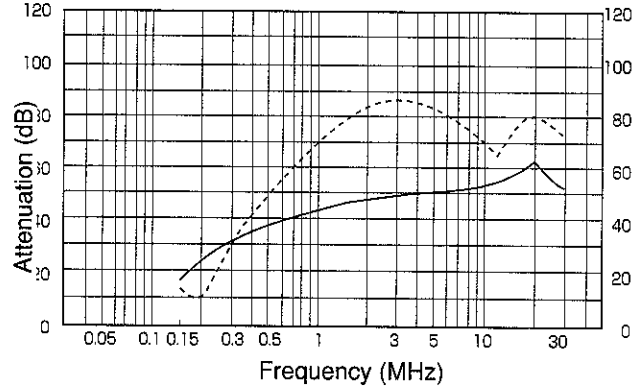
CHARACTERISTICS

■ Typical Insertion Loss Symmetrical
 — Asymmetrical

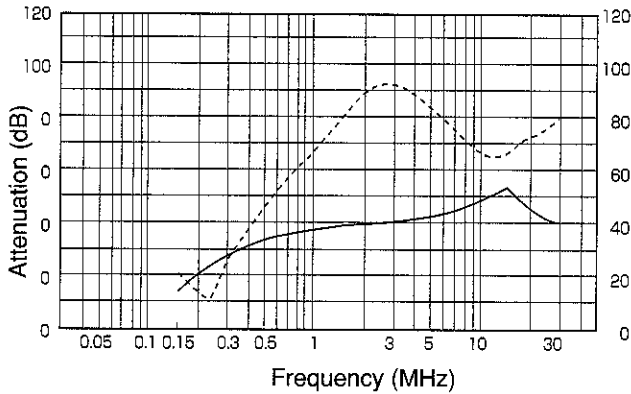
MBS-1310



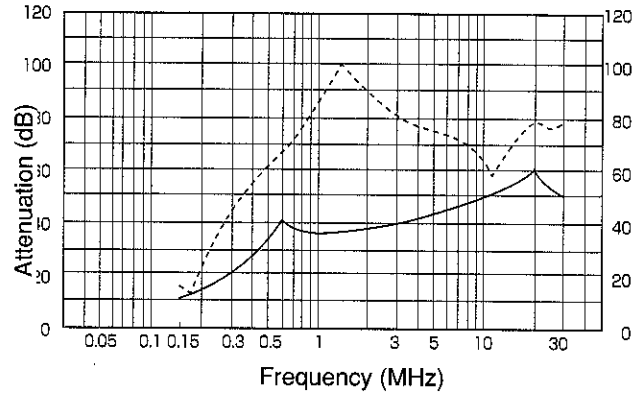
MBS-1320



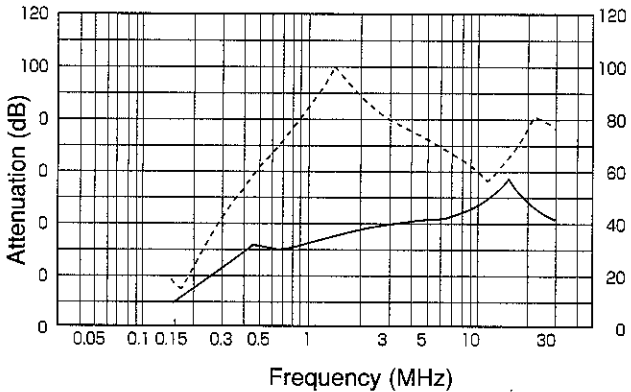
MBS-1330



MBS-1340



MBS-1350



Noise Filter

X-ON Electronics

Largest Supplier of Electrical and Electronic Components

Click to view similar products for [Power Line Filters](#) category:

Click to view products by [TDK-Lambda](#) manufacturer:

Other Similar products are found below :

[5B1](#) [6609019-3](#) [6609026-5](#) [6609030-6](#) [6609063-2](#) [6609973-2](#) [7-1609090-5](#) [F1500CA06](#) [F7382Z](#) [F7863Z](#) [FAHAV3100ZC000](#) [806276](#)
[FN2020B-1-06](#) [FN2080B-10-06](#) [FN2090A-1-06](#) [FN2410H-32-33](#) [FN2410H-80-34](#) [FN2412H-16-44](#) [FN420-1-13](#) [FP144](#) [8-6609089-0](#) [12-](#)
[MMB-030-11-D](#) [B84144A0050R120](#) [B84144A90R120](#) [20B1](#) [RSEL-2001A](#) [2B1](#) [LP183](#) [1-6609070-1](#) [F1500CA10](#) [1B1](#) [FN2020A-10-06](#)
[FN2020B-3-06](#) [FN2060A-3-06](#) [FN2070A-16-06](#) [FN2070B-16-08](#) [FN2090A-20-06](#) [FN2090B-12-06](#) [FN2090Z-1-06](#) [FN2410H-25-33](#)
[FN2410H-60-34](#) [FN2410H-8-44](#) [FN2412H-25-33](#) [FN2412H-8-44](#) [FN610R-3-06](#) [20EHZ7](#) [20K1](#) [30B6](#) [30BCF10R](#) [3K1](#)