

## M12 Actuator/Sensor Distribution Boxes

ASBS.../LED

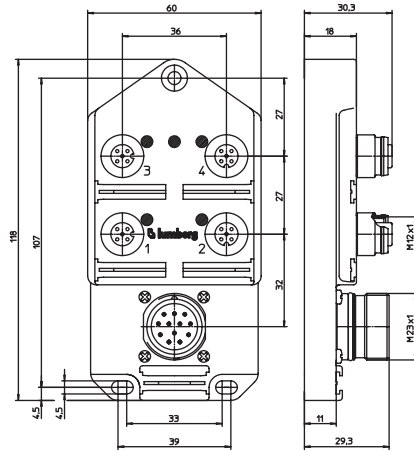


### 4-, 6- and 8-Ports (LED)

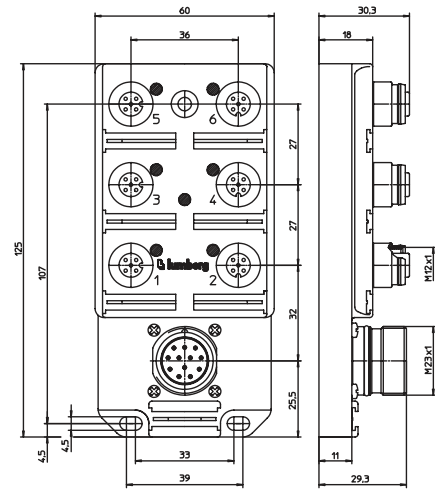
Pluggable actuator/sensor distribution box with LED operation and function indicators, 4-, 6-, and 8-ports, top-entry, M12 sockets, 4-poles, 1 signals per socket, with M23 quick-disconnect for the control cable.

– control cable type: 12P: RKU 12-256/...M or RKWU 12-256/...M –

#### 4-Ports



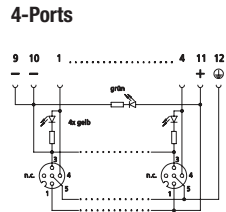
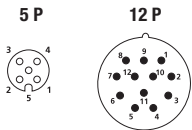
#### 6-Ports



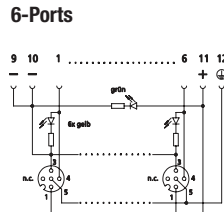
## Pin Assignments

M12 / M23

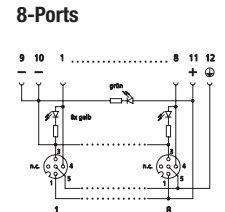
### Wiring Diagrams



- 1 = 11 (+)
- 2 = n.c.
- 3 = 9 (-)
- 4 = 1 (1)
- 2 (2)
- 3 (3)
- 4 (4)
- 5 (5)
- 6 (6)
- 5 = 12 (PE)



- 1 = 11 (+)
- 2 = n.c.
- 3 = 9 (-)
- 4 = 1 (1)
- 2 (2)
- 3 (3)
- 4 (4)
- 5 (5)
- 6 (6)
- 5 = 12 (PE)

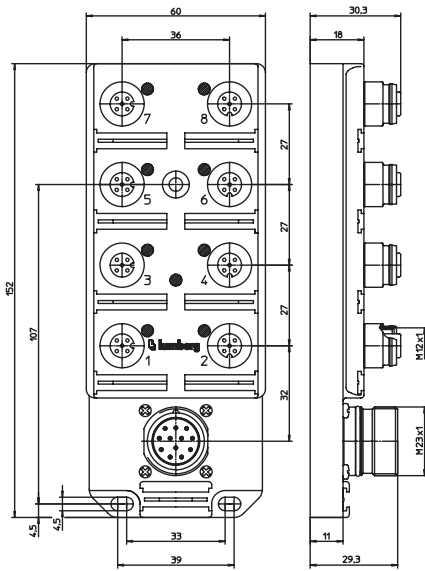


- 1 = 11 (+)
- 2 = n.c.
- 3 = 9 (-)
- 4 = 1 (1)
- 2 (2)
- 3 (3)
- 4 (4)
- 5 (5)
- 6 (6)
- 7 (7)
- 8 (8)
- 5 = 12 (PE)



**M12 Actuator/Sensor Distribution Boxes**  
 ASBS 4 5-4/LED | ASBS 6 5-4/LED | ASBS 8 5-4/LED

**8-Ports**



**Technical Data**

**Environmental**

Degree of protection IP 67 / NEMA 6P  
 Operating temperature range -15°C (+5°F) / +80°C (+176°F)

**Mechanical**

Housing TPU, self-extinguishing  
 Insert PA GF, self-extinguishing  
 Contact CuZn, pre-nickel and 0.8 microns gold-plated  
 Receptacle shell CuZn, nickel-plated  
 O-ring FKM

**Electrical**

Contact resistance ≤5mΩ  
 Voltage rating 10-30 V DC  
 Current rating 4 A per port / 12 A max. total  
 Insulation resistance > 10<sup>9</sup> Ω

**Accessories (included)**

ZVK 2 dust covers for unused sockets  
 ZBS 10 attachable labels

Part Number	Ports	Mating Control Cables	Characteristics
ASBS 4/LED 5-4	4	RKU 12-256/...M or RKWU 12-256/...M	
ASBS 6/LED 5-4	6	RKU 12-256/...M or RKWU 12-256/...M	
ASBS 8/LED 5-4	8	RKU 12-256/...M or RKWU 12-256/...M	

## X-ON Electronics

Largest Supplier of Electrical and Electronic Components

*Click to view similar products for [Fibre Optic Sensors](#) category:*

*Click to view products by [Lumberg](#) manufacturer:*

Other Similar products are found below :

[FX-501](#) [E32T12B2M](#) [BFX-D1-N](#) [BFX-D1-P](#) [NT-D35FZ](#) [NFT-310](#) [NFTE-310](#) [CN-14A-R-C2](#) [CN-73-C1](#) [ASBSV 8/LED 5](#) [AU-F03-PNP-NO](#) [LL3-TB01](#) [FD-31W](#) [FD-42G](#) [E32-D11L 2M](#) [E32-T11L 2M](#) [FS-04D-100](#) [FS-15T-100](#) [FX-101-CC2](#) [FX-101P](#) [FX-101P-CC2](#) [FX-101P-Z](#) [FX-102-CC2](#) [FD-31](#) [FD-62](#) [FX-502](#) [E3X-NA41 2M](#) [FT-F93](#) [FX-102P-CC2](#) [FX-502P](#) [FX-505P-C2](#) [CN-73-C2](#) [CN-24A-C5](#) [CN-24A-C2](#) [CN-14A-R-C5](#) [CN-14A-R-C1](#) [TEKT5400S](#) [FT-42](#) [FT-A11](#) [FX-301P](#) [HEDS-5540#A11](#) [SAIL-M8BW-4-10U](#) [YF2A15-100UB5XLEAX](#) [E32-T14L 2M](#) [LL3-DT01](#) [FD-S21](#) [FT-R43](#) [FX301](#) [FX311](#) [FX311P](#)