

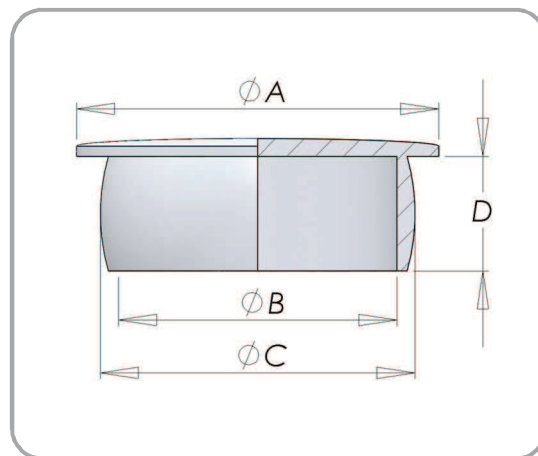
KSH – Protection Plugs With Circular Fit



Protection Plugs With Circular Fit

Protection plugs for threaded or non-threaded holes. The round shape of the plug ensures simple insertion and good sealing.

Material LDPE
Colour Translucent
Units mm



Article no.	Article name	Metric	A	B	C	D	Qty / carton	Qty / bag
420005-07	KSH 03		9.6	3.7	6.3	4.0	10 000	5 000
420010-07	KSH 02	8	11.2	5.2	7.2	5.5	10 000	5 000
420015-07	KSH 01	9	11.0	6.4	8.4	5.5	10 000	5 000
420020-07	KSH 1	10	14.4	7.0	9.2	5.5	10 000	5 000
420020-17	KSH 1A	12	14.4	8.2	10.1	5.5	10 000	5 000
420025-07	KSH 2	12	14.4	8.8	10.6	5.5	10 000	2 500
420025-17	KSH 2A	12	14.4	9.5	11.3	5.5	10 000	2 500
420025-27	KSH 2B	12	14.4	10.0	11.8	5.5	10 000	2 500
420030-07	KSH 3	14	18.7	10.4	12.3	7.0	10 000	2 500
420030-17	KSH 3A	14	18.7	11.1	13.0	7.0	10 000	2 500
420030-27	KSH 3A1	14	18.7	11.4	13.3	7.0	10 000	2 500
420030-37	KSH 3B	16	18.7	11.7	13.6	7.0	10 000	2 500
420030-47	KSH 3B1	16	18.7	12.1	14.0	7.0	10 000	2 500
420030-57	KSH 3C	16	18.7	12.3	14.4	7.0	10 000	2 500
420035-07	KSH 4	16	18.7	12.9	15.0	7.0	10 000	2 500
420040-07	KSH 5	18	18.7	13.8	15.8	7.0	10 000	2 500
420045-07	KSH 6	18	18.7	14.5	16.5	7.0	10 000	2 500
420045-17	KSH 6A	18	24.6	15.2	17.1	9.0	5 000	1 000
420045-27	KSH 6B	20	24.6	15.9	17.8	9.0	5 000	1 000
420050-07	KSH 7	20	24.6	16.5	18.5	9.0	5 000	1 000
420050-17	KSH 7A		24.6	16.8	18.9	9.0	5 000	1 000
420050-27	KSH 7B		24.6	17.5	19.2	3.8	5 000	1 000
420055-07	KSH 8	22	24.6	17.5	19.5	9.0	5 000	1 000
420055-17	KSH 8A	22	24.6	18.1	20.1	9.0	5 000	1 000
420060-07	KSH 9	22	24.6	18.4	20.7	9.0	5 000	1 000
420060-17	KSH 9A	24	24.6	19.0	21.2	9.0	5 000	1 000
420065-07	KSH 10	24	24.6	19.4	21.7	9.0	5 000	1 000
420070-07	KSH 11	24	24.6	20.2	22.4	9.0	5 000	1 000
420070-17	KSH 11A	24	28.5	20.8	23.0	9.0	5 000	1 000

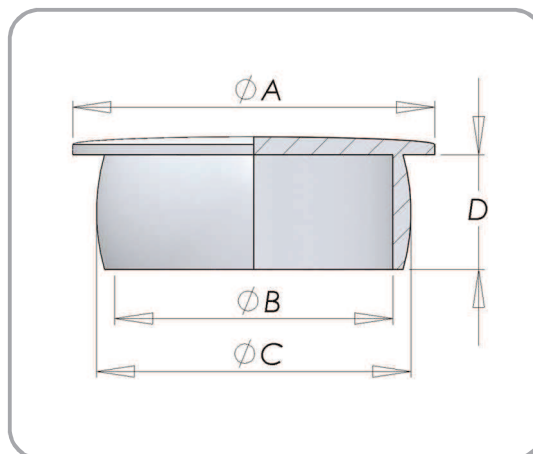
KSH – Protection Plugs With Circular Fit



Protection Plugs With Circular Fit

Protection plugs for threaded or non-threaded holes. The round shape of the plug ensures simple insertion and good sealing.

Material LDPE
Colour Translucent
Units mm



Article no.	Article name	Metric	A	B	C	D	Qty / carton	Qty / bag
420070-27	KSH 111		28.5	21.5	23.6	9.0	5 000	1 000
420070-37	KSH 112	27	28.5	21.9	24.0	9.0	5 000	1 000
420075-07	KSH 12	27	28.5	22.5	24.6	9.0	5 000	1 000
420080-07	KSH 13	27	28.5	23.4	25.5	9.0	5 000	1 000
420085-07	KSH 14		28.5	24.6	26.5	9.0	5 000	1 000
420085-17	KSH 141		34.8	24.8	27.0	12.0	2 500	1 000
420085-27	KSH 142	30	34.8	25.3	27.5	12.0	2 500	500
420090-07	KSH 151	30	34.8	26.6	28.8	12.0	2 500	500
420095-07	KSH 16		34.8	27.3	30.5	12.0	2 500	500
420100-05	KSH 17	36	34.8	28.6	31.7	12.0	2 500	500
420105-07	KSH 18	36	34.8	29.7	32.6	12.0	2 500	500
420110-07	KSH 19	39	40.4	31.6	34.6	12.0	2 000	500
420115-07	KSH 20	39	40.4	32.3	35.5	12.0	1 000	500
420120-07	KSH 21	39	40.4	33.6	36.7	12.0	1 000	500
420120-17	KSH 21A	39	40.4	33.6	36.7	8.0	1 000	250
420125-07	KSH 23	42	49.3	35.3	39.0	16.0	1 000	250
420130-07	KSH 25	45	49.3	37.0	40.7	16.0	1 000	250
420135-07	KSH 27	48	49.3	38.8	42.5	16.0	1 000	250
420140-07	KSH 32	48	58.7	41.9	46.2	18.0	500	250
420145-07	KSH 35	56	58.7	47.5	51.5	18.0	500	250
420150-07	KSH 362	60	58.7	49.2	54.1	18.0	500	250
420155-07	KSH 39	64	64.8	53.3	58.2	18.0	500	250
420160-07	KSH 40		73.5	54.5	59.6	18.0	500	250
420165-07	KSH 49	75	82.3	68.7	73.7	17.4	500	250
420170-07	KSH 54	80	92.5	75.8	80.8	17.4	500	250
420175-07	KSH 57	80	99.3	81.3	86.5	17.4	500	250
420180-07	KSH 64	100	112	93.5	98.8	17.4	500	250
420185-07	KSH 70	115	123	106.4	111.7	17.4	500	250

X-ON Electronics

Largest Supplier of Electrical and Electronic Components

Click to view similar products for [Mounting Fixings](#) category:

Click to view products by [Sundplast](#) manufacturer:

Other Similar products are found below :

[007310](#) [007541](#) [6-141-P](#) [620HA038NF09](#) [620HA038NF11](#) [71-074914-006](#) [71-146610-6H](#) [712HA170B23128-N](#) [71-441549-19S](#) [71-490451-4H](#) [75-69211-3P](#) [75-69220-27S](#) [75-69224-5S](#) [770-006A109](#) [770-006A109R](#) [770-006A207](#) [770-006A208W1](#) [770-006A209](#) [770-006A306](#) [770-006A703W1](#) [770-006A704](#) [770-006A704W1](#) [770-006A705](#) [770-006A706](#) [770-006A706W1](#) [770-006A707](#) [770-006A709](#) [770-007A203](#) [770-007A203W1](#) [770-007A204W1](#) [770-007A207W1](#) [770-007A703](#) [770-007A704W1](#) [770-007A706](#) [770-007A707W1](#) [770-010Y208](#) [770-010Y308](#) [770-010Y705](#) [770-010Y706](#) [770-010Y707W1](#) [770-011T201](#) [770-011T203](#) [770-011T701W1](#) [770-011T702](#) [770-011T702W1](#) [770-011T703](#) [770-013210W1](#) [770-013311](#) [770-013312](#) [770-013709](#)