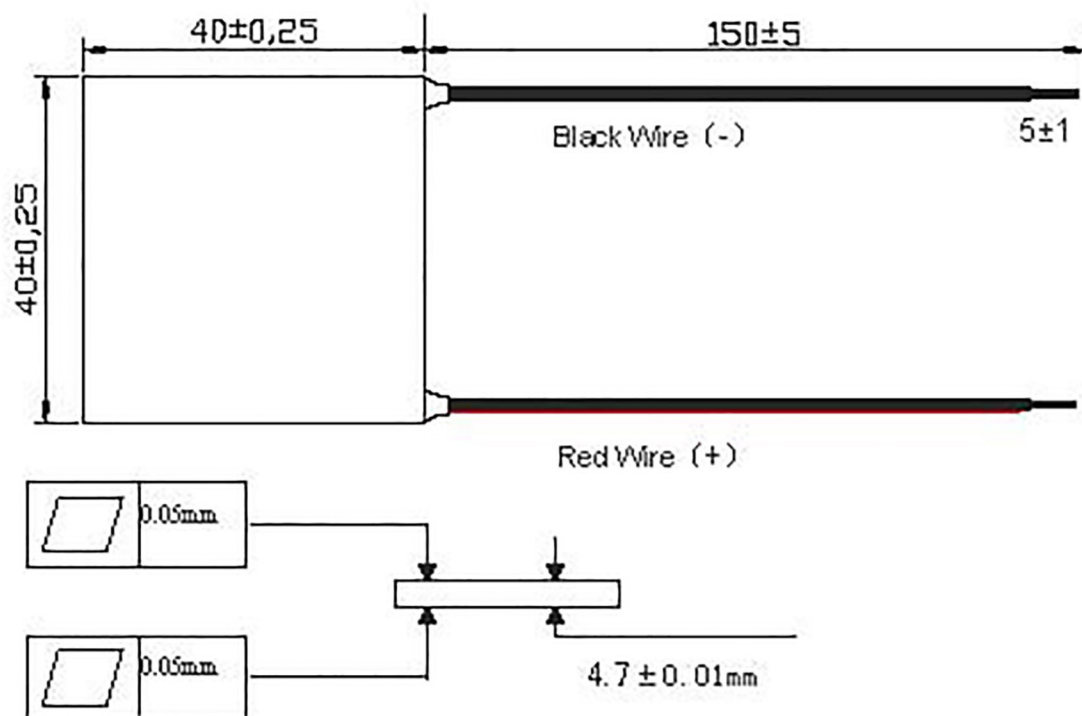


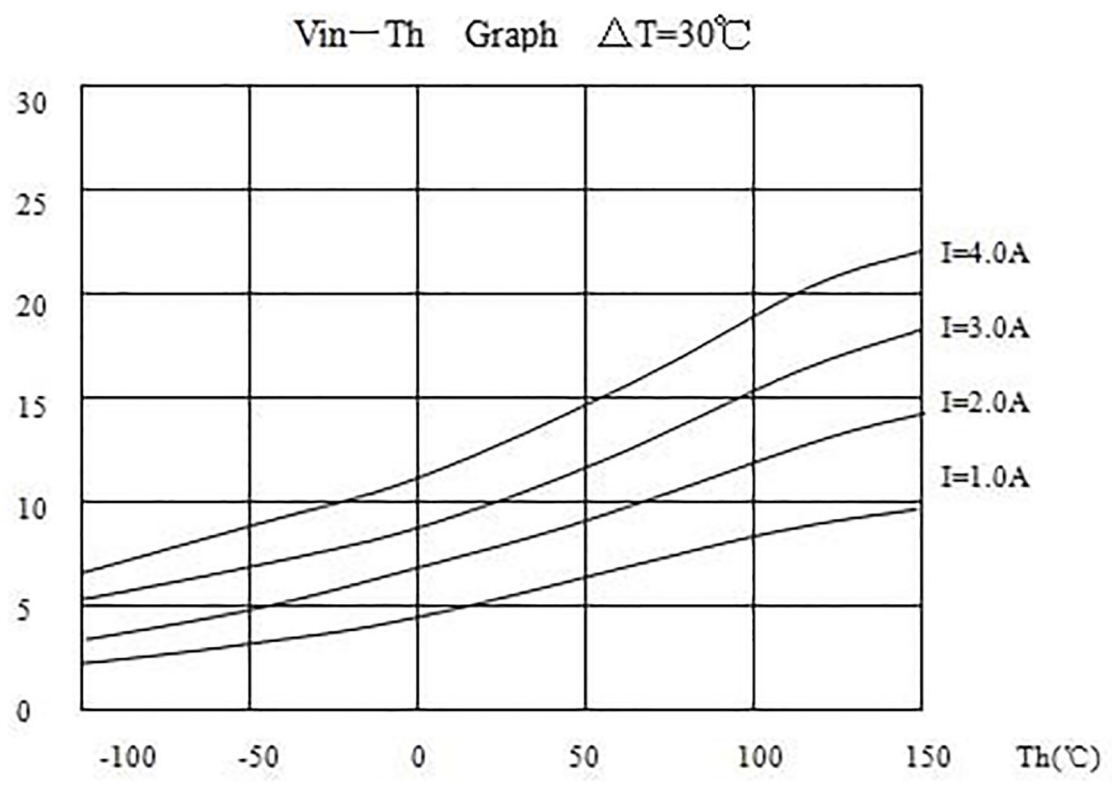
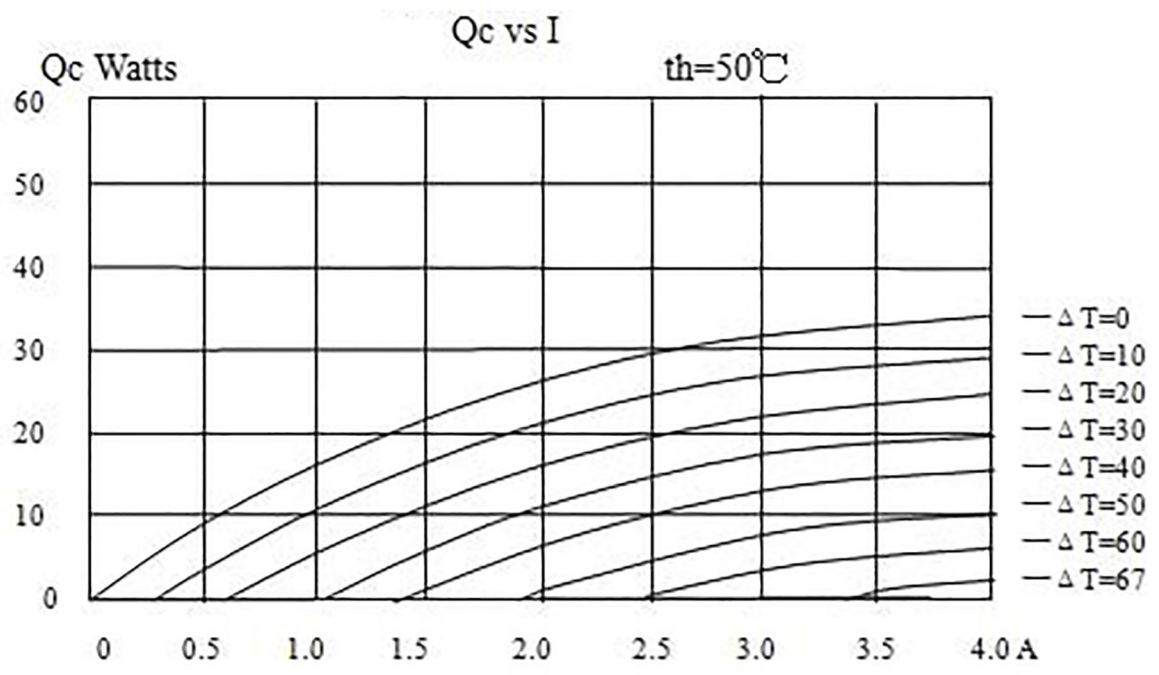
## Specification

|                                     |  |
|-------------------------------------|--|
| Item Number                         | PM-40X40-33.4  |
| Device Outline                      | See picture below  |
| Heat-shrink tube on the end of wire | Not available  |
| Wire Criteria                       | 1.20AWG UL 1674, PVC insulated<br>2.Standard 105°C tinned copper wire<br>3.General length:150±5mm<br>4.Length of tinning without outer sphere on the end of wire:5±1.0mm |
| Resistance(ohms)                    | Environment Temperature 20°C, 1KHZ, 2.85-3.15 (ohms)   |
| Packing                             | Foam box, each box 50pcs   |
| Printing                            | See picture below  |

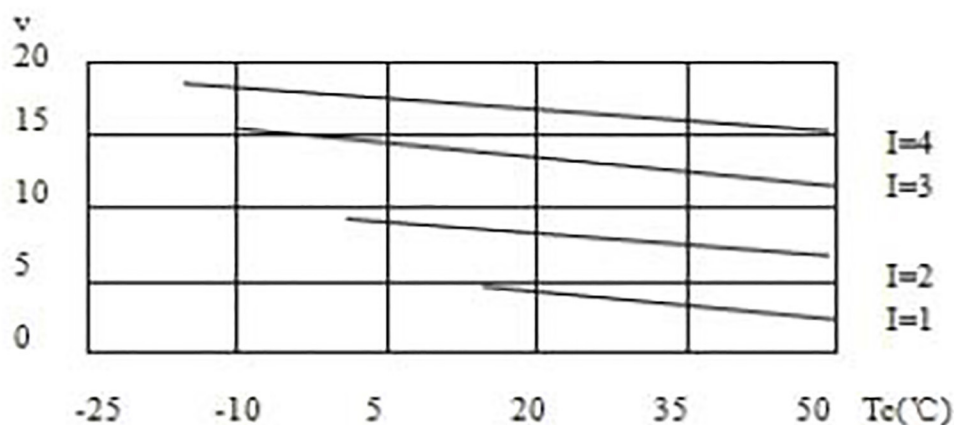


### Other Requirement:

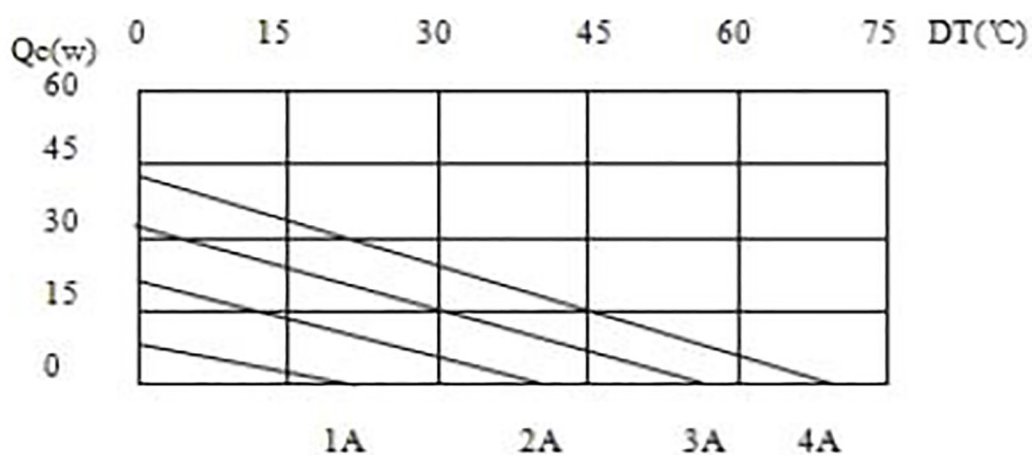
- 1.Working Temperature:  $-55^{\circ}\text{C}$  to  $+80^{\circ}\text{C}$
- 2.Assembled overwhelm force: 60lb/Sq.In.
- 3.P/N Couples:127 couples
- 4.I<sub>max</sub>  $4.0 \pm 0.5$  A (15.4VCD)
- 5.V<sub>max</sub> 15.4 VDC
- 6.Q<sub>max</sub>:33.4W (15.4VDO)
- 7.Resistance range:AC-R 2.85-3.15 Ω (Surrounding Temperature  $20^{\circ}\text{C}$  1KHZ)
- 8.ΔT<sub>max</sub>:≥66°C
- 9.Wire should be soldered on the hot side
- 10.20AWG UL 1674, PVC insulated, Standard 105°C tinned copper wire
- 11.Resistance will be changed according to environment, environment temperature increase or decrease  $1^{\circ}\text{C}$  crease or decrease 0.015

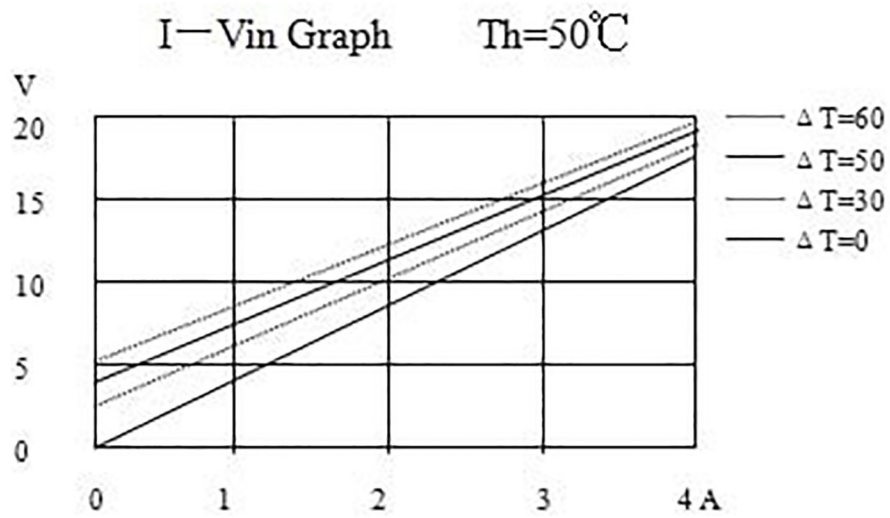


$V_{in} - I - TC$  Graph  $T_h = 50^\circ C$



$Q_c - I - DT$  Graph  $T_h = 50^\circ C$





## X-ON Electronics

Largest Supplier of Electrical and Electronic Components

*Click to view similar products for [Thermoelectric Assemblies](#) category:*

*Click to view products by [Stonecold](#) manufacturer:*

Other Similar products are found below :

[AA-150-48-44-LK-XX](#) [TEC1-07108](#) [TES1-12704](#) [TEC1-04908](#) [TEC1-06310](#) [TEC1-06315](#) [DA-044-12-02-00-00](#) [387000840](#) [DA-045-24-02-00-00](#) [387000866](#) [AA-040-12-22-00-00](#) [387000177](#) [387000913](#) [387000919](#) [TC-18-QC-50](#) [DA-051-24-02-00-00](#) [387000918](#) [387000910](#) [TC-WIRE3-PR-59](#) [WL 2000](#) [AA-150-24-44-00-XX](#) [DA-039-12-02-00-00](#) [AA-060-24-22-00-00](#) [DA-020-12-02-00-00](#) [AAC050-24-22-00-00](#) [TC-18-QE-50](#) [LA-115-24-02-00-00](#) [LA-045-12-02-00-00](#) [DA-160-24-02-00-00](#) [DA-108-24-02-00-00](#) [DA-045-12-02-00-00](#) [DA-024-12-02-00-00](#) [AA-060-12-22-00-00](#) [AA-033-12-22-00-00](#) [AA-019-12-22-00-00](#) [387000872](#) [387000176](#) [387002414](#) [AA-026-12-22-00-00](#) [AA-150-24-44-LK-XX](#) [AA-150-48-44-00-XX](#) [DA-033-12-02-00-00](#) [DA-075-12-02-00-00](#) [DL-120-24-00-00-00](#) [LAC-046-24-02-00-00](#) [L-ADAP-8-1/8](#) [LL-060-12-00-00-00](#) [SAA-170-24-22-00-00](#) [SDA-195-24-22-00-00](#) [TC-NTC-1](#)