

**ebm-papst St. Georgen GmbH & Co. KG**

Hermann-Papst-Str. 1

D-78112 St. Georgen

Phone +49 (0) 7724 81-0

Fax +49 (0) 7724 81-1309

info2@de.ebmpapst.com

www.ebmpapst.com

**Nominal data**

| Type                     | 7450 ES           |      |
|--------------------------|-------------------|------|
| Phase                    |                   | 1~   |
| Nominal voltage          | VAC               | 230  |
| Frequency                | Hz                | 50   |
| Speed                    | min <sup>-1</sup> | 2700 |
| Power input              | W                 | 47.0 |
| Min. ambient temperature | °C                | -25  |
| Max. ambient temperature | °C                | 60   |
| Air flow                 | m <sup>3</sup> /h | 380  |
| Sound power level        | B                 | 6.8  |
| Sound pressure level     | dB(A)             | 60   |

ml = Max. load · me = Max. efficiency · fa = Running at free air · cs = Customer specs · cu = Customer unit  
Subject to alterations

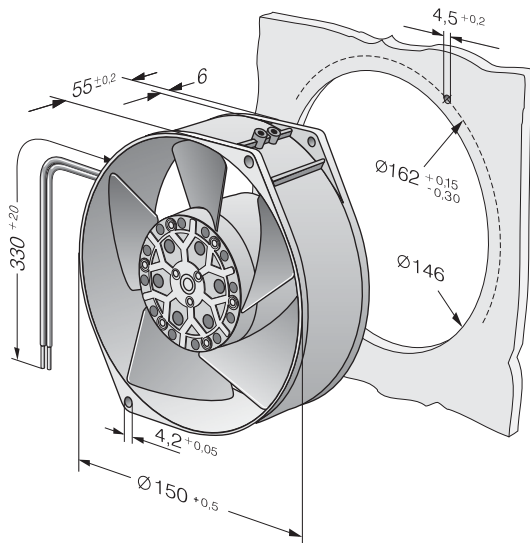


**Technical features**

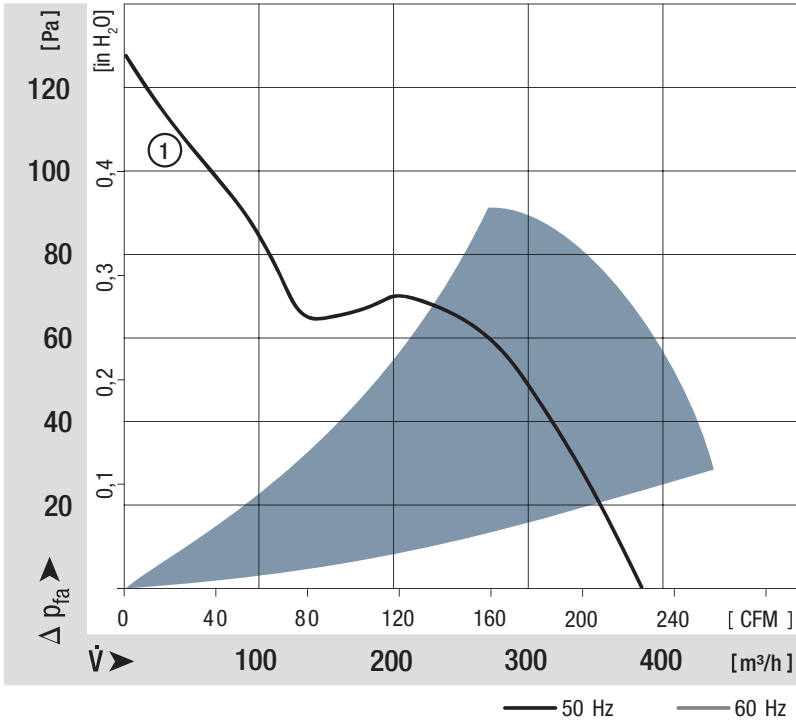
|  |  |
|--|--|
| <b>Mass</b>                                | 1.1 kg   |
| <b>Dimensions</b>                          | 150 Ø x 55 mm  |
| <b>Material of impeller</b>                | Sheet steel, coated in black   |
| <b>Housing material</b>                    | Die-cast aluminium   |
| <b>Direction of air flow</b>               | Über Stege saugend   |
| <b>Direction of rotation</b>               | Left, looking at rotor   |
| <b>Bearing</b>                             | Ball bearings  |
| <b>Lifetime L10 at 40 °C</b>               | 63000 h  |
| <b>Lifetime L10 at maximum temperature</b> | 50000 h  |
| <b>Connection line</b>                     | With 2 single strands.<br>Strand ends with lead tips.<br>Grounding lug for M4 x 8. |
| <b>Motor protection</b>                    | Protected from overload by a thermal switch  |
| <b>Approval</b>                            | VDE, CSA, UL, CE   |



## Product drawing



## Charts



## X-ON Electronics

Largest Supplier of Electrical and Electronic Components

*Click to view similar products for [AC Fans](#) category:*

*Click to view products by [ebm papst](#) manufacturer:*

Other Similar products are found below :

[M2E068-DF13-79](#) [F1238H24B-FHR](#) [8850A](#) [G9225S05B2-FSR](#) [A2D200-AA04-41](#) [A2E165-AA17-01](#) [R2D140-AB02-14](#) [R4D310-AS18-01](#)  
[R4D400-AD22-06](#) [R4E180-AS11-09](#) [AD0912HB-A7BGL](#) [1500-FAN-01](#) [25.001.1856.0](#) [25.320.1153.1](#) [25.320.1353.1](#) [25.320.4753.1](#)  
[25.320.5453.1](#) [25.330.1353.1](#) [25.330.4853.1](#) [25.330.5153.1](#) [25.330.5353.1](#) [25.340.1053.1](#) [25.350.5253.0](#) [25.600.4053.0](#) [272DL-2LP11-000](#)  
[S2E250-AL06-70](#) [A2D210-AB10-05](#) [A2D240-AA02-02](#) [A2D250-AE22-06](#) [A2E170-AF23-01](#) [F1238S24BT-FSR](#) [25.000.1856.0](#)  
[25.000.2056.0](#) [25.010.1856.0](#) [25.220.3953.1](#) [25.332.2453.1](#) [25.340.0453.1](#) [25.345.5353.0](#) [25.352.1853.0](#) [281DS-2LP11-000B](#) [281DY-](#)  
[1LP14-000B](#) [298DM-2LP11-000](#) [298DS-2LP11-000A](#) [R2S150-AD08-09](#) [344DY-1LP11-000](#) [D2E146-CD51-09](#) [39.703.0253.0](#)  
[USTF1203224VHW](#) [3915100996-SA3](#) [3G2C7MC224](#)