

**MICRO SWITCH**  
a Honeywell Division

FED. MFG. CODE 91929

**SWITCH-ENCLOSED**

CATALOG LISTING  
**424HE24-RB**  
CUSTOMER PART NO.  
**1159SCAV513-1**

CATALOG LISTING  
**424HE24-RB**

PAGE 1 OF 1

RELEASE NO. PR-21452 REPLACES

ISSUE  
**M**  
5

REVISIONS

A	CO-1	81044A	S A V	31 JUL 95
B	C093183	J A S	12 JUN 98	
C	204664	G J W	08 JAN 02	
D	ECO	0051997	MBN	04MAY09

CHECK

CHECK

CHECK

CHECK

CHECK

CHECK

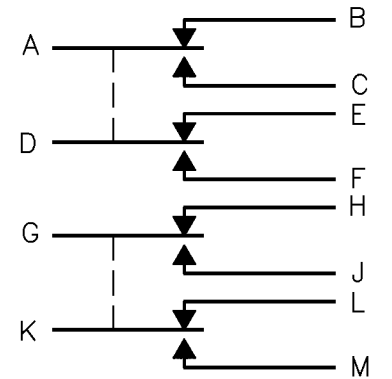
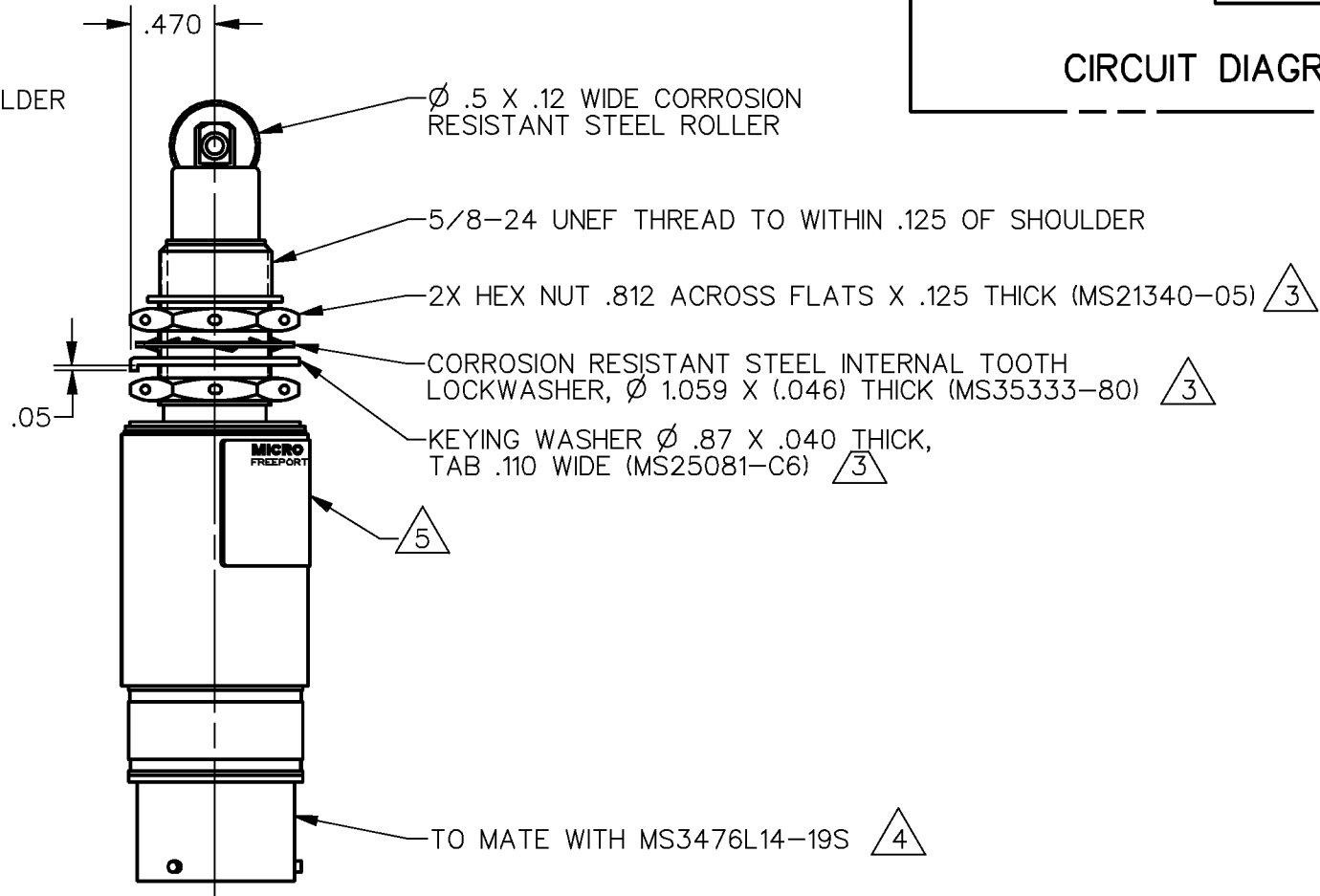
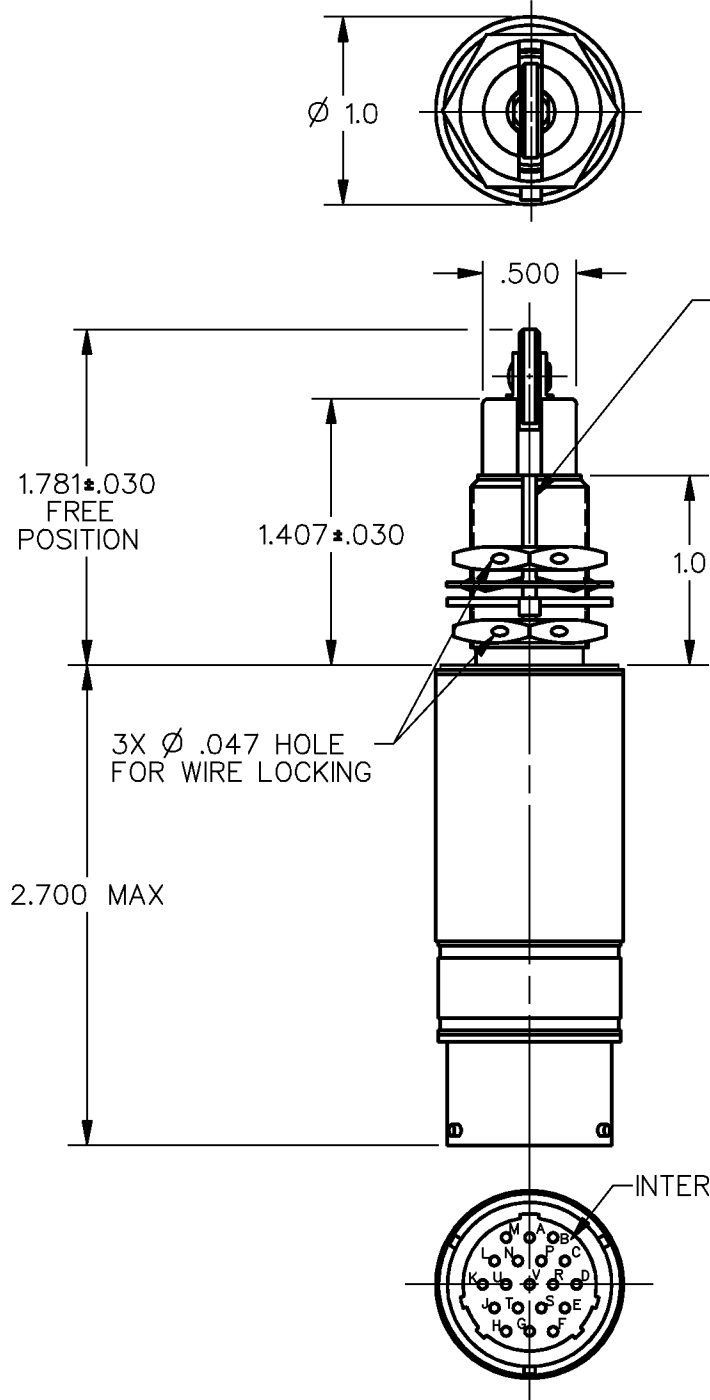
CHECK

CHECK

CHECK

CHECK

CHECK



**CIRCUIT DIAGRAM**

- NOTES
- 1 - CORROSION RESISTANT STEEL ENCLOSURE
  - 2 - SWITCH SEALED PER MIL-PRF-8805 SYMBOL 5
  - (3) HARDWARE MAY BE PACKAGED UNASSEMBLED PER MIL-PRF-8805
  - (4) CONNECTOR ELECTRONICALLY BONDED TO HOUSING
  - (5) IN ADDITION TO STANDARD MARKING, CUSTOMER PART NUMBER AND CURRENT CUSTOMER DRAWING REVISION LEVEL IS MARKED ON THE SWITCH NAME PLATE IF APPLICABLE
  - 6 - COINCIDENCE OF OPERATING AND RELEASING POINTS: .010 INCH OF PLUNGER TRAVEL
  - (7) GOLD PLATED SILVER CONTACT BASIC SWITCHES

THIS DRAWING COVERS A PROPRIETARY ITEM AND IS THE PROPERTY OF MICRO SWITCH, A DIVISION OF HONEYWELL. THIS DRAWING IS NOT TO BE COPIED OR USED WITHOUT THE APPROVAL OF MICRO SWITCH

THIRD ANGLE PROJECTION

CHARACTERISTICS	
OPERATING FORCE	6 -12 LB
FULL OVERTRAVEL FORCE	30 LB MAX
RELEASE FORCE	4 LB MIN
PRETRAVEL	.040 MAX
DIFFERENTIAL TRAVEL	.020 MAX
OVERTRAVEL	.250 MIN

ELECTRICAL DATA		
CONTACT ARRANGEMENT		
4X S P D T (7)		
28 VDC		
LOAD	SEA LEVEL	100,000 FT
RES	7	7
IND	4	4
MOTOR	4	4

SCALE	NONE
DO NOT SCALE PRINT	
UNLESS OTHERWISE SPECIFIED TOLERANCES ARE	
ONE PLACE	(.0) ± .030
TWO PLACE	(.00) ± .015
THREE PLACE	(.000) ± .005
ANGLES	±
WEIGHT	.46 LBS MAX

ANSI Y14.5M-1982 APPLIES

RASTER  
DRAWN

LJF 10 FEB 95

## X-ON Electronics

Largest Supplier of Electrical and Electronic Components

*Click to view similar products for [Basic / Snap Action Switches](#) category:*

*Click to view products by [Honeywell](#) manufacturer:*

Other Similar products are found below :

[83228001](#) [01.098.1358.1](#) [602EN1-6B](#) [602EN532](#) [602EN535-RB](#) [602HE5-RB1](#) [604HE162](#) [604HE223-6B](#) [624HE17-RB](#) [6HM89](#) [6PA78-JM](#)  
[6SE1](#) [6SX1-H58](#) [70500840](#) [MBD5B1](#) [MBH2731](#) [73-316-0012](#) [79211759](#) [79211923](#) [79218589](#) [7AS12](#) [ML-1155](#) [ML-1376](#) [831010C3.0](#)  
[831060C3.TL](#) [831090C2.EL](#) [83131904](#) [84212012](#) [8AS239](#) [8HM73-3](#) [903VB1-PG](#) [914CE1-6G](#) [PL-100](#) [11SM1077-H4](#) [11SM1077-H58](#)  
[11SM1-TN107](#) [11SM405](#) [11SM703-T](#) [11SM8423-H2](#) [11SX37-T](#) [11SX48-H58](#) [11SX55-H58](#) [11SM2442-T](#) [11SM76-T](#) [11SM77-H58](#)  
[11SM77-T](#) [11SM863-T](#) [11SM866](#) [11SX47-H58](#) [A7CN-1M-1-LEFT](#)