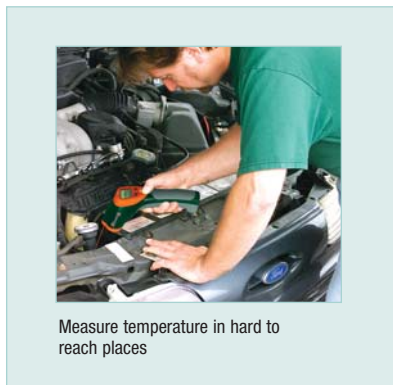
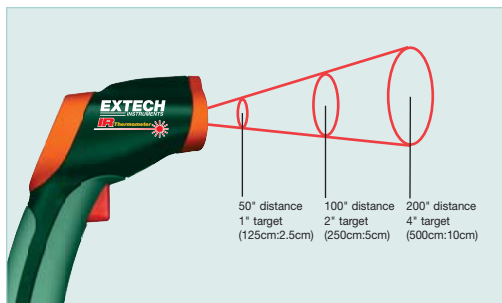


High Temperature IR Thermometer

✓ **Measures up to 1832°F with 50 to 1 distance to target ratio**
With laser pointer to identify target area

Features:

- ✓ Highest 50 to 1 distance to target ratio measures smaller surface areas at greater distances
- ✓ Widest Temperature range from -58 to 1832°F (-50 to 1000°C)
- ✓ Adjustable high/low alarm alerts user visually and audibly when temperature exceeds programmed limits
- ✓ Adjustable emissivity for better accuracy on different surfaces
- ✓ MIN/MAX/AVG/DIF features display highest, lowest, average, and MAX minus MIN values
- Large backlit display for taking measurements at night or in areas with low background light levels
- High resolution of 0.1° up to 199.9°
- Automatic Data Hold
- Auto power off
- Complete with 9V battery and hard carrying case



Specifications	
Range:	-58 to 1832°F (-50 to 1000°C)
Basic Accuracy:	±2% of rdg +4°F/ 2°C
Max. Resolution:	0.1°F/°C
Emissivity:	Adjustable
Field of View (Distance to Target):	50:1
Dimensions:	3.9 x 2.2 x 9" (100 x 56 x 230mm)
Weight:	10.2oz (290g)

Ordering Information:

42545.....High Temperature IR Thermometer
42545-NIST42545 with NIST Certificate



X-ON Electronics

Largest Supplier of Electrical and Electronic Components

Click to view similar products for [Environmental Test Equipment](#) category:

Click to view products by [Extech](#) manufacturer:

Other Similar products are found below :

[CW40](#) [F150C10E3DRT](#) [F150LTC20](#) [F150CD10E2](#) [F150L75](#) [F150LRS](#) [S-11](#) [FLUKE-LDG](#) [382153](#) [FM100](#) [RH210](#) [382253](#) [MO290-P](#)
[GEO-CABLE-REEL-50M](#) [T197914](#) [RD300-L](#) [IR11BD](#) [IR11GM](#) [IR12GM](#) [IR21BD](#) [IR31CE](#) [IR32BC](#) [IR33BC](#) [MP7217TC](#) [NGM-1](#) [SGX-](#)
[7NH3](#) [UT381](#) [F150-SLC50](#) [AW-CO-1000](#) [AW-NmHc-100](#) [3.000.401](#) [AX-7535](#) [CS-9S6SS-A](#) [P 2800 A](#) [P 2801](#) [P 2802](#) [P 5039](#) [P 5130](#) [P](#)
[5055](#) [P 5060](#) [P 5065](#) [P 5086](#) [P 5090](#) [P 5110](#) [P 5115](#) [P 5135](#) [P 5140](#) [P 5145](#) [P 5150](#) [P 5160](#)