

MICRO SWITCH
a Honeywell Division

FED. MFG. CODE 91929

SWITCH-ENCLOSED

CATALOG LISTING
42EN3-3

CATALOG LISTING
42EN3-3

ISSUE
5

RELEASE NO. PR-13926-T REPLACES

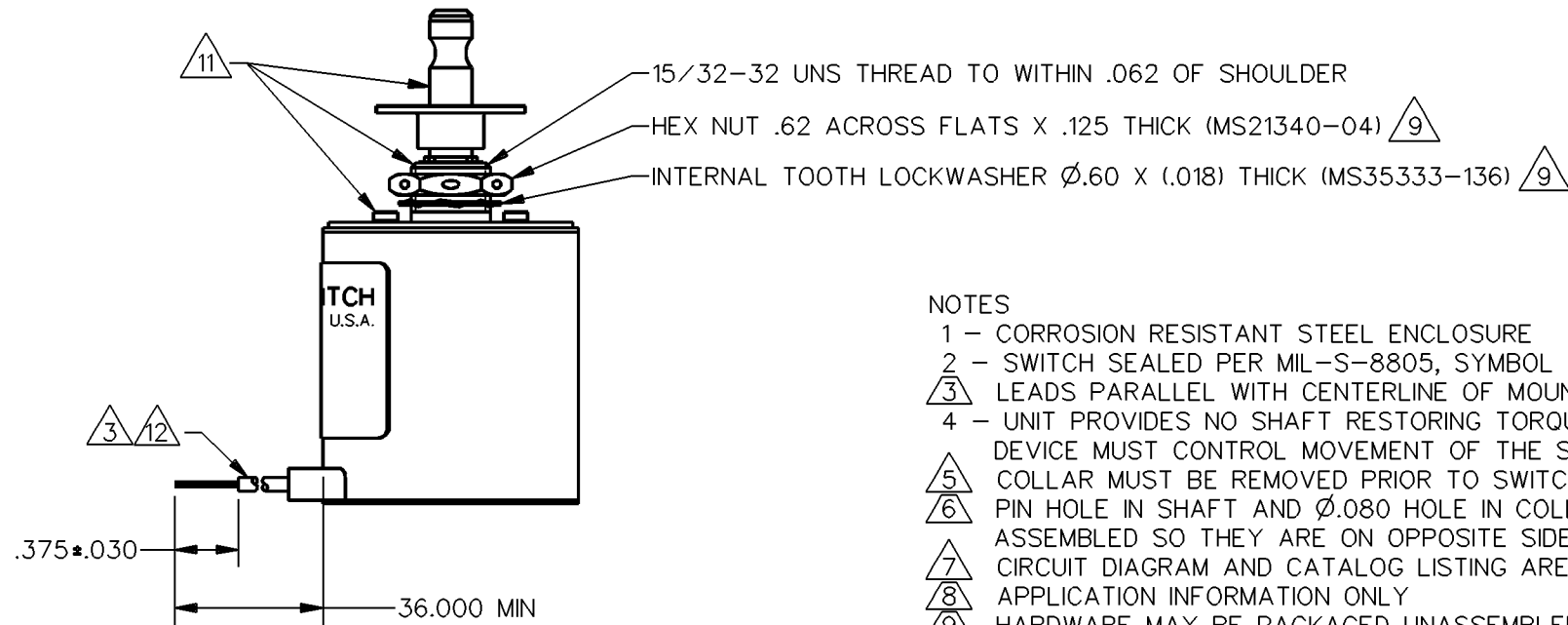
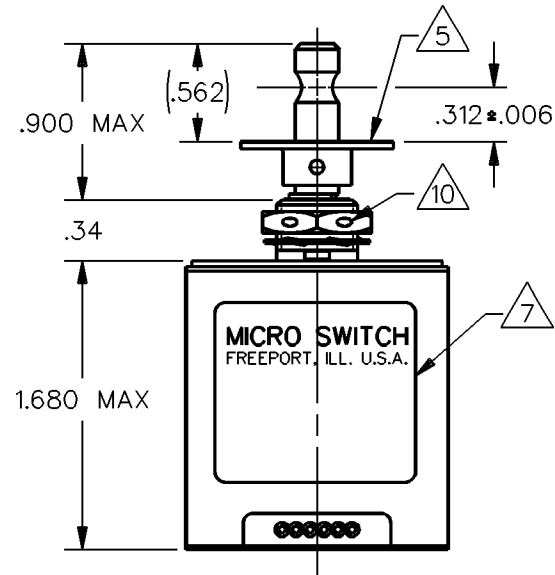
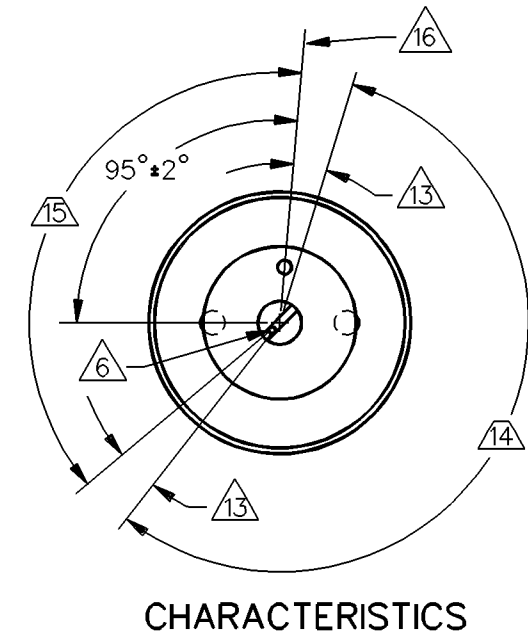
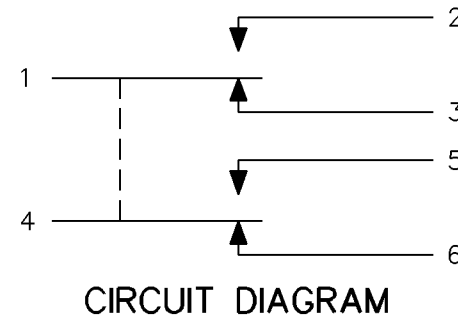
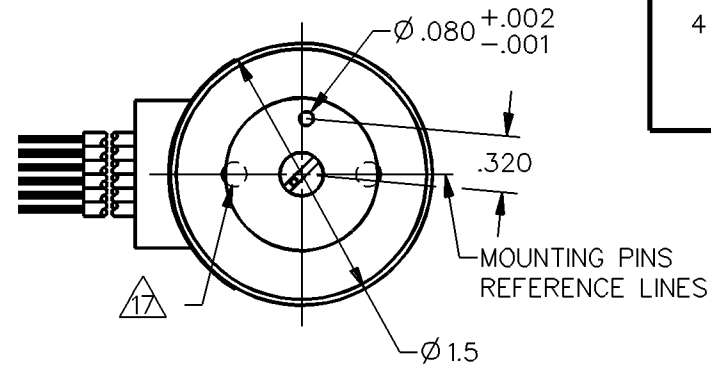
CHECK

CHECK

CHECK

DRAWN
S A V 4 OCT 93

REVISIONS
A 1 CO-1
S A V 75668-B
4 OCT 93

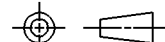


NOTES

- 1 - CORROSION RESISTANT STEEL ENCLOSURE
- 2 - SWITCH SEALED PER MIL-S-8805, SYMBOL 4
- 3 - LEADS PARALLEL WITH CENTERLINE OF MOUNTING PINS WITH ±5°
- 4 - UNIT PROVIDES NO SHAFT RESTORING TORQUE. THE ACTUATING DEVICE MUST CONTROL MOVEMENT OF THE SHAFT
- 5 - COLLAR MUST BE REMOVED PRIOR TO SWITCH INSTALLATION
- 6 - PIN HOLE IN SHAFT AND Ø.080 HOLE IN COLLAR MUST BE ASSEMBLED SO THEY ARE ON OPPOSITE SIDES ON MOUNTING REFERENCE LINE
- 7 - CIRCUIT DIAGRAM AND CATALOG LISTING ARE SHOWN ON LABEL
- 8 - APPLICATION INFORMATION ONLY
- 9 - HARDWARE MAY BE PACKAGED UNASSEMBLED PER MIL-S-8805
- 10 - 3X Ø.047 HOLE FOR WIRE LOCKING
- 11 - CORROSION RESISTANT STEEL SHAFT, PINS AND BUSHING
- 12 - 6X NO.18 WIRE LEAD PER MIL-W-22759/7 MARKED WITH CIRCUIT IDENTIFICATION AND WIRE GAGE (1-18, 2-18, ETC) PER MIL-W-5088
- 13 - 12° MAX DIFFERENTIAL TRAVEL
- 14 - (201°) CIRCUITS MADE: 1-2 AND 4-5
- 15 - 135° ± 15° CIRCUITS MADE: 1-3 AND 4-6 (FREE POSITION)
- 16 - OPERATING POSITION REFERENCE LINE
- 17 - 2X Ø.140 X .062 HIGH PINS LOCATED ON Ø.765 CENTER

THIS DRAWING COVERS A PROPRIETARY ITEM AND IS THE PROPERTY OF MICRO SWITCH, A DIVISION OF HONEYWELL. THIS DRAWING IS NOT TO BE COPIED OR USED WITHOUT THE APPROVAL OF MICRO SWITCH

THIRD ANGLE PROJECTION



CHARACTERISTICS	
OPERATING TORQUE	5 IN-LB MAX
PRETRAVEL	SEE CHARACTERISTIC DETAIL
DIFFERENTIAL TRAVEL	
OVERTRAVEL	
FREE POSITION	

ELECTRICAL DATA		
CONTACT ARRANGEMENT (SEE CIRCUIT DIAGRAM)		
LOAD	28 VDC	
	SEA LEVEL	50,000 FT
RES	10	10
IND	6	3
MOTOR	6	6 (8)
LAMP	3.6	3.6

SCALE FULL	
DO NOT SCALE PRINT	
UNLESS OTHERWISE SPECIFIED TOLERANCES ARE	
ONE PLACE (.0)	±.030
TWO PLACE (.00)	±.015
THREE PLACE (.000)	±.005
ANGLES	±
WEIGHT	.75 LB

ANSI Y14.5M-1982 APPLIES

X-ON Electronics

Largest Supplier of Electrical and Electronic Components

Click to view similar products for [Basic / Snap Action Switches](#) category:

Click to view products by [Honeywell](#) manufacturer:

Other Similar products are found below :

[83228001](#) [01.098.1358.1](#) [602EN1-6B](#) [602EN532](#) [602EN535-RB](#) [602HE5-RB1](#) [604HE162](#) [604HE223-6B](#) [624HE17-RB](#) [6HM89](#) [6PA78-JM](#)
[6SE1](#) [6SX1-H58](#) [70500840](#) [MBD5B1](#) [MBH2731](#) [73-316-0012](#) [79211759](#) [79211923](#) [79218589](#) [7AS12](#) [ML-1155](#) [ML-1376](#) [831010C3.0](#)
[831060C3.TL](#) [831090C2.EL](#) [83131904](#) [84212012](#) [8AS239](#) [8HM73-3](#) [903VB1-PG](#) [914CE1-6G](#) [PL-100](#) [11SM1077-H4](#) [11SM1077-H58](#)
[11SM1-TN107](#) [11SM405](#) [11SM703-T](#) [11SM8423-H2](#) [11SX37-T](#) [11SX48-H58](#) [11SX55-H58](#) [11SM2442-T](#) [11SM76-T](#) [11SM77-H58](#)
[11SM77-T](#) [11SM863-T](#) [11SM866](#) [11SX47-H58](#) [A7CN-1M-1-LEFT](#)