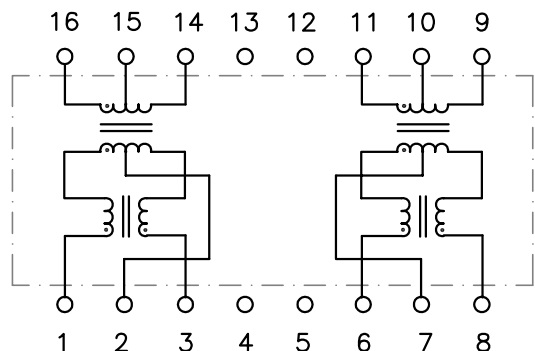


PART NO. : TG110-ESV01N6RL



16PIN FAST ETHERNET ISOLATION MODULE
 RoHS COMPLIANT
 COMPATIBLE TO LEAD-FREE SOLDERING PROCESS
 CONDITION PER IPC/JEDEC J-STD-020C
 UL/EU60950 AND DEMKO RECOGNIZED
 ENHANCED SHOCK/VIBRATION PERFORMANCE
 EXTENDED OPERATING TEMPERATURE -40/+85°C
 STORAGE TEMPERATURE -57/+125°C



ELECTRICAL SPECIFICATIONS @25° C

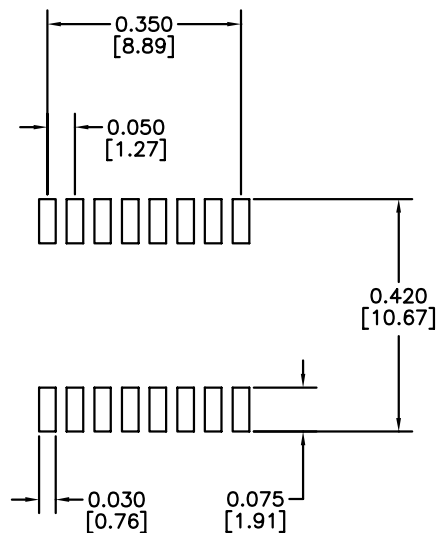
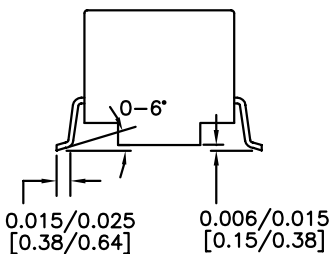
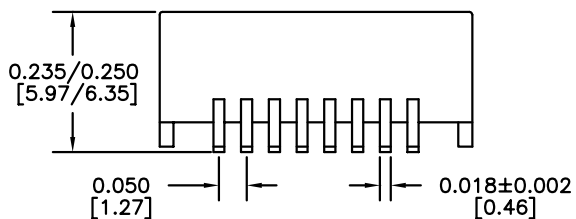
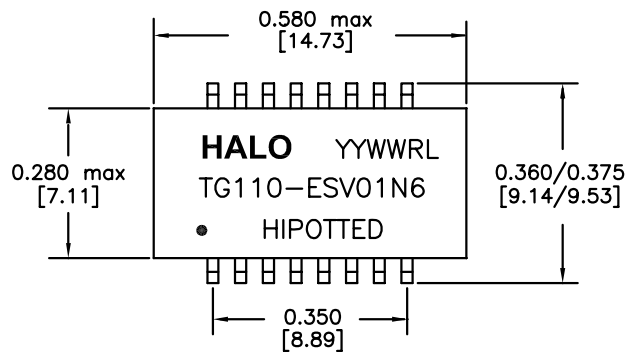
TURNS RATIO P1-3:P16-14 P6-8:P11-9 OCL (100KHz,0.1Vrms,8mA) P16-14,P11-9 DCR P16-14,P11-9 LL P16-14,P11-9 Cw/w INSERTION LOSS 0.1-100MHz RETURN LOSS 0.5-30MHz 40MHz 50MHz 60-80MHz TYPICAL CROSSTALK 0.1-100MHz TYPICAL CMR 0.1-30MHz 40-100MHz ISOLATION	1CT:1CT ±3% 1CT:1CT ±3% 350µH min* 1.0Ω max 0.4µH max 40pF max -1.1dB max -18dB min -15.5dB min -13.6dB min -12dB min -40dB min -60dB min -50dB min 1,500Vrms
--	---

* MINIMUM OCL OVER OPERATING TEMPERATURE



HALO/PBL	TITLE ISOLATION MODULE		SIGNATURES		DATE	REV.	DESC.	DATE
	FOR FAST ETHERNET		DRAWN	PETER LU	11/5/04	A	FIRST ISSUE	11/5/04
	PART NO. TG110-ESV01N6RL		CHECKED	LEI KEONG	1/31/08	B	PROD. RELEASE	1/31/08
	SCALE NONE	PAGE 1 OF 2	APPROVED	PETER LU	1/31/08			
		FILE	ESV01N6RL.DWG					

CALIFORNIA, USA
 KOWLOON, HONG KONG
 SINGAPORE



CO-PLANARITY: 0.004 [0.10]
 DIMENSIONS: Inch [mm]
 TOLERANCES: ±0.005 INCH IF NOT SPECIFIED

RECOMMENDED SOLDER PAD DIMENSIONS

HALO/PBL

CALIFORNIA, USA
 KOWLOON, HONG KONG
 SINGAPORE

TITLE	ISOLATION MODULE		SIGNATURES	DATE	REV.	DESC.	DATE
FOR	FAST ETHERNET		DRAWN	PETER LU	11/5/04	A	FIRST ISSUE
PART NO.	TG110-ESV01N6RL		CHECKED	LEI KEONG	1/31/08	B	PROD. RELEASE
SCALE	NONE	PAGE	2 OF 2	APPROVED	PETER LU	1/31/08	
				FILE	ESV01N6RL.DWG		

X-ON Electronics

Largest Supplier of Electrical and Electronic Components

Click to view similar products for [Audio Transformers](#) / [Signal Transformers](#) category:

Click to view products by [HALO](#) manufacturer:

Other Similar products are found below :

[749023020](#) [CU4S0506AT-2655-H1](#) [MET-58](#) [PE-64961](#) [H5008FNL](#) [H5020FNLT](#) [H5079NLT](#) [1879479-1](#) [1879564-1](#) [PA1277NLT](#)
[PA1528ANL](#) [PA2007NLT](#) [FL1066](#) [T1137NLT](#) [T3012NL](#) [PE-65812FNL](#) [TTC-100](#) [TTC-143-H](#) [TTC-5032-1](#) [HX1234NLT](#) [HX5008FNLT](#)
[100B-1001XNL](#) [PA1282NLT](#) [HX5084FNL](#) [T1108NLT](#) [2-1879391-5](#) [TTC-266-2](#) [3-1879385-4](#) [PA1032NL](#) [H2009FNLT](#) [PA0801NLT](#)
[TTC-266](#) [X-1619](#) [SM51295PEL](#) [T5008NLT](#) [PE-68517T](#) [HX1294NLT](#) [HX5084FNLT](#) [H5015FNLT](#) [H6080NLT](#) [CX2024NL](#) [HX1294FNLT](#)
[TX1473NLT](#) [PE-69011NLT](#) [CX2047LNLT](#) [CX2043LNLT](#) [DCT20EFD-U32S003](#) [H5120NLT](#) [H7137FNLT](#) [H1259NLT](#)