

Rev	AWO #	Description	Date	Appr
-		RELEASED	9/19/12	

6

5

4

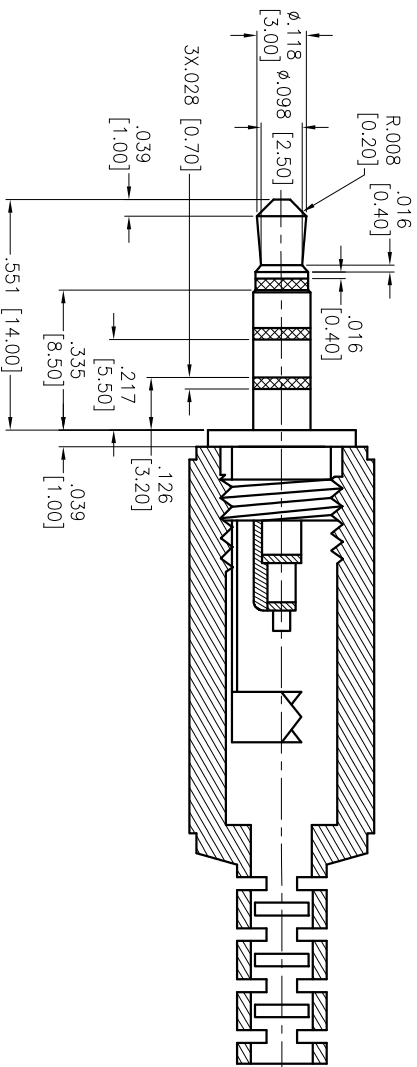
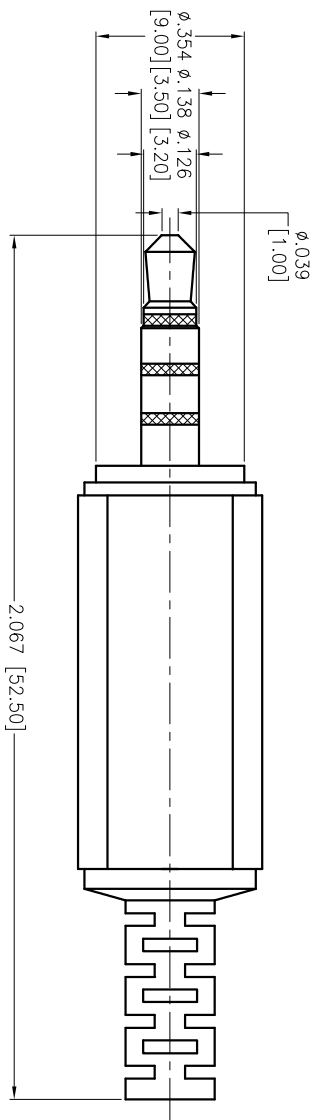
3

2

1

APPROVED: _____

DATE: _____ TITLE: _____



SPECIFICATIONS:

Material:
 Insulator: ABS, Color: Black
 Plastic Cover: PVC, Color: Black
 Ring: Brass, Nickel plated
 Sleeve: Brass, Nickel plated
 Terminal: Brass, Nickel plated
 Contacts Head: Brass, Nickel plated

Electrical:
 Contact Resistance: 30m Ohms max
 Insulation Resistance: 100m Ohms min @ dc 500V
 Dielectric Withstanding Voltage: AC 500V for 1 min.
 Environmental:
 Lead free, RoHS compliant.

ADAM TECH

909 Ratway Avenue, Union, NJ 07083
 Phone: 908-687-5000 Fax: 908-687-5710

3.5MM STEREO AUDIO PLUG, 3 CHANNEL

APPROVALS		DATE	TITLE
DRAWN	AY	9/19/12	3.5MM STEREO AUDIO PLUG, 3 CHANNEL
CHECKED	AL	9/19/12	
APPROVED			

UNLESS OTHERWISE SPECIFIED
 ALL DIMENSIONS ARE INCHES [MM]
 TOLERANCES: EXCEPT AS NOTED
 INCHES HOLES
 .X ± .10 Ø.X ± .10
 .XX ± .020 Ø.XXX ± .015
 .XXX ± .015 Ø.XXXX ± .010

SIZE	PART NO.	REV.
X	ASP-3.5-S3-52.5-SR	-

REF: S00062T SCALE: NTS SHEET 1 OF 1



6

5

4

3

2

1

X-ON Electronics

Largest Supplier of Electrical and Electronic Components

Click to view similar products for [DC Power Connectors](#) category:

Click to view products by [Adam](#) manufacturer:

Other Similar products are found below :

[1600206-1](#) [163-0301-EX](#) [163-0302](#) [163-0308-EX](#) [163-0310-EX](#) [163-1061-EX](#) [163-1100-EX](#) [163-4024](#) [163-4117-EX](#) [163-4118-EX](#) [163-5005-E](#) [163-7421](#) [163-MJ22-EX](#) [171-0721-EX](#) [171-0725-EX](#) [171-3118-EX](#) [171-3210-E](#) [171-3221-EX](#) [171-3222-EX](#) [171-A1326-EX](#) [173-23507-ST-EX](#) [173-5521TIP-EX](#) [173-6330TIP-EX](#) [KLDVX-SMT-02-ATR](#) [KLDX-0201-AHT-1](#) [KLDX-0202-AHT](#) [KLDX-SMT-0202-BP](#) [KLDX-SMT-0202-BPTR](#) [163-0179-EX](#) [163-0307-E](#) [163-0309-EX](#) [163-4007-EX](#) [163-4015-EX](#) [163-4025](#) [163-4119-E](#) [163-4303-E](#) [16PJ101-EX](#) [171-0702-EX](#) [171-0722-E](#) [171-0726-EX](#) [171-2122-EX](#) [171-3216-EX](#) [171-3218-EX](#) [171-3219-EX](#) [171-3220-EX](#) [171-7391](#) [173-3413-ST-EX](#) [173-4017-ST-EX](#) [RAPCBRK](#) [K596](#)