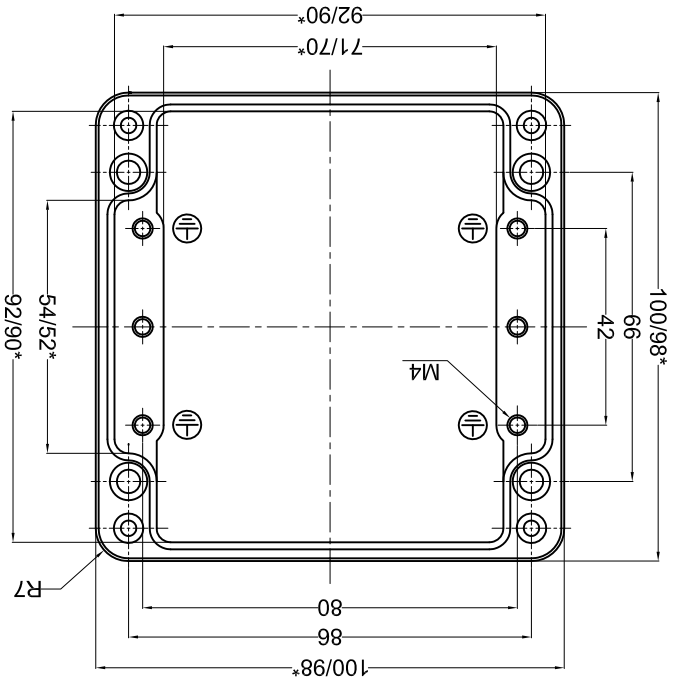
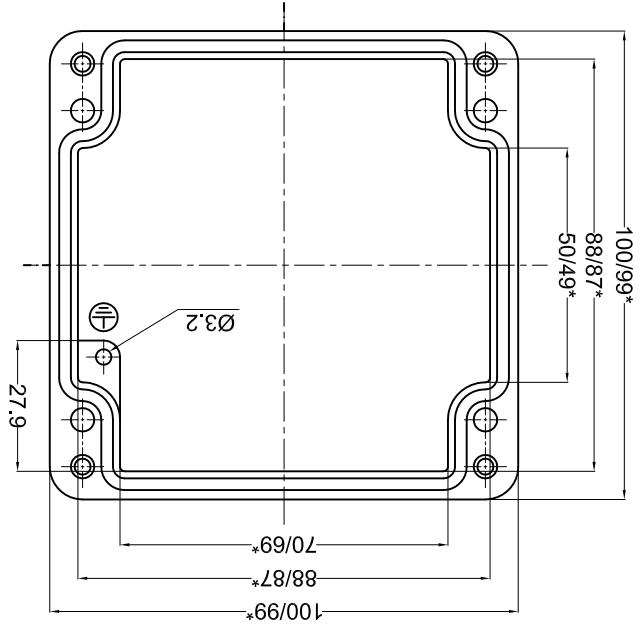


PROPERTY OF RaychemRFG (P) LTD.
 ALL RIGHTS RESERVED AND/OR PHOTOCOPIING THIS DOCUMENT IS PROHIBITED
 TO A PERSON WITHOUT RaychemRFG (P) LTD. WRITTEN AUTHORIZATION IS PROHIBITED

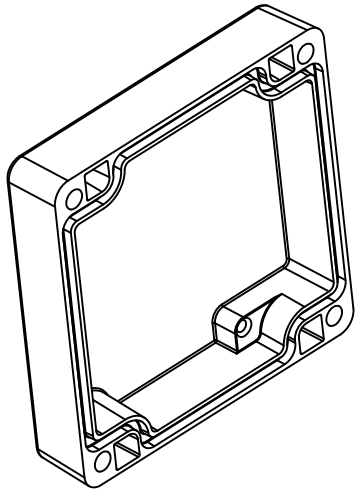
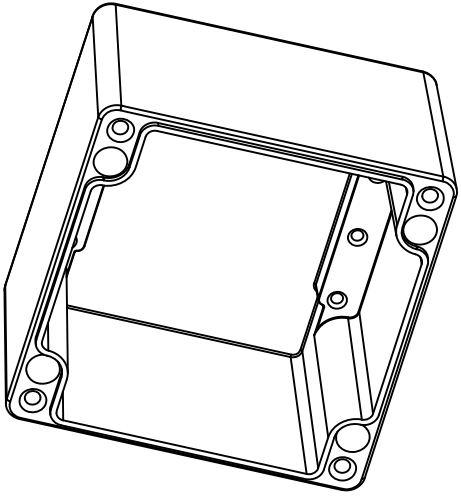
- NOTE :-
- 1) SHRINKAGE 0.5%
 - 2) THEORETICAL VOLUME -
 - 3) ELECTOR PIN DEPTH 0.1 - 0.5mm
 - 4) NON DIMENSIONAL RADIUS - 0.5mm
 - 5) ALL EDGES ARE BURR FREE
 - 6) FUNCTIONALLY CO-ORDINATED
 - 7) TOLERANCE AS PER DIN 1688 (GTA $\frac{H}{3}$) STD.
 - 8) Draft angle : out side max.2°, inside max.3° regarding tool deform
 - 9) =Functions-dimensions to be checked (TOLERANCE $\pm 0.10mm$)



BASE



LID



NO. REV.NO.	DESCRIPTION	DATE	SIGN	NAME	CHECKED
-	-	-	-	-	-
QUANTITY	MACH.NAME	DATE	SIGN	NAME	CHECKED
1	-	08/06/18	-	MANOJ DESIGN	-
TOLERANCE	TITLE :-	DATE	SIGN	NAME	CHECKED
±0.1	JUNCTION BOX	08/06/18	-	PAVAN CHECKED	-
±0.1	100 x 100 x 81	SCALE	S.D.	APPROVED	0
±0.1	Raychem RFG (P) Limited	SCALE	S.D.	APPROVED	0
±0.1	Coat Mahal Annex,	SCALE	S.D.	APPROVED	0
±0.1	Dr. Anthe Beant Road,	SCALE	S.D.	APPROVED	0
±0.1	Worli, Mumbai 400030	SCALE	S.D.	APPROVED	0
±0.1	Web : www.raychemrfg.com	SCALE	S.D.	APPROVED	0
±1.0°	ALL DIMENSION ARE IN MM	SCALE	S.D.	APPROVED	0
ANGLES		SCALE	S.D.	APPROVED	0

* = Conical form tapering downward.
 Untoleranced dimensions per GTA 13/5 DIN 1688

X-ON Electronics

Largest Supplier of Electrical and Electronic Components

Click to view similar products for [Enclosures, Boxes, & Cases](#) *category:*

Click to view products by [TE Connectivity](#) *manufacturer:*

Other Similar products are found below :

[CR-425 PAINTED](#) [585-R-WH-PK](#) [M-10-PLATED](#) [60221-01](#) [60566-01-000](#) [HPL-9VB BATT DOOR](#) [M-16-LID-PLATED](#) [M18-PLTD](#) [M-21-LID-PLATED](#) [M-21-PLATED](#) [M-23-PLATED](#) [CU-281-MB](#) [6711GSKT](#) [71884-29-028](#) [LH45-100 Black](#) [7200B](#) [72868-510-000](#) [CNS-0000 Black](#) [72883-510-000](#) [CNS-0101 Black](#) [72906-510-000](#) [CNS-0407 Black](#) [73091-510-000](#) [CNM-0000-BLACK Kit](#) [73092-510-000](#) [CNM-0101 Black](#) [73108-510-000](#) [CNL-0303 Black](#) [73395-510-039](#) [CNS-0006 Bone](#) [74257-510-000](#) [CNL-0004](#) [MDC-1183-PLAIN-ALUM](#) [MDC-1183-PTD](#) [MDC-13104-PLAIN-ALUM](#) [MDC-211 - PAINTED IVORY/BEIGE](#) [MDC-321-PTD](#) [MDC-432-PLAIN-ALUM](#) [MDC-973-PTD](#) [76](#) [77153-01-028](#) [FLX6030](#) [83535-01-508](#) [PS-11296-G](#) [PS-11298-B](#) [116-508](#) [120-407](#) [120-412](#) [120-909](#) [120-455](#) [R272-100-000](#) [120-910](#) [R501-001-010](#) [R508-080-000](#) [R508-160-000](#) [R530-120-000](#) [R530-122-000](#) [R530-200-000](#) [R531-160-000](#) [R531-200-000](#) [R582-080-100](#)