

# MSX.

Connecting clamps



FM Design



## technical informations

### Base

Glass-fibre reinforced polyamide based (PA) technopolymer, black colour, matte finish. Fitting by means of a stainless steel M5 cylindrical-head screw with hexagon socket and nut.



### T-shaped clamp

Glass-fibre reinforced technopolymer, black colour, matte finish. Fitting by means of stainless steel M5 cylindrical-head screws with hexagon socket and nuts.



### Device clamps

Glass-fibre reinforced technopolymer, black colour, matte finish. Fitting by means of a stainless steel M5 cylindrical-head screws with hexagon socket and nuts.



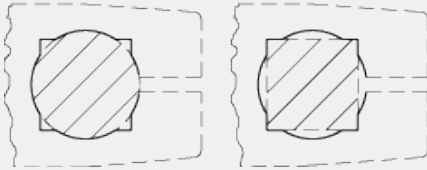
## Features and applications

The geometry of the holes of MSX. series connecting clamps are designed to fit both tubes with round cross section and tubes with square cross section: the latter prevents the elements from rotating (see Fig. 1).

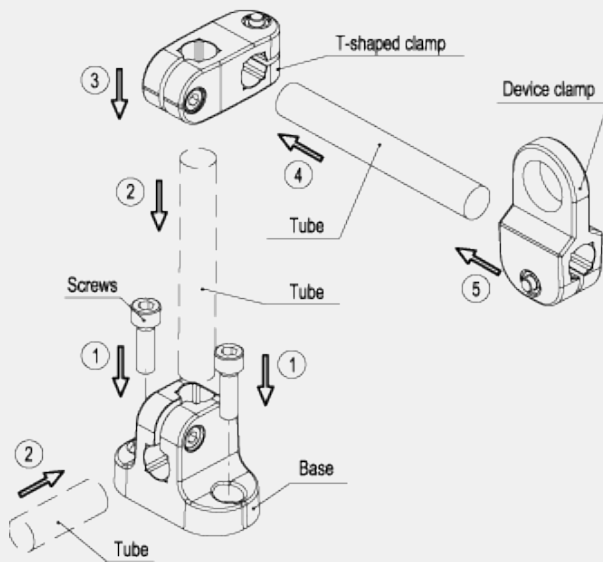
## Assembly instructions

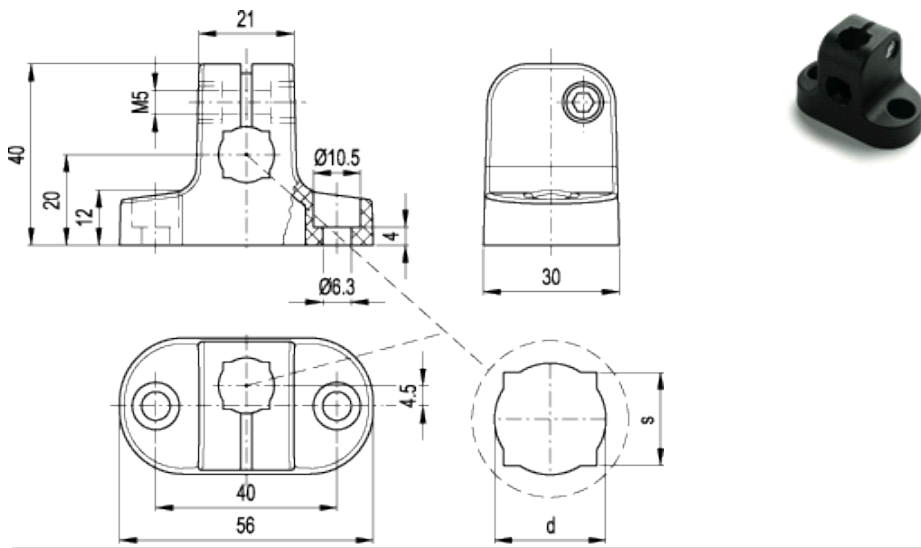
- 1 - Fit the base by means of 2 M6 cylindrical-head screws with hexagon socket (not supplied).
- 2 - Fit the connecting tube into the hole of the base and clamp it by screwing the set screw. Suggested tightening torque 5 Nm.
- 3 - Insert the T-shaped clamp which allows the assembly of another connecting tube.
- 4 - Fit the other connecting tube into the hole of the T-shaped clamp.
- 5 - Fit onto the connecting tube the desired device clamp chosen among the six available ones. After the positioning of the components, clamp them by screwing the set screws. Suggested tightening torque 5 Nm.

Bild 1



Assembly instructions

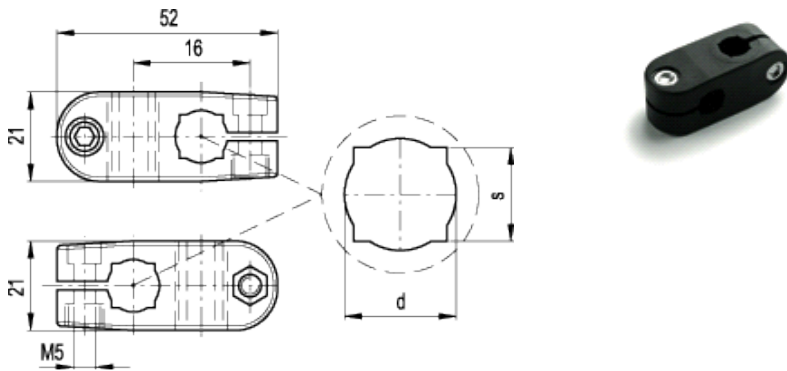




#### BASE

Standard Elements		Mounting holes		Pull out resistance #	Rotation resistance #	Weight
Code	Description	s	d	[N]	[Nm]	g
440101	MSX.56-B-8-10	8	10	900	4	32
440102	MSX.56-B-10-12	10	12	1000	4.5	31
440103	MSX.56-B-12-14	12	14	1100	5	28

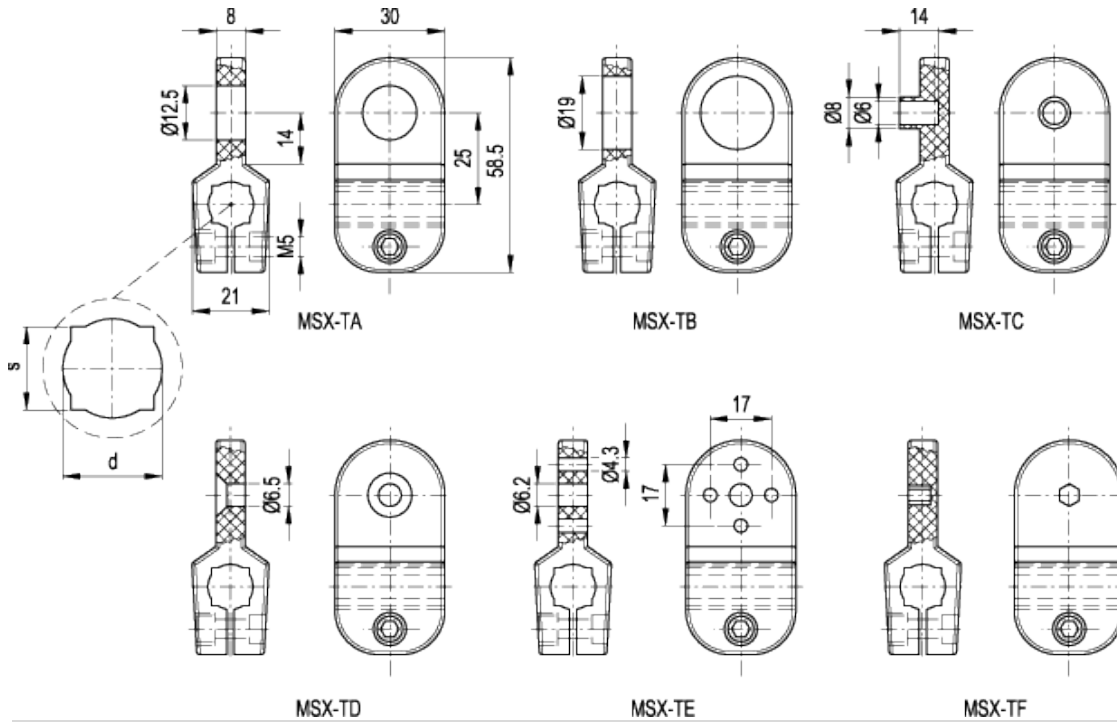
# Tests carried out with round tube.



#### T-SHAPED CLAMP

Standard Elements		Mounting holes		Pull out resistance #	Rotation resistance #	Weight
Code	Description	s	d	[N]	[Nm]	g
440121	MSX.56-C-8-10	8	10	900	4.5	24
440122	MSX.56-C-10-12	10	12	1000	5	23
440123	MSX.56-C-12-14	12	14	1100	5.5	20

# Tests carried out with round tube.



MSX-TD

MSX-TE

MSX-TF

## DEVICE CLAMPS

Standard Elements		Mounting holes		Pull out resistance #	Rotation resistance #	Weight
Code	Description	s	d	[N]	[Nm]	g
440131	MSX.56-TA-8-10	8	10	900	4	23
440132	MSX.56-TA-10-12	10	12	1000	4.5	22
440133	MSX.56-TA-12-14	12	14	1100	5	21
440135	MSX.56-TB-8-10	8	10	900	4	21
440136	MSX.56-TB-10-12	10	12	1000	4.5	20
440137	MSX.56-TB-12-14	12	14	1100	5	19
440139	MSX.56-TC-8-10	8	10	900	4	25
440140	MSX.56-TC-10-12	10	12	1000	4.5	24
440141	MSX.56-TC-12-14	12	14	1100	5	23
440143	MSX.56-TD-8-10	8	10	900	4	24
440144	MSX.56-TD-10-12	10	12	1000	4.5	23
440145	MSX.56-TD-12-14	12	14	1100	5	22
440147	MSX.56-TE-8-10	8	10	900	4	23
440148	MSX.56-TE-10-12	10	12	1000	4.5	22
440149	MSX.56-TE-12-14	12	14	1100	5	21
440151	MSX.56-TF-8-10	8	10	900	4	24
440152	MSX.56-TF-10-12	10	12	1000	4.5	23
440153	MSX.56-TF-12-14	12	14	1100	5	22

# Tests carried out with round tube.



STANDARD MACHINE ELEMENTS WORLDWIDE

## X-ON Electronics

Largest Supplier of Electrical and Electronic Components

*Click to view similar products for [Sensor Fixings & Accessories](#) category:*

*Click to view products by [Elesa & Ganter](#) manufacturer:*

Other Similar products are found below :

[EC18-WELL](#) [SA9Z-F11](#) [E4R-R12A-CS3M010](#) [E4R-R12A-CS3M020](#) [BS-1T CHITAN](#) [ICAB-1](#) [SA9Z-S07PN02](#) [ECT18-WELL](#) [57142-000](#)  
[79450811](#) [T18908](#) [P2435.3](#) [TM1STNTCW69755](#) [FRS2](#) [P2432.3](#) [P2434.3](#) [AS7030B\\_WRISTBAND](#) [AS7038GB\\_WRISTBAND](#) [EVAL-](#)  
[CHAMBER](#) [EVAL-CHAMBER-10](#) [MB18A](#) [R-6717-4F6](#) [51001R](#) [430233](#) [440101](#) [440102](#) [440121](#) [440122](#) [440131](#) [440132](#) [440135](#)  
[440136](#) [440147](#) [XSZB108](#) [Y92E-BC12](#) [Y92E-BC18](#) [843-12AC/DC](#) [844-12AC/DC](#) [771000-6011](#) [771000-6202](#) [812-12AC/DC](#) [834-](#)  
[12AC/DC](#) [909G](#) [910G](#) [913G](#) [92.031.9058.1](#) [92.032.9058.1](#) [925G](#) [771000-6010](#) [GN 473-B12-MT](#)