



SERIES TL1105 SWITCHES

TACT SWITCHES - 6mm x 6mm

TACT SWITCHES

NAVIGATION SWITCHES

PUSHBUTTON SWITCHES

TOGGLE SWITCHES

ROCKER SWITCHES

SLIDE SWITCHES

SNAP-ACTION SWITCHES

DIP SWITCHES

KEYLOCK SWITCHES

ROTARY SWITCHES

DETECTOR SWITCHES

CAP. OPTIONS



SPECIFICATIONS

| | |
|------------------------|---|
| Contact Rating: | 50mA @ 12 VDC (50mA @ 50VDC-gold) |
| Life Expectancy: | 100,000 cycles |
| Contact Resistance: | 100mΩ max., typical @ 2-4 VDC 100mA for both silver and gold plated contacts |
| Insulation Resistance: | 100MΩ min. |
| Dielectric Strength: | 250 VAC |
| Actuation Force: | 100 ± 50 gf, 160 ± 50 gf, 250 ± 50 gf |
| Operating Temperature: | -20°C to 70°C |
| Travel: | 0.25 Typ |

FEATURES & BENEFITS

- ▶ Reliable dome contact technology
- ▶ Strong tactile/audible feedback
- ▶ Multiple operating force options

APPLICATIONS/MARKETS

- ▶ Telecommunications
- ▶ Consumer Electronics
- ▶ Audio/visual
- ▶ Medical
- ▶ Testing/instrumentation
- ▶ Computer/servers/peripherals

HOW TO ORDER

| SERIES | MODEL NO. | ACTUATOR ("L" Dimension) | OPERATING FORCE | CONTACT MTL./TERMINATION | CAP (Where Avail.) | CAP COLOR |
|--|-----------|---|----------------------|--------------------------|---|-----------|
| TL TLE = Earth Ground LL = Long Life | 1105 | (None) = 4.3mm A = 5.0mm B = 9.5mm C = 8.0mm D = 13.0mm E = 7.3mm F = 7.0mm G = 9.7mm H = 12.5mm K = 13.5mm (Not available for LL Series) L = 17.0mm P = 8.5mm Y = 16.3mm T = 2.4mm <input type="checkbox"/> SP = 2.8mm <input type="checkbox"/> | F100 F160 F250 | Q = Silver R = Gold | See Cap Options Caps available for SP option only. | |

- Square Snap-on Actuator Head
"L" Dimension is 7.5mm

Note: Contact E-Switch for additional Operating Force Options.

| | | | | | | |
|----------------------|---------------------|---|----------------------|------------------------|---|--|
| TL LL = Long Life | 1105 (Rt. Angle) | V = 3.85mm W = 3.15mm X = 5.85mm R = 6.15mm M = 6.85mm S = 8.35mm N = 11.85mm Q = 15.85mm J = 2.4mm <input type="checkbox"/> JA = 2.8mm <input type="checkbox"/> | F100 F160 F250 | Q = Silver R = Gold | See Cap Options Caps available for JA option only. | |
|----------------------|---------------------|---|----------------------|------------------------|---|--|

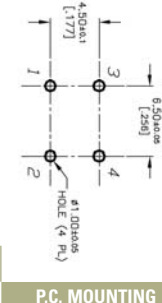
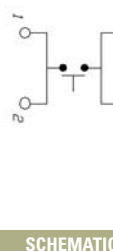
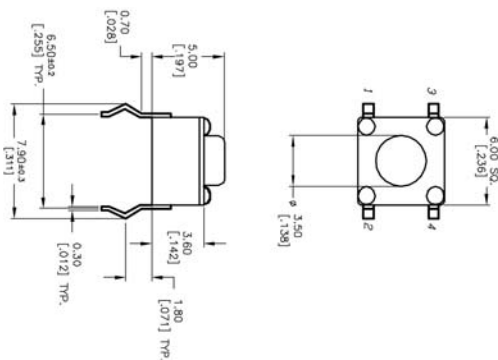
▶ ▶ ▶ Example Ordering Number
TL-1105-SP-F160-Q-1R RED

- Square Snap-on Actuator Head
"L" Dimension is 6.35mm

Specifications subject to change without notice.



TL 1105/LL 1105

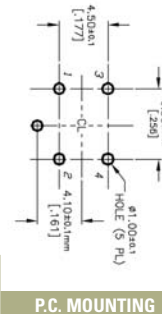
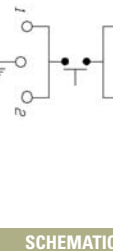
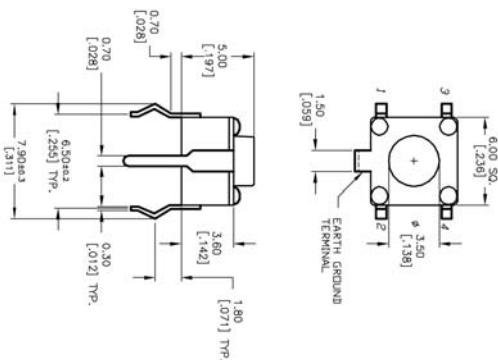


SCHEMATIC

P.C. MOUNTING

TLE 1105

TLE (EARTH TERMINAL)



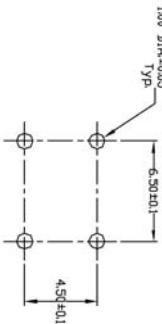
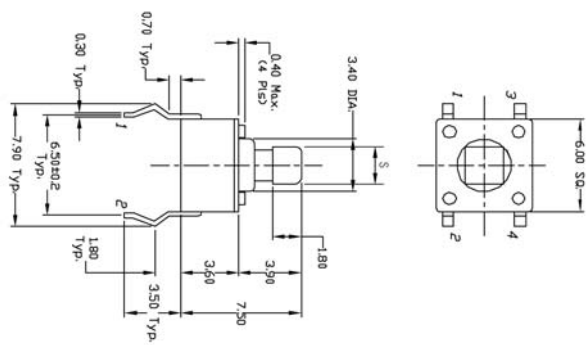
SCHEMATIC

P.C. MOUNTING

TL 1105 T



| Model No. | 'S' Dim. |
|-----------|----------|
| TL1105T | 2.4 mm |
| TL1105SP | 2.8 mm |



SCHEMATIC

P.C. MOUNTING

TACT SWITCHES

NAVIGATION SWITCHES

PUSHBUTTON SWITCHES

TOGGLE SWITCHES

ROCKER SWITCHES

SLIDE SWITCHES

SNAP-ACTION SWITCHES

DIP SWITCHES

KEYLOCK SWITCHES

ROTARY SWITCHES

DETECTOR SWITCHES

CAP OPTIONS



SERIES TL1105 SWITCHES

TACT SWITCHES - 6mm x 6mm

TACT SWITCHES

NAVIGATION SWITCHES

PUSHBUTTON SWITCHES

TOGGLE SWITCHES

ROCKER SWITCHES

SLIDE SWITCHES

SNAP-ACTION SWITCHES

DIP SWITCHES

KEYLOCK SWITCHES

ROTARY SWITCHES

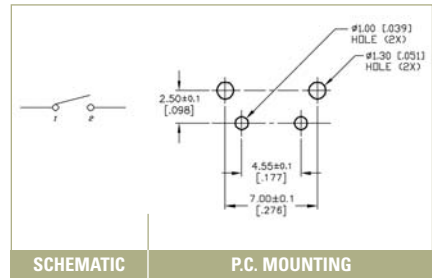
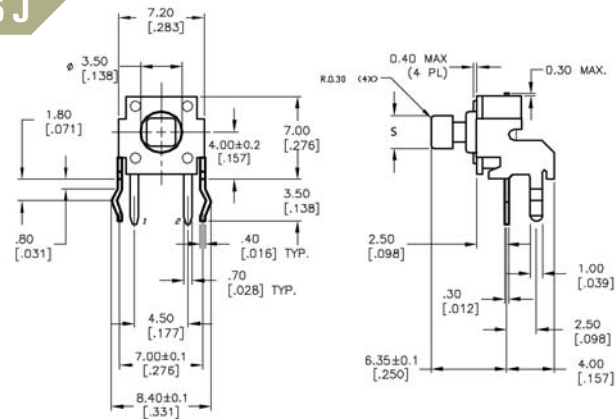
DETECTOR SWITCHES

CAP OPTIONS

TL 1105 J/LL 1105 J

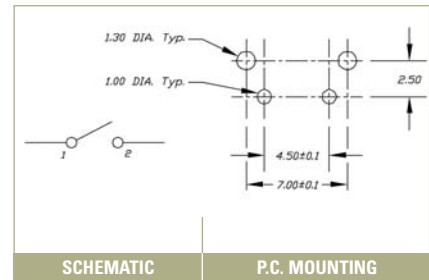
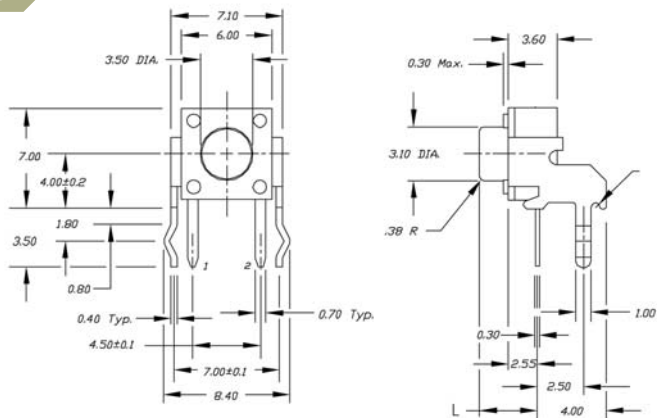


| Model No. | 'S' Dim. |
|-----------|----------|
| TL1105J | 2.4 mm |
| TL1105JA | 2.8 mm |



TL 1105/LL 1105

RIGHT ANGLE



X-ON Electronics

Largest Supplier of Electrical and Electronic Components

Click to view similar products for [Tactile Switches](#) category:

Click to view products by [E-Switch](#) manufacturer:

Other Similar products are found below :

[KMR633NG LFG](#) [5GTH9202242](#) [6426-201-11343](#) [MJ1226](#) [MJTP1109B](#) [MJTP1138EAUTR](#) [MJTP1230BL](#) [MJTPSHW](#) [GS6.90F300QP](#) [1-1977223-0](#) [1-1977120-4](#) [ADTSA62NV](#) [ADTSA62RV](#) [ADTSA63KV](#) [ADTSA644NV](#) [ADTSM24NVTR](#) [ADTSMW66NV](#) [ADTSMW67RV](#) [ATM533VTR](#) [1571300-3](#) [B3F-3123](#) [B3F-6055A](#) [B3F-B32-01-KIT](#) [1977177-8](#) [1977266-1](#) [2-1977223-4](#) [2-1977223-7](#) [ADTS644KV](#) [ADTSA61RV](#) [ADTSA62KV](#) [ADTSA63NV](#) [ADTSA63RV](#) [ADTSA65NV](#) [ADTSM21NSVTR](#) [ADTSM25RVTR](#) [ADTSM31RVTR](#) [ADTSM32NVTR](#) [ADTSM61YVTR](#) [ADTSM63SVTR](#) [ADTSM644KVTR](#) [ADTSMW64RV](#) [ADTSMW69NV](#) [FSMRA4JHA04](#) [GS4.70F300QP](#) [D38999/20JJ37SA](#) [TL1105B](#) [TL1105J](#) [ATH447K2Q](#) [ATM534VTR](#) [MJ1215](#)