

# TLA.

Hook clamps



INOX  
Stainless Steel



## technical informations

### Standard executions

- TLA: basic hook clamp.
- TLAL: hook clamp with padlock hole.
- TLAS: hook clamp with security stop and technopolymer push button in RAL 3000 red colour or with stainless steel spring.

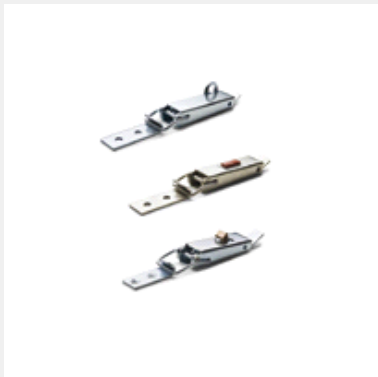
Indexes to add to the above-mentioned standard executions:

- Z: lever body and bracket in zinc-plated steel.
- S: lever body and bracket in AISI 304 stainless steel.
- NH: lever body and bracket in nickel-plated steel.

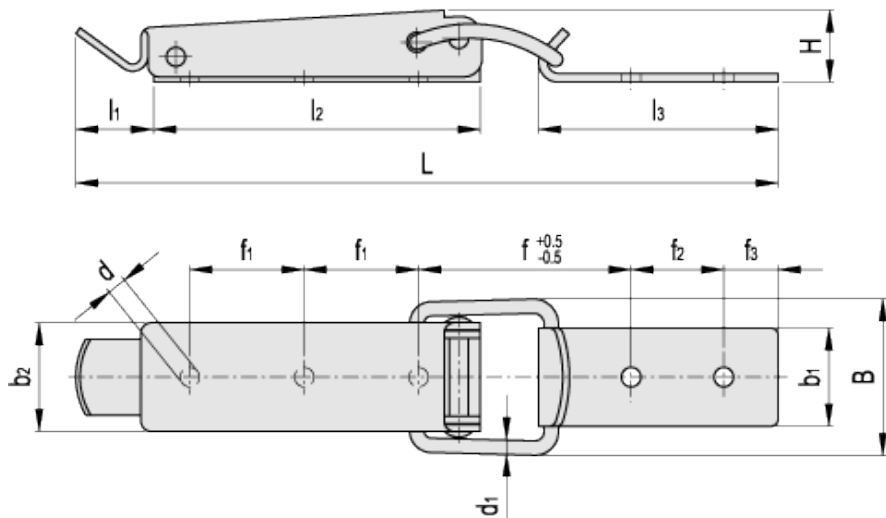
### Special executions on request

- Unplated steel hook clamps.
- Catch brackets in different shapes and finishes.

### Radial strength tests

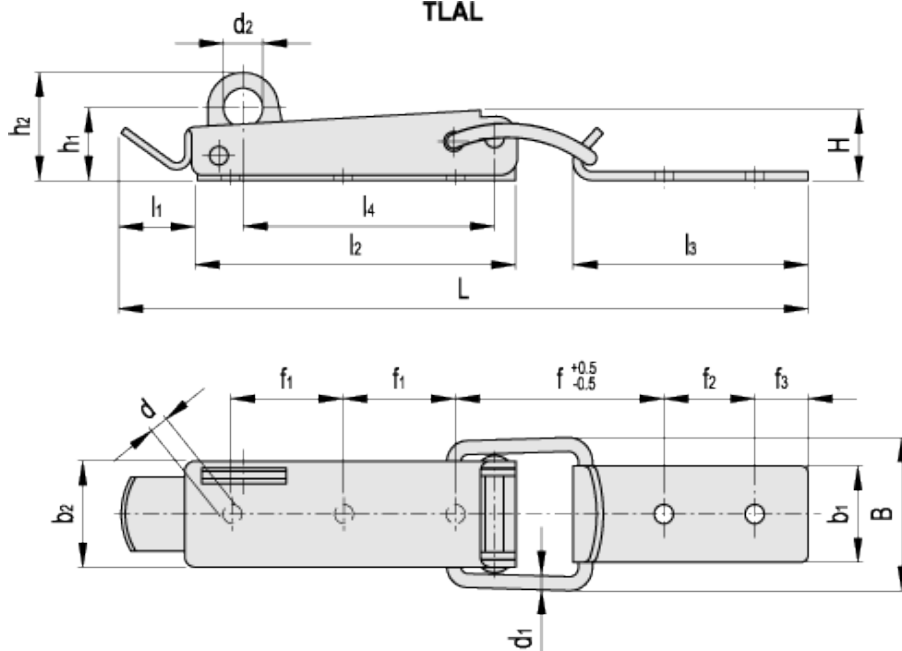


### TLA



| Standard Elements |                  |        |                    | Main dimensions |    |      |       |       |       |       |       |       |     |      |       |       | Maximum working load | Load at breakage | Weight |     |
|-------------------|------------------|--------|--------------------|-----------------|----|------|-------|-------|-------|-------|-------|-------|-----|------|-------|-------|----------------------|------------------|--------|-----|
| Code              | Description      | Code   | Description        | L               | B  | H    | $b_1$ | $b_2$ | $d_1$ | $l_1$ | $l_2$ | $l_3$ | $d$ | $f$  | $f_1$ | $f_2$ | $f_3$                | [N]              | [N]    | g   |
| 420081            | TLA.Z-16.4/102+R | 420082 | TLA.SST-16.4/102+R | 102             | 23 | 11   | 13    | 16.4  | 2     | 16    | 44    | 30.3  | 2   | 34.5 | 12.5  | 12    | 5                    | 550              | 1200   | 31  |
| 420061            | TLA.Z-23/140.5+R | 420062 | TLA.SST-23/140.5+R | 140.5           | 34 | 12.5 | 19    | 23    | 3     | 16    | 70    | 43    | 4.1 | 38   | 22.5  | 20    | 8                    | 1500             | 3000   | 78  |
| 420051            | TLA.Z-30/193.5+R | 420052 | TLA.SST-30/193.5+R | 193.5           | 43 | 19   | 27    | 30    | 4     | 21.5  | 90    | 66    | 5.3 | 58.5 | 31.5  | 25.5  | 15                   | 2000             | 4000   | 188 |

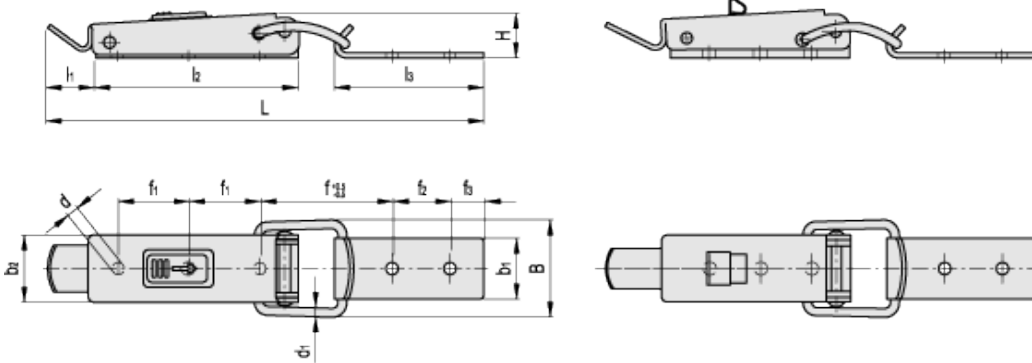
### TLAL



| Standard Elements |                   |        |                     | Main dimensions |    |      |       |       |       |       |       |       |     |      |       |       |       |       | Maximum working load | Load at breakage |       |      |      |
|-------------------|-------------------|--------|---------------------|-----------------|----|------|-------|-------|-------|-------|-------|-------|-----|------|-------|-------|-------|-------|----------------------|------------------|-------|------|------|
| Code              | Description       | Code   | Description         | L               | B  | H    | $b_1$ | $b_2$ | $d_1$ | $l_1$ | $l_2$ | $l_3$ | $d$ | $f$  | $f_1$ | $f_2$ | $f_3$ | $d_2$ | $h_1$                | $h_2$            | $l_4$ | [N]  | [N]  |
| 420085            | TLAL.Z-16.4/102+R | 420086 | TLAL.SST-16.4/102+R | 102             | 23 | 11   | 13    | 16.4  | 2     | 16    | 44    | 30.3  | 2   | 34.5 | 12.5  | 12    | 5     | 4     | 11.5                 | 15.5             | 34.5  | 550  | 1200 |
| 420063            | TLAL.Z-23/140.5+R | 420064 | TLAL.SST-23/140.5+R | 140.5           | 34 | 12.5 | 19    | 23    | 3     | 16    | 70    | 43    | 4.1 | 38   | 22.5  | 20    | 8     | 7     | 13                   | 20               | 55    | 1500 | 3000 |
| 420053            | TLAL.Z-30/193.5+R | 420054 | TLAL.SST-30/193.5+R | 193.5           | 43 | 19   | 27    | 30    | 4     | 21.5  | 90    | 66    | 5.3 | 58.5 | 31.5  | 25.5  | 15    | 11    | 20.5                 | 30.5             | 71    | 2000 | 4000 |

TLAS-30/193.5+R

TLDS-16.4/102+R



| Standard Elements |                    |        |                     | Main dimensions |    |    |                |                |                |                |                |                |     |      | Maximum working load | Load at breakage | Weight         |      |      |     |
|-------------------|--------------------|--------|---------------------|-----------------|----|----|----------------|----------------|----------------|----------------|----------------|----------------|-----|------|----------------------|------------------|----------------|------|------|-----|
| Code              | Description        | Code   | Description         | L               | B  | H  | b <sub>1</sub> | b <sub>2</sub> | d <sub>1</sub> | l <sub>1</sub> | l <sub>2</sub> | l <sub>3</sub> | d   | f    | f <sub>1</sub>       | f <sub>2</sub>   | f <sub>3</sub> | [N]  | [N]  | g   |
| 420083            | TLAS.Z-16.4/102+R  | 420084 | TLAS.SST-16.4/102+R | 102             | 23 | 11 | 13             | 16.4           | 2              | 16             | 44             | 30             | 3.2 | 34.5 | 12.5                 | 12               | 5              | 550  | 1200 | 32  |
| 420055            | TLAS.NH-30/193.5+R | 420056 | TLAS.S-30/193.5+R   | 193.5           | 43 | 19 | 27             | 30             | 4              | 21.5           | 90             | 66             | 5.3 | 58.5 | 31.5                 | 25.5             | 15             | 2000 | 4000 | 185 |



ELESA and GANTER models all rights reserved in accordance with the law. Always mention the source when reproducing our drawings.

STANDARD MACHINE ELEMENTS WORLDWIDE

## X-ON Electronics

Largest Supplier of Electrical and Electronic Components

*Click to view similar products for [Mounting Fixings](#) category:*

*Click to view products by [Elesa & Ganter](#) manufacturer:*

Other Similar products are found below :

[5912235-2](#) [007310](#) [007541](#) [6-141-P](#) [620HA038NF09](#) [620HA038NF11](#) [CTJ420E028-513](#) [M81714/60-12-01](#) [M81714/60-22-01](#) [L/C](#)  
[MA1EAF1200](#) [70-584649-01P](#) [71-074914-006](#) [71-215091-8S](#) [712HA170B23128-N](#) [71-344699-4S](#) [71-441549-19S](#) [71-441864-5S](#) [71-](#)  
[490451-4H](#) [EX-13-3-B-16-325PN](#) [75-69116-8S](#) [75-69211-3P](#) [75-69220-27S](#) [75-69224-5S](#) [75-69614-2S](#) [770-006A109](#) [770-006A109R](#) [770-](#)  
[006A207](#) [770-006A208W1](#) [770-006A209](#) [770-006A306](#) [770-006A703W1](#) [770-006A704](#) [770-006A704W1](#) [770-006A705](#) [770-006A706](#)  
[770-006A706W1](#) [770-006A707](#) [770-006A709](#) [770-007A203](#) [770-007A203W1](#) [770-007A204W1](#) [770-007A207W1](#) [770-007A703](#) [770-](#)  
[007A704W1](#) [770-007A706](#) [770-007A707W1](#) [770-010Y208](#) [770-010Y308](#) [770-010Y705](#) [770-010Y706](#)