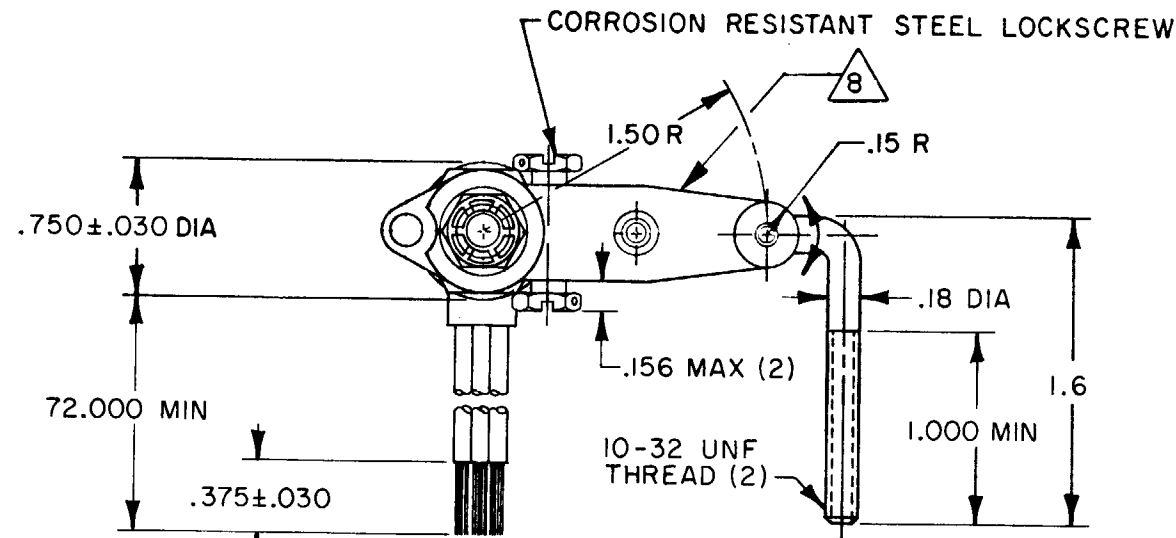


MICRO SWITCH
 FREEPORT ILLINOIS U S A
 A DIVISION OF HONEYWELL
 FED. MFG. CODE 91929

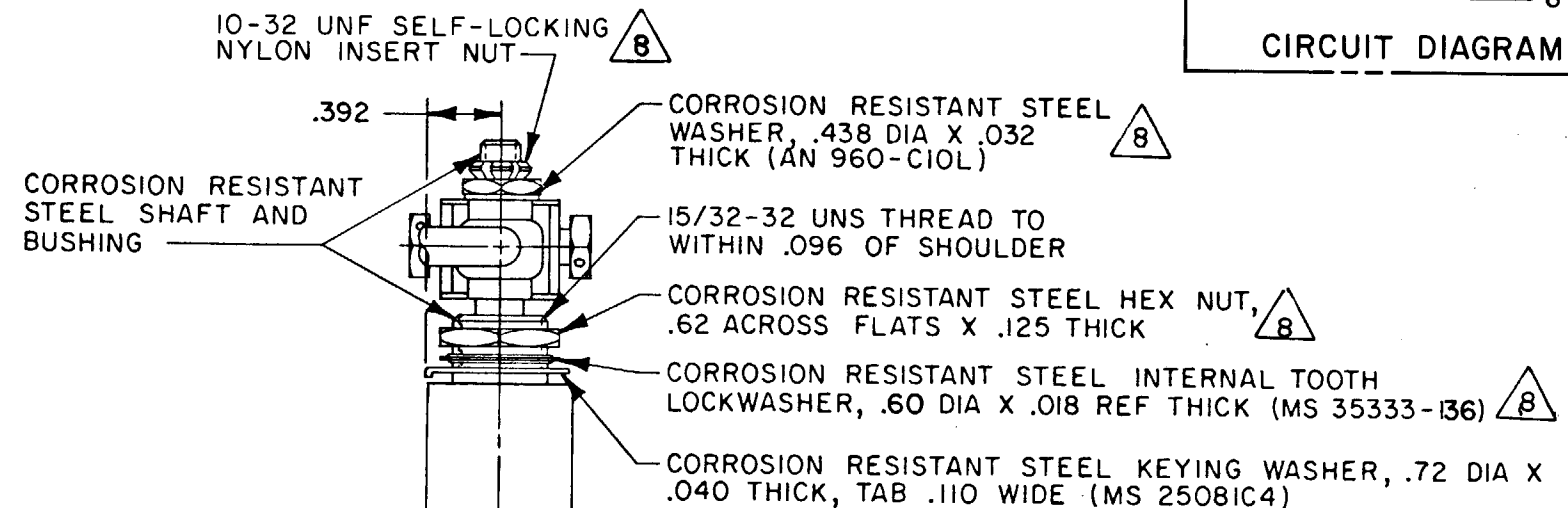
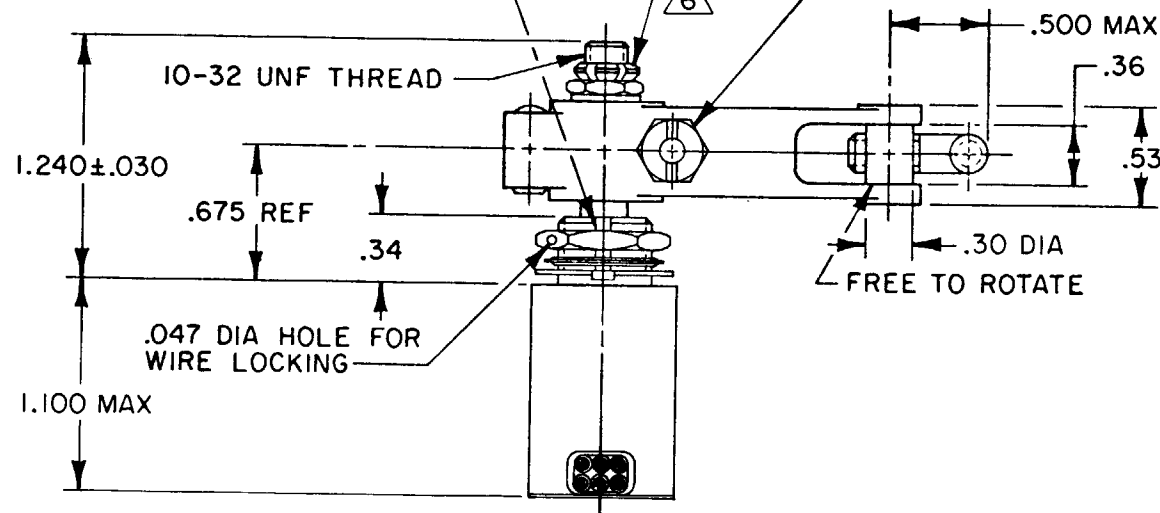
SWITCH - ENCLOSED

CATALOG LISTING
442EN19-6

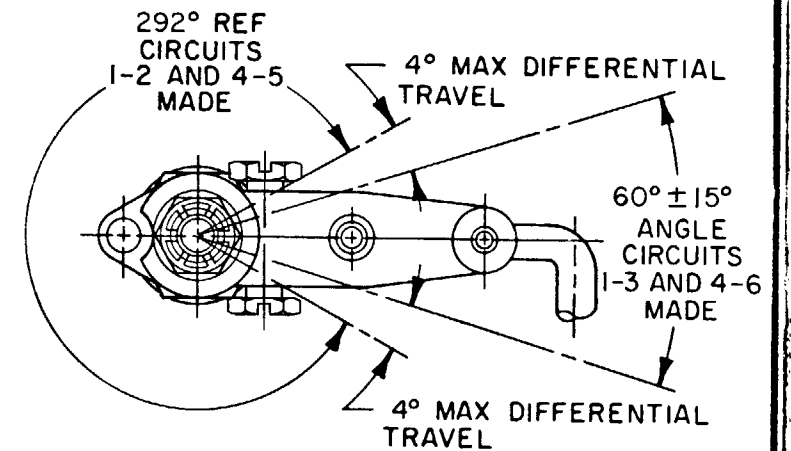
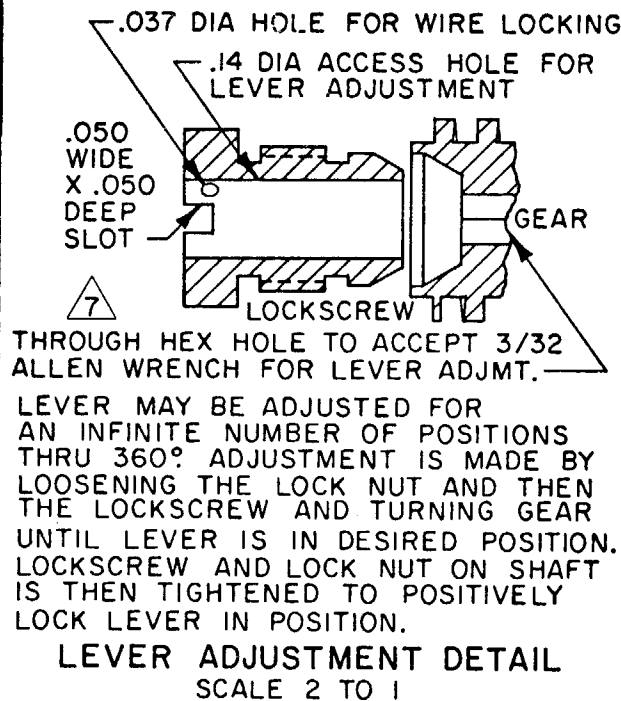


1/4-32 UNEF-2A CORROSION RESISTANT STEEL LOCKING SCREW .312 REF ACROSS FLATS (2)

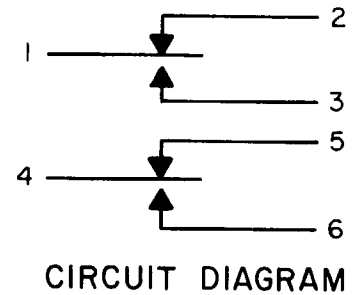
.076 WIDE X .040 REF DEEP KEYWAY



NO. 20 WIRE LEAD PER MIL-W-22759/5 MARKED WITH CIRCUIT IDENTIFICATION AND WIRE GAGE (1-20, 2-20, ETC) PER MIL-W-5088 (6)

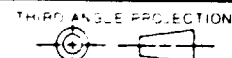


CHARACTERISTICS



442EN19-6
 DRAWING NUMBER
 M
 RELEASE NO. SR-12110
 CHECK
 REVISIONS
 A C044351 CEB 25 FEB 80
 B C047573 TSM 11 AUG 80
 C 49806 GRT 28 SEP 81
 D C053720
 E C057370 CJH 25 AUG 83
 J A P 14 MAY 85
 DRAWN
 CEB 25 FEB 80 CHECK CEB 27 FEB 80
 FO-32851-A

THIS DRAWING COVERS A PROPRIETARY ITEM AND IS THE PROPERTY OF MICRO SWITCH, A DIVISION OF HONEYWELL. THIS DRAWING IS NOT TO BE COPIED OR USED WITHOUT THE APPROVAL OF MICRO SWITCH.



SCALE FULL

DO NOT SCALE PRINT

TOLERANCES
 APPLY TO DESIGN UNITS. CONVERSIONS ARE ONLY FOR REFERENCE. UNLESS NOTED, TOLERANCES ARE 2

NO. PLACES	DIM.	TOL.	DIM.	TOL.
	mm	mm/in	in	mm/in
ONE PLACE	X	1/64	X X	0.07/03
TWO PLACES	X,XX	0.47/016	X X X	0.38/015
THREE PLACES	X,XXX	0.15/006	X X X X	0.13/005

DESIGN UNITS: SI METRIC US CUSTOMARY
 RAW MATERIAL-COMMERCIAL STANDARD MICRO SWITCH STANDARDS APPLY
 DIMENSIONS ARE TO BE MET BEFORE PROTECTIVE COATINGS ARE APPLIED

WEIGHT 8.3 OZ MAX

CHARACTERISTICS	
OPERATING TORQUE-----3 IN LB MAX	SEE DETAIL
PRETRAVEL	SEE DETAIL
DIFFERENTIAL TRAVEL	
OVERTRAVEL	
FREE POSITION	

ELECTRICAL DATA		
CONTACT ARRANGEMENT S P D T (2)		
LOAD	28 VDC	
RES	SEA LEVEL	50,000 FT.
IND	7	7
MOTOR	4	2.5
LAMP	4	

NOTES

- ALL EXPOSED PARTS ARE CORROSION RESISTANT
- SWITCH SEALED PER MIL-S-8805 SYMBOL 4
- MICRO IDENTIFICATION, CIRCUIT DIAGRAM, AND CAT. LIST. PERMANENTLY MARKED ON SIDE OF SWITCH
- UNIT PROVIDES NO SHAFT RESTORING TORQUE, THE ACTUATING DEVICE MUST CONTROL MOVEMENT OF THE SHAFT
- CIRCUIT DIAGRAM SHOWN WITH SWITCH IN OPERATED POSITION
- DO NOT APPLY MORE THAN 20-25 INCH-POUNDS OF TORQUE WHEN TIGHTENING LOCKING NUT
- WORM GEAR TO TURN WITH 6 IN-LB MAX TORQUE WITH SCREWS LOCKED OUT TIGHT
- HARDWARE MAY BE PACKAGED UNASSEMBLED PER MIL-S-8805

X-ON Electronics

Largest Supplier of Electrical and Electronic Components

Click to view similar products for [Basic / Snap Action Switches](#) category:

Click to view products by [Honeywell](#) manufacturer:

Other Similar products are found below :

[83228001](#) [01.098.1358.1](#) [602EN1-6B](#) [602EN532](#) [602EN535-RB](#) [602HE5-RB1](#) [604HE162](#) [604HE223-6B](#) [624HE17-RB](#) [6HM89](#) [6PA78-JM](#)
[6SE1](#) [6SX1-H58](#) [70500840](#) [MBD5B1](#) [MBH2731](#) [73-316-0012](#) [79211759](#) [79211923](#) [79218589](#) [7AS12](#) [ML-1155](#) [ML-1376](#) [831010C3.0](#)
[831060C3.TL](#) [831090C2.EL](#) [83131904](#) [84212012](#) [8AS239](#) [8HM73-3](#) [903VB1-PG](#) [914CE1-6G](#) [PL-100](#) [11SM1077-H4](#) [11SM1077-H58](#)
[11SM1-TN107](#) [11SM405](#) [11SM703-T](#) [11SM8423-H2](#) [11SX37-T](#) [11SX48-H58](#) [11SX55-H58](#) [11SM2442-T](#) [11SM76-T](#) [11SM77-H58](#)
[11SM77-T](#) [11SM863-T](#) [11SM866](#) [11SX47-H58](#) [A7CN-1M-1-LEFT](#)