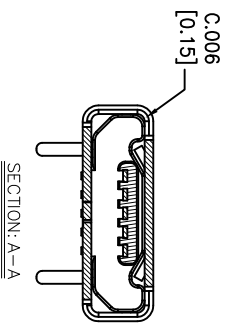
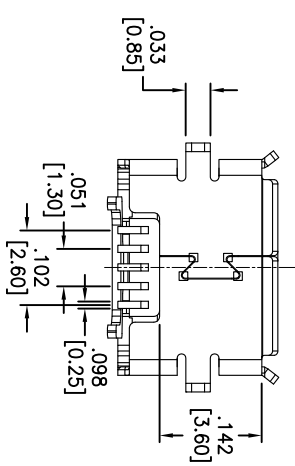
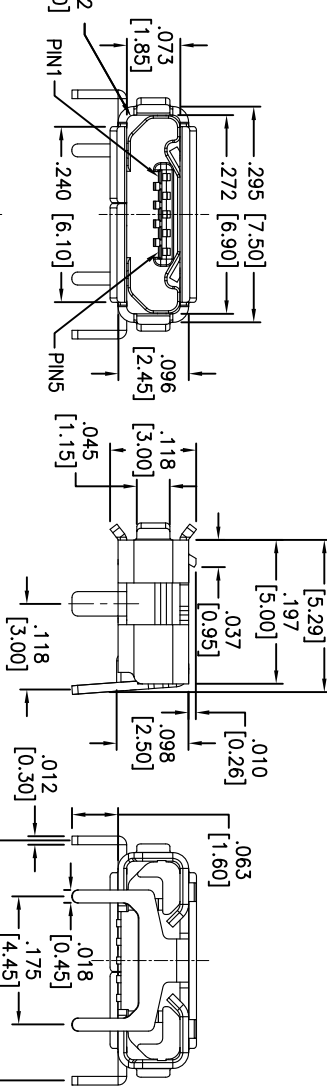
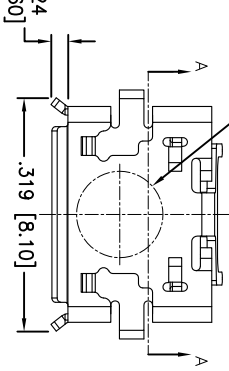
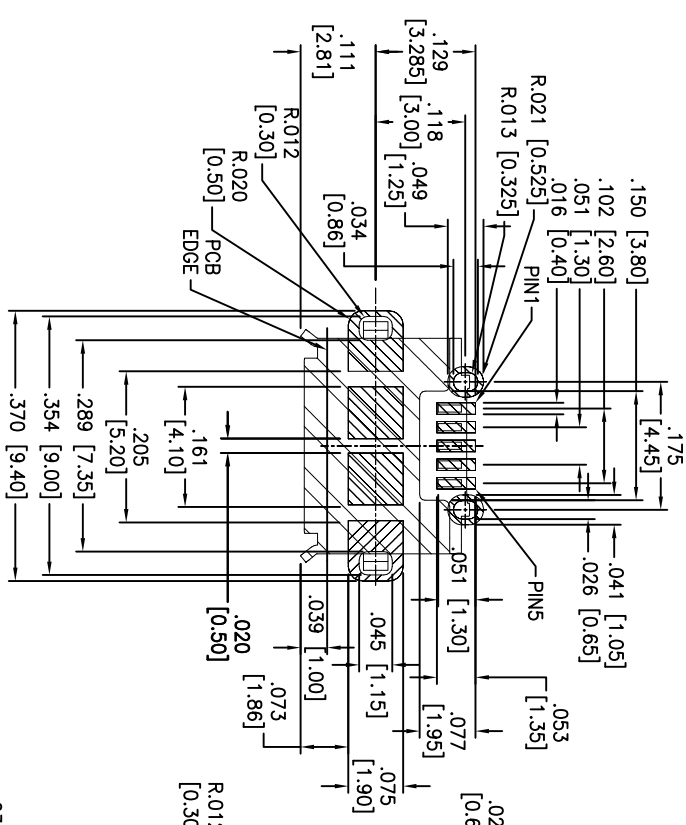


Rev	AWO #	Description	Date	Appr
-		RELEASED	4/16/13	
A		REVISED SHAPE	4/18/13	
B		ADDED SHAPE	6/18/13	

APPROVED: _____ TITLE: _____
 DATE: _____



RECOMMENDED PCB LAYOUT



SPECIFICATIONS:
 Material: Insulator: Hi-temp thermoplastic,, glass reinforced rated UL 94V-0
 Insulator color: Black
 Contacts: Copper Alloy
 Shell: Stainless Steel, Matte Tin plated
 Plating: Gold Flash over Nickel overall
 Electrical:
 Operating voltage: 250 VAC max.
 Current rating: 1 Amp max.
 Contact resistance: 30 mohms max.
 Insulation resistance: 100 Mohms min. @ 500 VDC
 Dielectric withstanding voltage: 100 VAC for 1 minute
 Temperature Rating:
 Operating temperature: -30°C to +80°C
 Environmental:
 Lead free, ROHS compliant.

PACKAGED ON TAPE & REEL

ADAM TECH
 909 Railway Avenue, Union, NJ 07083
 Phone: 908-687-5000 Fax: 908-687-5710

UNLESS OTHERWISE SPECIFIED ALL DIMENSIONS ARE INCHES [MM] TOLERANCES: EXCEPT AS NOTED		Holes		DATE	
X	± .10	ØX	± .10		
.XX	± .020	ØXX	± .015		
.XXX	± .015	ØXXX	± .010		
APPROVALS					
DRAWN	AY		4/16/13		
CHECKED	CC		4/16/13		
APPROVED					
TITLE		SIZE	PART NO.	REV.	
MICRO USB, TYPE AB, SINGLE PORT RIGHT ANGLE, BOTTOM MOUNT, SMT TYPE		X	MCR-AB1-S-RA-SMT-CS1-T/R	B	
REF: S00073C		SCALE:	NTS	SHEET	1 OF 1



X-ON Electronics

Largest Supplier of Electrical and Electronic Components

Click to view similar products for [USB Cables / IEEE 1394 Cables](#) category:

Click to view products by [Adam](#) manufacturer:

Other Similar products are found below :

[68768-0173](#) [FNY-W6003-01](#) [88764-0800](#) [13805532](#) [148700-1](#) [17-200621](#) [17-250051P](#) [954](#) [AC102012-2](#) [IP-USB1\(C10\)S-RW](#)
[CABLE/RTP/USB/DT](#) [0847290003](#) [10115240-12200LF](#) [RS232-GTD](#) [USBFTVX2SA2N03A](#) [USBFTV2SA2N03A](#) [1689404-1](#) [FTP-](#)
[629Y401](#) [FTP-628Y402](#) [943301-001](#) [FNY-W6022](#) [FNY-W6003-03](#) [1310-1015-05](#) [1310-1019-04](#) [0887283402](#) [UA-30AMFM-SL7B02](#) [UA-](#)
[30AMFM-SL7B01](#) [UA-30AFM-LD7B03](#) [UA-30AMFM-SL7B03](#) [USBAPSCC7202A](#) [UES-1001A160](#) [UES-1003A160](#)
[USBFTVX7SA2N20A](#) [USBFTVX2SA2N20A](#) [USBFTV2PEMSA2N10A](#) [FTP-629Y602](#) [USBCAMCM100](#) [USB A/F*2 to 2.54 2*5P-SH](#)
[L=400mm](#) [EP-CBUSB10P2FLT](#) [1310-1033-01](#) [1310-1037-04](#) [ASR-USB](#) [68784-0075](#) [17-241361](#) [17-230471](#) [217B-BC02](#) [USB-29](#) [19800-](#)
[010500-200-RS](#) [USB+MINI DIN 6P WITH BKT](#) [088738-8100](#)