

Rev	AWO #	Description	Date	Appr
-		RELEASED	10/11/11	

6

5

4

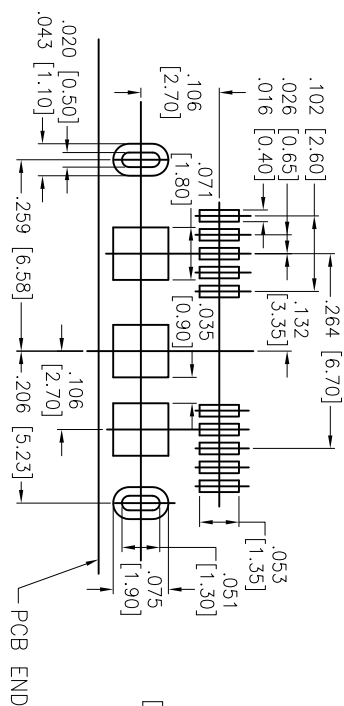
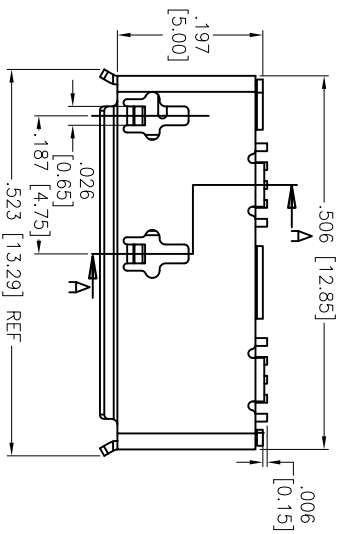
3

2

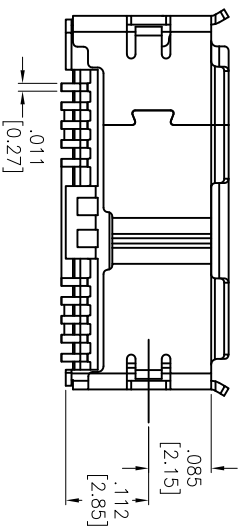
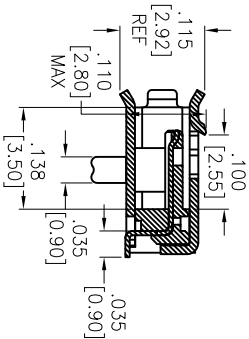
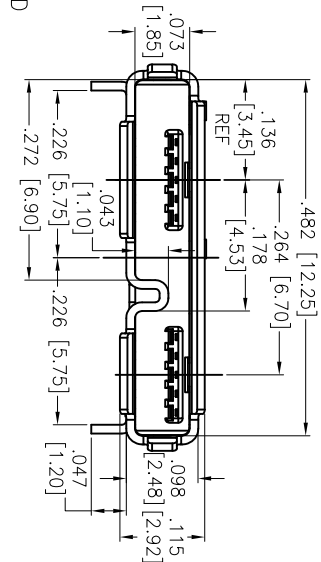
1

APPROVED: _____

DATE: _____ TITLE: _____



RECOMMENDED PCB LAYOUT



SPECIFICATIONS:

- Material: Insulator: LCP, rated UL 94V-0
- Insulator color: Black
- Contacts: Brass
- Shell: Stainless Steel, Nickel over plated
- Plating: 15u" Gold Flash over Nickel overall

Electrical:

- Operating voltage: 30 VAC max.
- Current rating: 1 Amp max.
- Contact resistance: 50 mohms max.
- Insulation resistance: 100 Mohms min. @ 500 VDC
- Dielectric withstanding voltage: 250 VAC for 1 minute
- Temperature Rating: Operating temperature: -20°C to +85°C
- Environmental: Lead free, RoHS compliant.
- Recommended soldering temp: 260°C for 5 sec.

ADAM TECH

909 Rahway Avenue, Union, NJ 07083
 Phone: 908-687-5000 Fax: 908-687-5710

TITLE: MICRO USB 3.0 AB TYPE, FEMALE, 10PIN, SMT

UNLESS OTHERWISE SPECIFIED ALL DIMENSIONS ARE IN INCHES [MM]	
TOLERANCES: EXCEPT AS NOTED	
INCHES	HOLDS
.X ± .10	ØX ± .10
.XX ± .020	ØXXX ± .015
.XXX ± .015	ØXXX ± .010
APPROVALS	DATE
DRAWN AY	10/11/11
CHECKED RC	10/11/11
APPROVED	

SIZE	PART NO.	REV.
X	MCR-AB3-RA-SMT-15	
REF: S0020T	SCALE: NTS	SHEET 1 OF 1

A

B

C

D

A

B

C

D

6

5

4

3

2

1



X-ON Electronics

Largest Supplier of Electrical and Electronic Components

Click to view similar products for [USB Cables / IEEE 1394 Cables](#) category:

Click to view products by [Adam](#) manufacturer:

Other Similar products are found below :

[68768-0173](#) [FNY-W6003-01](#) [88764-0800](#) [13805532](#) [148700-1](#) [17-200621](#) [17-250051P](#) [954](#) [AC102012-2](#) [IP-USB1\(C10\)S-RW](#)
[CABLE/RTP/USB/DT](#) [0847290003](#) [10115240-12200LF](#) [RS232-GTD](#) [USBFTVX2SA2N03A](#) [USBFTV2SA2N03A](#) [1689404-1](#) [FTP-](#)
[629Y401](#) [FTP-628Y402](#) [943301-001](#) [FNY-W6022](#) [FNY-W6003-03](#) [1310-1015-05](#) [1310-1019-04](#) [0887283402](#) [UA-30AMFM-SL7B02](#) [UA-](#)
[30AMFM-SL7B01](#) [UA-30AFM-LD7B03](#) [UA-30AMFM-SL7B03](#) [USBAPSCC7202A](#) [UES-1001A160](#) [UES-1003A160](#)
[USBFTVX7SA2N20A](#) [USBFTVX2SA2N20A](#) [USBFTV2PEMSA2N10A](#) [FTP-629Y602](#) [USBCAMCM100](#) [USB A/F*2 to 2.54 2*5P-SH](#)
[L=400mm](#) [EP-CBUSB10P2FLT](#) [1310-1033-01](#) [1310-1037-04](#) [ASR-USB](#) [68784-0075](#) [17-241361](#) [17-230471](#) [217B-BC02](#) [USB-29](#) [19800-](#)
[010500-200-RS](#) [USB+MINI DIN 6P WITH BKT](#) [088738-8100](#)