

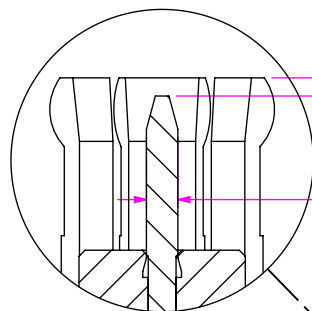
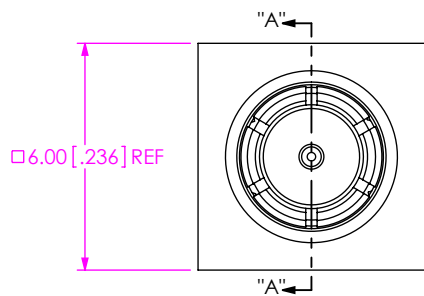
DO NOT SCALE FROM THIS PRINT

DESIGNED & DIMENSIONED IN MILLIMETERS [INCHES]

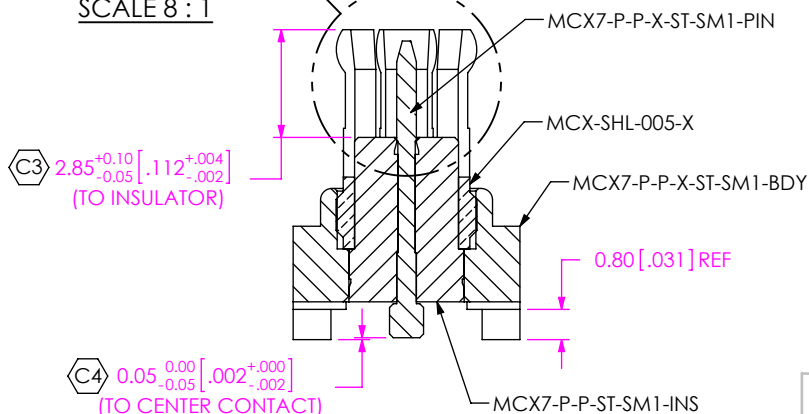
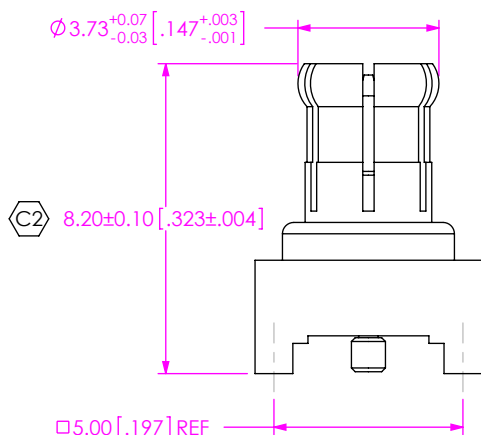
MCX7-P-P-XX-ST-SM1

GENDER: P: PLUG
 TYPE: P: PCB
 TERMINATION: -SMT: SURFACE MOUNT
 ORIENTATION: -ST: STRAIGHT

PLATING SPECIFICATION
 -HN: HEAVY GOLD/NICKEL (SEE NOTE 6 & 7)
 (MCX7-P-P-H-ST-SM1-PIN)
 (MCX7-SHL-005-F)
 (MCX7-P-P-ST-SM1-INS)
 (MCX7-P-P-N-ST-SM1-BDY)
 -H: HEAVY GOLD (SEE NOTE 6 & 7)
 (MCX7-P-P-H-ST-SM1-PIN)
 (MCX7-SHL-005-F)
 (MCX7-P-P-ST-SM1-INS)
 (MCX7-P-P-F-ST-SM1-BDY)



DETAIL 'B'
SCALE 8 : 1



SECTION "A"-"A"

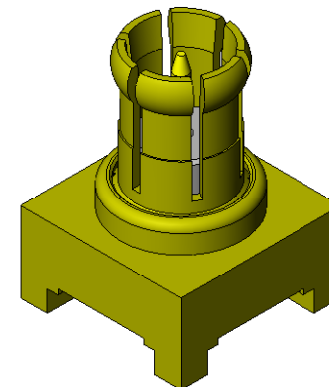
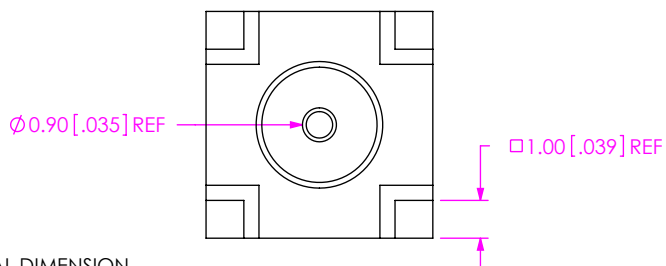
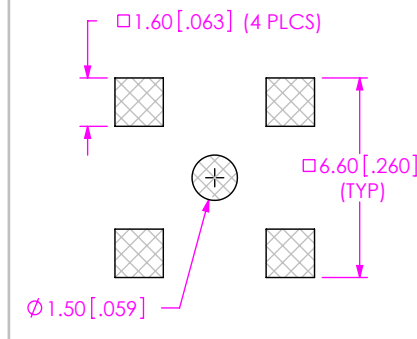


FIG.1
MCX7-P-P-XX-ST-SM1 SHOWN



RECOMMENDED PCB LAYOUT



NOTES:

- Ⓢ REPRESENTS A CRITICAL DIMENSION.
- PUSHOUT FORCE FOR INSULATOR: 20 N [4.5 LB] MIN.
- PUSHOUT FORCE FOR CENTER CONTACT: 10 N [2.25 LB] MIN.
- PARTS TO BE PACKAGED IN TRAYS; IF QUANTITY IS LESS THAN HALF TRAY, PARTS TO BE PACKAGED IN COHESIVE FOAM.
- RoHS COMPLIANT.
- COMPONENT PLATING DESIGNATIONS:
 -H: 0.000030" MIN. GOLD OVER 0.000050" MIN. NICKEL.
 -F: 0.000003" MIN. GOLD OVER 0.000050" MIN. NICKEL.
 -N: 0.000100" MIN. NICKEL.
- ASSEMBLY PLATING DESIGNATIONS:
 -HN: (CENTER CONTACT)-H:
 (OUTER CONTACT)-F:
 (REMAINING METAL PARTS)-N:
 -H: (CENTER CONTACT)-H:
 (OUTER CONTACT)-F:
 (REMAINING METAL PARTS)-F:

Pb THIS PRODUCT MANUFACTURED WITH LEAD-FREE PROCESSING

F:\DWG\MISC\Mktg\MCX7-P-P-XX-ST-SM1-MKT.SLDDRW

UNLESS OTHERWISE SPECIFIED, DIMENSIONS ARE IN MILLIMETERS.
 TOLERANCES ARE:
 DECIMALS ANGLES
 .X: ±0.3 [.01] 2°
 .XX: ±0.13 [.005]
 .XXX: ±0.051 [.0020]

PROPRIETARY NOTE
 THIS DOCUMENT CONTAINS INFORMATION CONFIDENTIAL AND PROPRIETARY TO SAMTEC, INC. AND SHALL NOT BE REPRODUCED OR TRANSFERRED TO OTHER DOCUMENTS OR DISCLOSED TO OTHERS OR USED FOR ANY PURPOSE OTHER THAN THAT WHICH IT WAS OBTAINED WITHOUT THE EXPRESSED WRITTEN CONSENT OF SAMTEC, INC.

MATERIAL: DO NOT SCALE DRAWING SHEET SCALE: 5:1
 SHELL, BODY: BRASS
 CONTACT: COPPER ALLOY
 DIELECTRIC: PTFE



520 PARK EAST BLVD, NEW ALBANY, IN 47150
 PHONE: 812-944-6733 FAX: 812-948-5047
 e-Mail: info@SAMTEC.com code: 55322

DESCRIPTION: MCX STRAIGHT, SURFACE MOUNT PLUG- 75 OHM

DWG. NO. MCX7-P-P-XX-ST-SM1

BY: R MUSSER 11/30/2007 SHEET 1 OF 1

X-ON Electronics

Largest Supplier of Electrical and Electronic Components

Click to view similar products for [RF Connectors / Coaxial Connectors](#) category:

Click to view products by [Samtec](#) manufacturer:

Other Similar products are found below :

[R125315120](#) [8915-1511-000](#) [89674-0827](#) [5916-1103-603](#) [0106-001-000](#) [6-0001-3](#) [6001-7071-019](#) [6002-7051-003](#) [6002-7551-202](#) [6059674-1](#) [619550-1](#) [630059-000](#) [M39012/25-0021](#) [M39012/79-3008](#) [M39030/3-01N](#) [M39030/3-03N](#) [M3933/25-29N](#) [M3933/25-36N](#) [6500-7071-046](#) [6501-1071-002](#) [M83723/72W24576](#) [M83723/72W2457N](#) [6769](#) [CX050L2AQ](#) [7002-1541-010](#) [7003-1572-002](#) [7004-1512-000](#) [7009-1511-004](#) [7010-1511-000](#) [7029-1511-060](#) [7101-1541-010](#) [7101-1571-002](#) [7105-1521-002](#) [7145-1521-002](#) [7209-1511-011](#) [7210-1511-012](#) [7210-1511-015](#) [7210-1511-019](#) [7210-1511-040](#) [7225-1512-050](#) [7242-1511-000](#) [73137-5015](#) [73251-0111](#) [73251-0672](#) [73276-1501](#) [73366-0013](#) [73404-2300](#) [73413-6080](#) [734151610](#) [73415-5721](#)