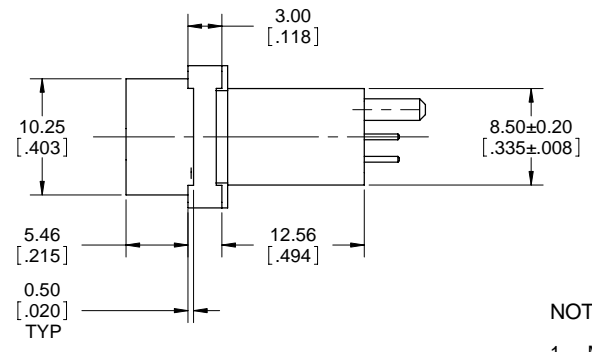
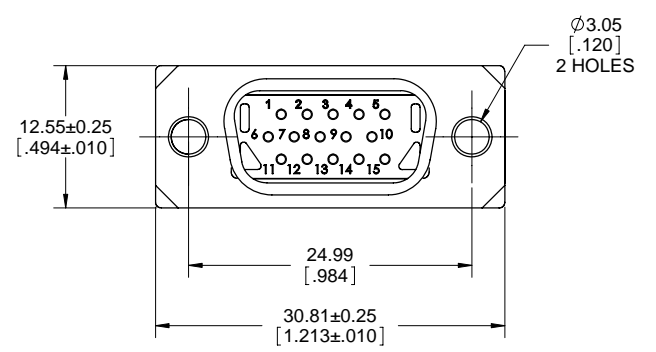
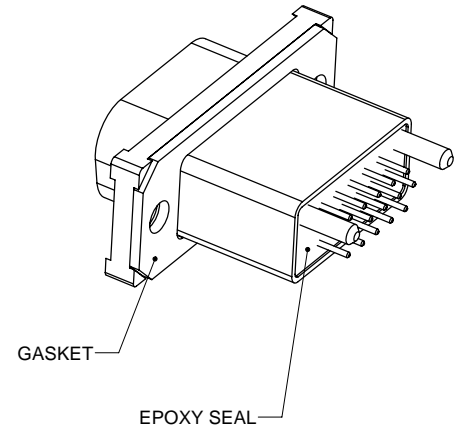
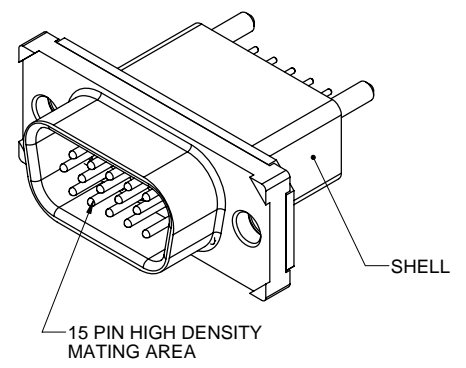
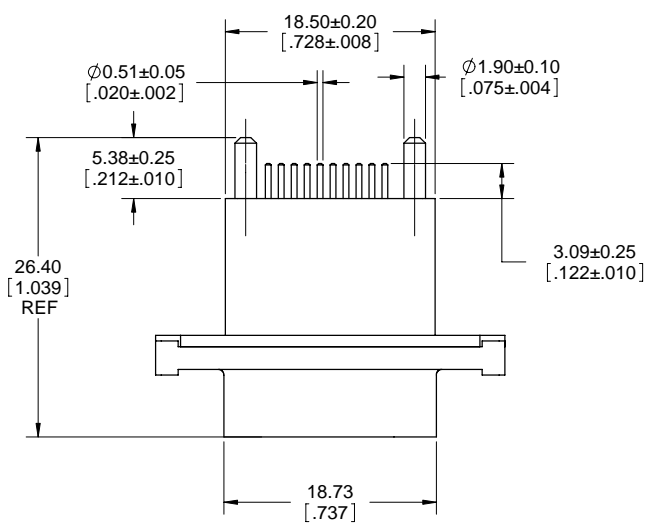
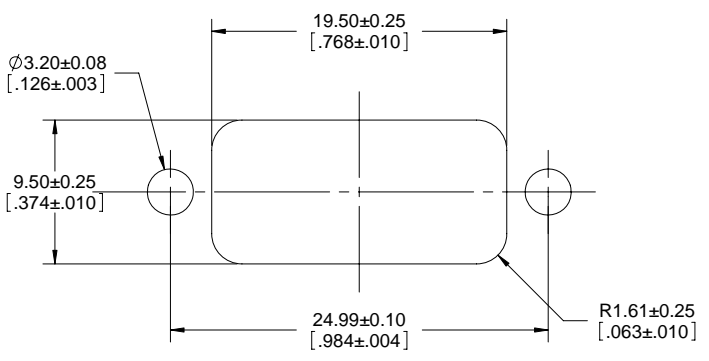
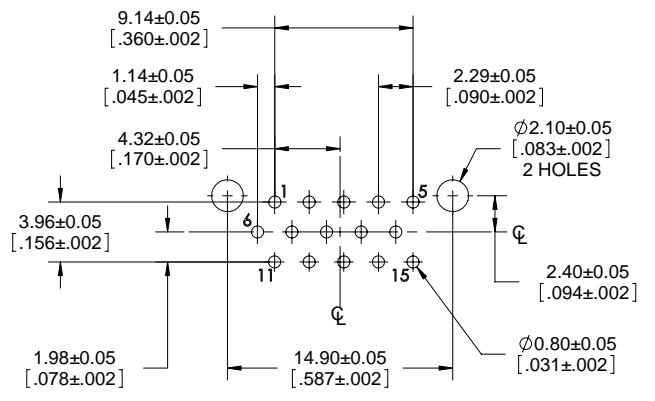


REVISIONS			
REV	DESCRIPTION, ECN, EAR NO.	DATE	APP'D
B	PROPOSAL DRAWING (EAR 13734)	JUL06/10	K.L



NOTES:

- MATERIAL: ALL MATERIALS ARE RoHS COMPLIANT PER EU DIRECTIVE 2002/95/EC AND AMENDMENTS
 - SHELL: DIECAST ZINC ALLOY, 1.27µm [50µ"] MIN. NICKEL PLATING
 - CONTACTS: COPPER ALLOY WITH 0.76 µm [30 µ"] MIN. GOLD OVER 1.27 µm [50 µ"] MIN. NICKEL PLATING
 - INSULATOR: HIGH TEMPERATURE RESISTANT THERMOPLASTIC, FLAMMABILITY RATING UL 94V-0, BLACK
 - GASKET: SILICONE RUBBER, BLACK
- ENVIRONMENTAL PERFORMANCE PER IEC 60529 CODE IP67 FOR SEAL BETWEEN MATING AREA AND PCB SIDE OF CONNECTOR. GASKET PROVIDES SEAL TO OUTSIDE FACE OF THE PANEL.
- CURRENT RATING: 3 AMPERES
- DIELECTRIC WITHSTANDING VOLTAGE: 2000 VDC AT SEA LEVEL
- OPERATING TEMPERATURE: -40°C TO +105°C



APHENOL PART NUMBER: MDB-E15PE-766

**RECOMMENDED P.C.B LAYOUT
(COMPONENT SIDE OF BOARD)**

**RECOMMENDED PANEL CUTOUT
(FRONT PANEL MOUNT)**

UNLESS SPECIFIED OTHERWISE	DRAWN	A.CHURCH	JUN28/10
PRIMARY UNITS MILLIMETERS	CHECKED	K.LAMBIE	JUN29/10
SECONDARY INCHES	M.E. APP'D		
REFERENCE IN PARENTHESES	Q.A. APP'D		
GENERAL TOLERANCES	DWG APPR.		
1 DECIMAL PLACE	ENG. REL. NO.	EAR 13734	
2 DECIMAL PLACES ±0.15	REF.		
3 DECIMAL PLACES	THIRD ANGLE PROJECTION		
ANGULAR DEGREES	DO NOT SCALE DRAWING		

Amphenol Canada Corp.

MDB SERIES RUGGED D-SUB CONNECTOR, 15 POSITION HIGH DENSITY, PIN CONTACTS, VERTICAL MOUNT, RoHS COMPLIANT

DWG. NO.	REV
P-MDB-E15PE-766	B
CODE ID NO. 03554	DWG SIZE: C
SCALE: 3:1	SHEET 1 OF 1