



**HIGH DENSITY MOUNTING
PHOTOTRANSISTOR
OPTICALLY COUPLED ISOLATORS**

APPROVALS

- UL recognised, File No. E91231

DESCRIPTION

The TLP521, TLP521-2, TLP521-4 series of optically coupled isolators consist of infrared light emitting diodes and NPN silicon photo transistors in space efficient dual in line plastic packages.

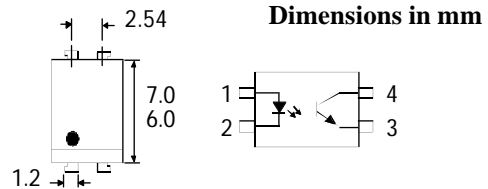
FEATURES

- Options :-
10mm lead spread - add G after part no.
Surface mount - add SM after part no.
Tape&reel - add SMT&R after part no.
- High Current Transfer Ratio (50% min)
- High Isolation Voltage (5.3kV_{RMS}, 7.5kV_{PK})
- High BV_{CEO} (55Vmin)
- All electrical parameters 100% tested
- Custom electrical selections available

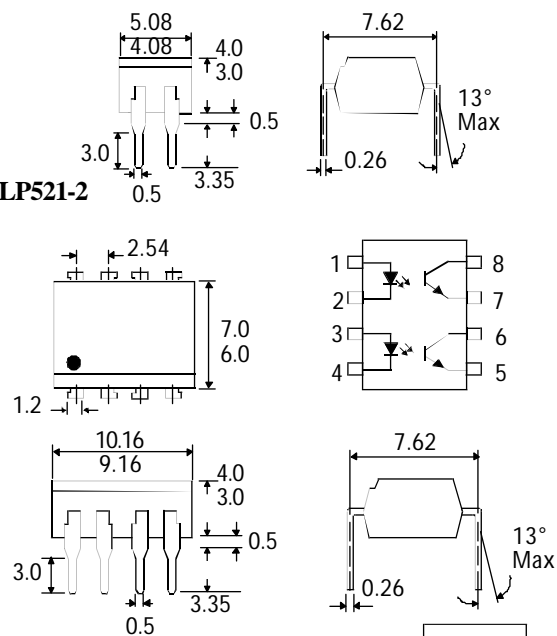
APPLICATIONS

- Computer terminals
- Industrial systems controllers
- Measuring instruments
- Signal transmission between systems of different potentials and impedances

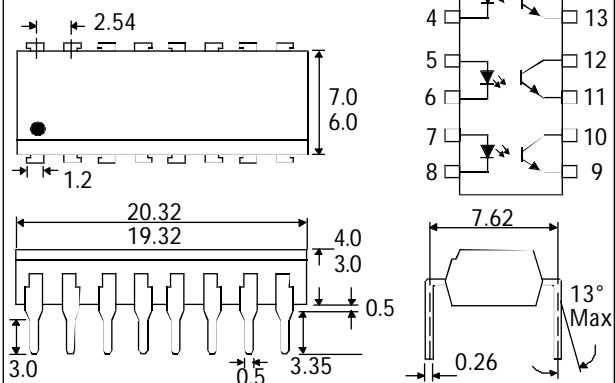
TLP521



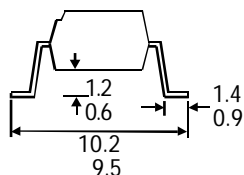
TLP521-2



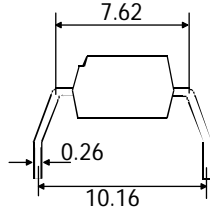
TLP521-4



**OPTIONSM
SURFACE MOUNT**



OPTIONG



ISOCOM COMPONENTS LTD
Unit 25B, Park View Road West,
Park View Industrial Estate, Brenda Road
Hartlepool, Cleveland, TS25 1YD
Tel: (01429) 863609 Fax :(01429) 863581

ISOCOM INC
720 E., Park Boulevard, Suite 104,
Plano, TX 75074 USA
Tel: (972) 423-5521
Fax: (972) 422-4549

ABSOLUTE MAXIMUM RATINGS
(25°C unless otherwise specified)

| | | |
|---|-------|------------------|
| Storage Temperature | _____ | -55°C to + 125°C |
| Operating Temperature | _____ | -55°C to + 100°C |
| Lead Soldering Temperature | | |
| (1/16 inch (1.6mm) from case for 10 secs) | | 260°C |

INPUT DIODE

| | | |
|-------------------|-------|------|
| Forward Current | _____ | 50mA |
| Reverse Voltage | _____ | 5V |
| Power Dissipation | _____ | 70mW |

OUTPUT TRANSISTOR

| | | |
|--------------------------------------|-------|-------|
| Collector-emitter Voltage BV_{CEO} | _____ | 55V |
| Emitter-collector Voltage BV_{ECO} | _____ | 6V |
| Power Dissipation | _____ | 150mW |

POWER DISSIPATION

| | | |
|--|-------|-------|
| Total Power Dissipation | _____ | 200mW |
| (derate linearly 2.67mW/°C above 25°C) | | |

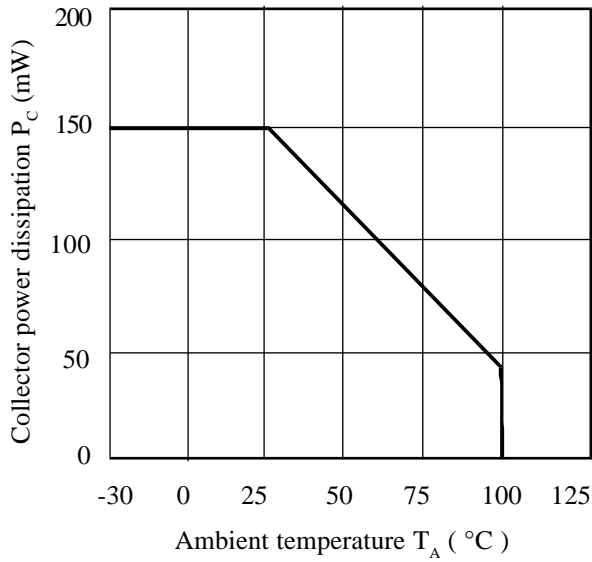
ELECTRICAL CHARACTERISTICS ($T_A = 25^\circ\text{C}$ Unless otherwise noted)

| PARAMETER | | MIN | TYP | MAX | UNITS | TEST CONDITION | |
|--------------------|--|--------------------|------|---------------|---|---|--|
| Input | Forward Voltage (V_F) | 1.0 | 1.15 | 1.3 | V | $I_F = 10\text{mA}$ $I_R = 10\mu\text{A}$ $V_R = 5\text{V}$ | |
| | Reverse Voltage (V_R) | 5 | | | V | | |
| | Reverse Current (I_R) | | | 10 | μA | | |
| Output | Collector-emitter Breakdown (BV_{CEO}) (Note 2) | 55 | | | V | $I_C = 0.5\text{mA}$ $I_E = 100\mu\text{A}$ $V_{CE} = 24\text{V}$ | |
| | Emitter-collector Breakdown (BV_{ECO}) | 6 | | | V | | |
| | Collector-emitter Dark Current (I_{CEO}) | | | 100 | nA | | |
| Coupled | Current Transfer Ratio (CTR) (Note 2) | | | | | $5\text{mA } I_F, 5\text{V } V_{CE}$ | |
| | TLP521, TLP521-2, TLP521-4 | 50 | | 600 | % | | |
| | CTR selection available BL | 200 | | 600 | % | | |
| | GB | 100 | | 600 | % | | |
| | GB | 30 | | | | % | $1\text{mA } I_F, 0.4\text{V } V_{CE}$ |
| | Collector-emitter Saturation Voltage $V_{CE(SAT)}$ | | | 0.4 | V | | |
| | -GB | | | 0.4 | V | | |
| | Input to Output Isolation Voltage V_{ISO} | 5300 | | | V_{RMS} | | |
| | | 7500 | | | V_{PK} | | |
| | Input-output Isolation Resistance R_{ISO} | 5×10^{10} | | | Ω | | |
| Rise Time tr | | 2 | | μs | $V_{IO} = 500\text{V}$ (note 1) $V_{CC} = 10\text{V}$, $I_C = 2\text{mA}, R_L = 100\Omega$ | | |
| Fall Time tf | | 3 | | μs | | | |
| Turn-on Time ton | | 3 | | μs | | | |
| Turn-off Time toff | | 3 | | μs | | | |

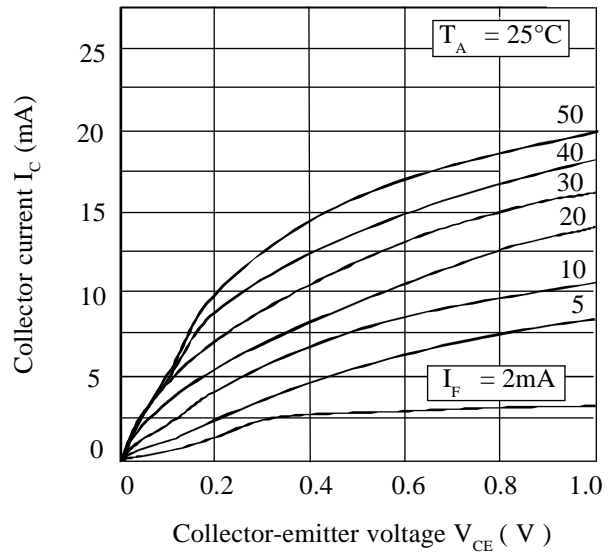
Note 1 Measured with input leads shorted together and output leads shorted together.

Note 2 Special Selections are available on request. Please consult the factory.

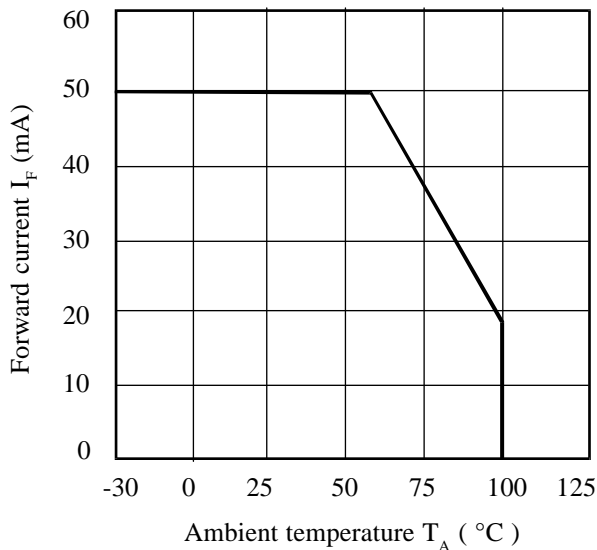
Collector Power Dissipation vs. Ambient Temperature



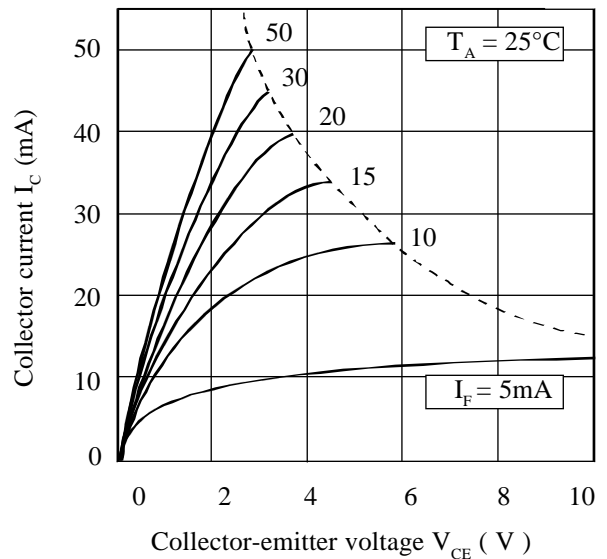
Collector Current vs. Low Collector-emitter Voltage



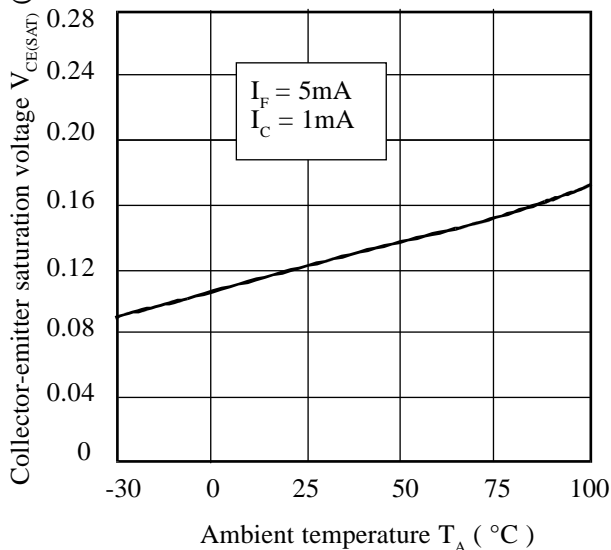
Forward Current vs. Ambient Temperature



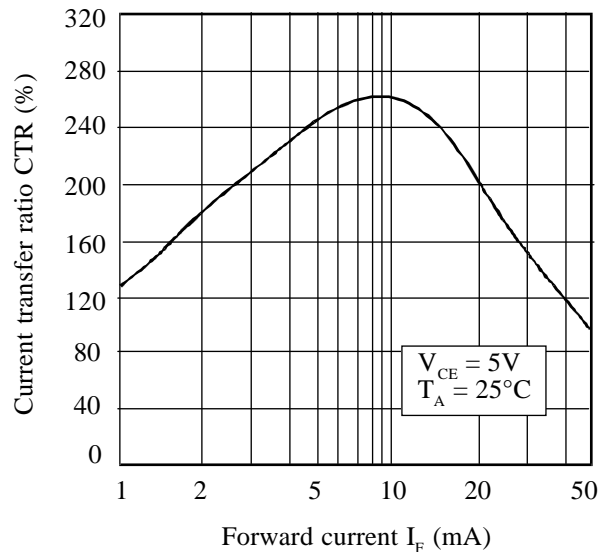
Collector Current vs. Collector-emitter Voltage



Collector-emitter Saturation Voltage vs. Ambient Temperature



Current Transfer Ratio vs. Forward Current



X-ON Electronics

Largest Supplier of Electrical and Electronic Components

Click to view similar products for [MOSFET Output Optocouplers](#) category:

Click to view products by [Isocom](#) manufacturer:

Other Similar products are found below :

[TLP3131\(F\)](#) [TLP598GAF](#) [CPC2014NTR](#) [TLP4026G\(F\)](#) [LTV-817S-B](#) [CPC2017NTR](#) [TLP152\(TPL,E\(T](#) [PS2505L-4-E3-A](#) [TLP3106A\(TP,F](#)
[TLP3107A\(F](#) [TLP3106A\(F](#) [TLP4176A\(F](#) [TLP3149\(F](#) [TLP3147\(F](#) [TLP3145\(F](#) [TLP3146\(F](#) [TLP3149\(TP,F](#) [H11AV1XSM](#) [CNY17-1-000E](#)
[CNY17-1-300E](#) [CNY17-1S](#) [CNY17-2-000E](#) [CNY17-2S](#) [CNY173SR2VM](#) [CNY17-4-000E](#) [HCPL-181-06DE](#) [HCPL-J312-000E](#) [LTV-3120S-](#)
[TA1](#) [LTV-817-L](#) [LTV-817M-D](#) [LTV-817S-A](#) [TIL111](#) [TIL191](#) [MCT6X](#) [MCT6XSM](#) [TLP170A\(F\)](#) [TLP170G\(F\)](#) [TLP197GA\(F\)](#)
[TLP197G\(TP,F\)](#) [TLP222A-2\(LF1,F\)](#) [TLP291\(GR-TP.E\(O](#) [TLP597A\(F\)](#) [TLP797J\(F\)](#) [4N35X](#) [4N35XSM](#) [MOC213M](#) [HMHA2801R2](#) [ILQ2X](#)
[IS357A](#) [ISP521-1X](#)