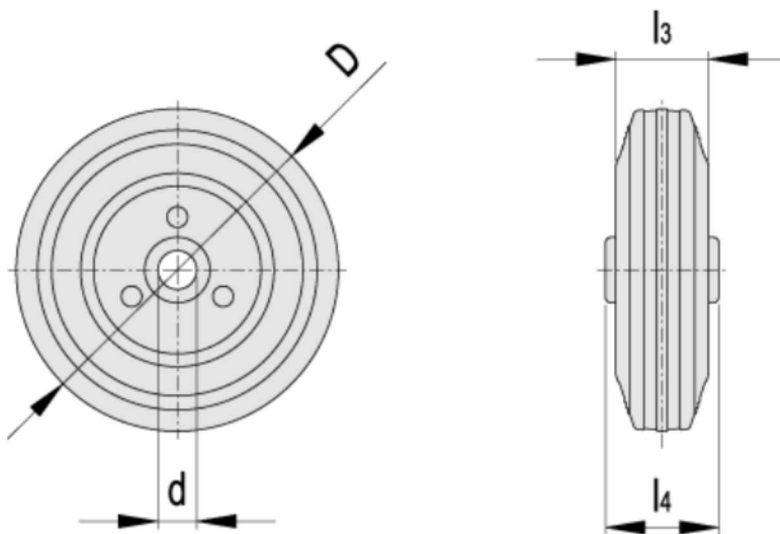


# RE.E3

Vulcanised rubber wheels



## technical informations

### Covering with tread

Vulcanised rubber; hardness 83 Shore A.

### Wheel centre body

Consisting of two zinc-plated and riveted sheet disks.

### Hub

Polyamide-based technopolymer (PA) boss. Resistant to solvents, oils, greases and other chemical agents.

### Applications

RE.E3 wheel may be mounted on different kind of trolleys, with medium-light loads; it is also suitable for outdoor use. Typical applications: trolleys for industrial moving, for outdoor use also, waste dumpsters. See [Technical Data](#) for Selection Parameters.

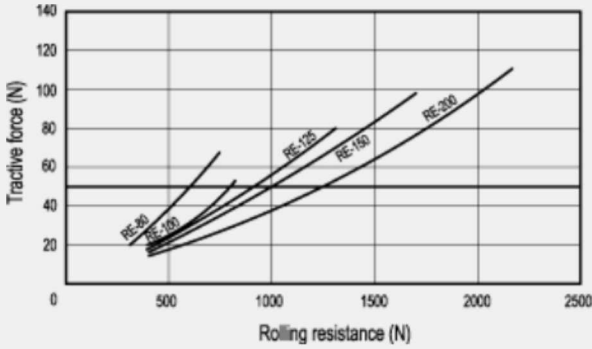
### Environmental conditions

Suitable for use in humid environments and in the presence of atmospheric agents; use in environments with the presence of organic, chlorinated solvents, hydrocarbons and mineral oils is not recommended.

### Rolling resistance - force / load applied

The diagram shows the force to be applied to a wheel to keep it moving at the constant speed of 4 km/h, according to the applied load.

The intersection point with a 50N value is the maximum transportable load with a manually actuated 4-wheel trolley; in fact, 200N = 50N x 4 wheels is the maximum force that may be supported by the operator according to the regulations in force regarding work safety.



### Mechanical moving with towing devices

For mechanical towing, please see the technical specifications to determine the capacity variation.

### Temperature

If operating temperatures in an application differ from the standard range of values, please see the technical specifications to determine the capacity variation.

RE.E3 wheels are also supplied with steel sheet bracket ([RE.E3-N](#)).

Standard Elements		Main dimensions				Static load #	Rolling resistance #	Dynamic carrying capacity #	Weight
Code	Description	D	d	I <sub>3</sub>	I <sub>4</sub>	[N]	[N]	[N]	g
450001	RE.E3-080-RBL	80	12	25	39	2600	600	650	170
450006	RE.E3-100-RBL	100	12	30	44	3000	750	800	280
450012	RE.E3-125-RBL	125	15	37.5	44	3300	850	1300	510
450016	RE.E3-150-RBL	150	15	40	44	3500	1000	1700	730
450022	RE.E3-200-RBL	200	20	50	58	4100	1400	2300	1750

# See [Technical Data](#) for static load, rolling resistance and dynamic carrying capacity.



ELESA and GANTER models all rights reserved in accordance with the law. Always mention the source when reproducing our drawings.

STANDARD MACHINE ELEMENTS WORLDWIDE

# X-ON Electronics

Largest Supplier of Electrical and Electronic Components

*Click to view similar products for [Mounting Fixings](#) category:*

*Click to view products by [Elesa & Ganter](#) manufacturer:*

Other Similar products are found below :

[5912235-1 REV](#) - [5912235-2](#) [007310](#) [007541](#) [6-141-P](#) [620HA038NF09](#) [620HA038NF11](#) [CTJ420E028-513](#) [M81714/60-12-01](#) [M81714/60-22-01](#)  
[L/C](#) [MA1EAF1200](#) [70-584649-01P](#) [71-074914-006](#) [712HA170B23128-N](#) [71-344699-4S](#) [71-441549-19S](#) [71-441864-5S](#) [71-490451-4H](#) [EX-13-3-B-](#)  
[16-325PN](#) [75-69116-8S](#) [75-69211-3P](#) [75-69220-27S](#) [75-69224-5S](#) [75-69614-2S](#) [770-006A109](#) [770-006A109R](#) [770-006A207](#) [770-006A208W1](#)  
[770-006A209](#) [770-006A306](#) [770-006A703W1](#) [770-006A704](#) [770-006A704W1](#) [770-006A705](#) [770-006A706](#) [770-006A706W1](#) [770-006A707](#) [770-](#)  
[006A709](#) [770-007A203](#) [770-007A203W1](#) [770-007A204W1](#) [770-007A207W1](#) [770-007A703](#) [770-007A704W1](#) [770-007A706](#) [770-007A707W1](#)  
[770-010Y208](#) [770-010Y308](#) [770-010Y705](#) [770-010Y706](#)