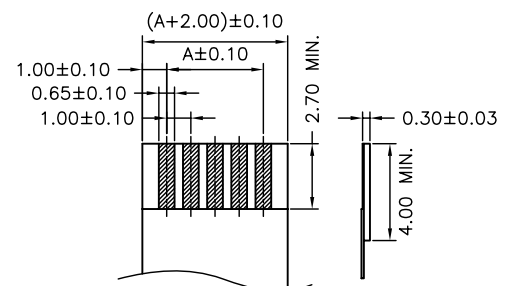
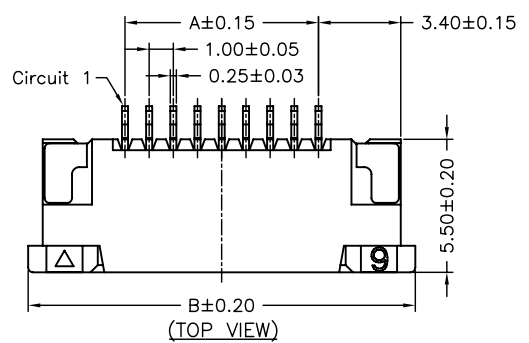


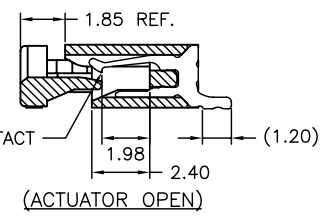
SUGGESTED PCB LAYOUT (TOP VIEW)



RECOMMENDED FFC/FPC DIMENSION

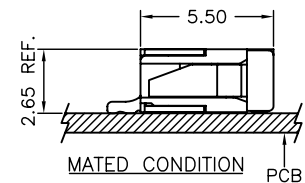
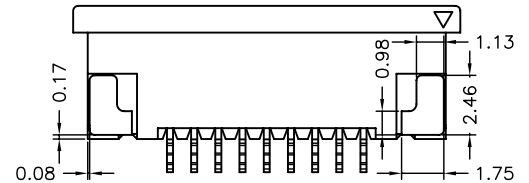
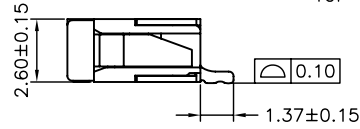


(TOP VIEW)



TOP CONTACT

(ACTUATOR OPEN)



MATED CONDITION

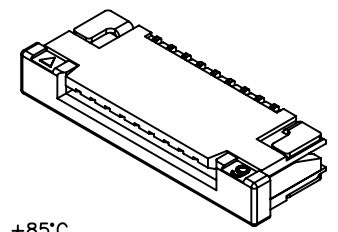
PCB

Ordering code

F1003 **WR**-**S**-**XP** **XXX**

① ② ③ ④ ⑤

① Series No.
 ② Connector type: WR=Right angle
 ③ Mounting type: S=SMT without boss
 ④ No. of circuits
 ⑤ Option code:
 T=Top contact style
 Contacts/Matte Tin-plated
 Solder tabs/Matte Tin-plated
 DT1=Top contact style
 Contacts/Gold-flash
 Solder tabs/Gold-flash



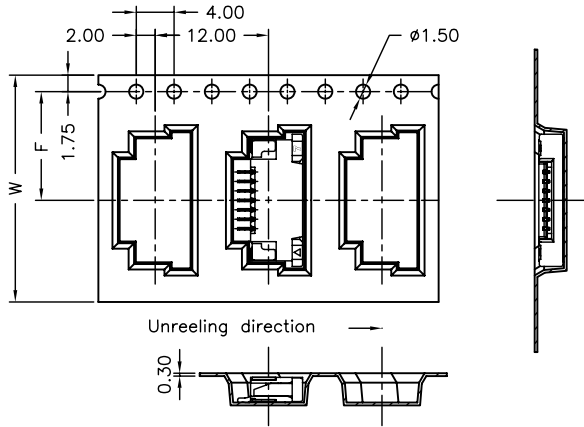
SPECIFICATIONS

Current Rating: 0.5A AC,DC
 Voltage Rating: 50V AC,DC
 Temperature Range: -40°C ~ +85°C
 Contact Resistance: 30mΩ Max.
 Insulation Resistance: 500MΩ Min.
 Withstanding Voltage: 500V AC/minute
 Contacts: Phosphor Bronze/Matte Tin-plated or Gold-flash
 Solder Tabs: Brass/Matte Tin-plated or Gold-flash
 Housing: Nylon 6T,UL94V-0,Natural(Beige)
 Actuator: Nylon 6T,UL94V-0,Natural(Black)

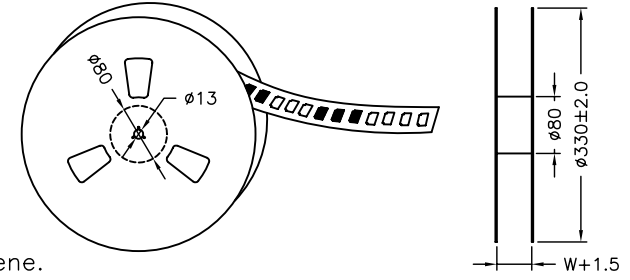
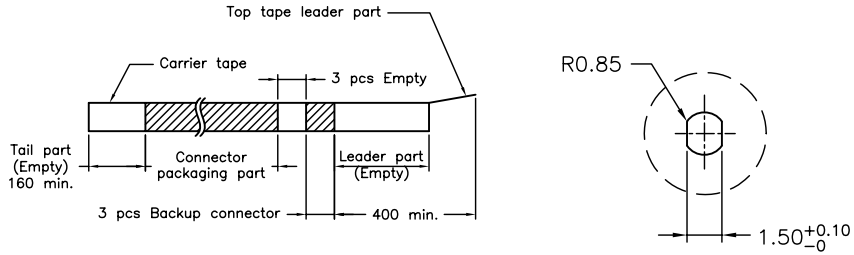
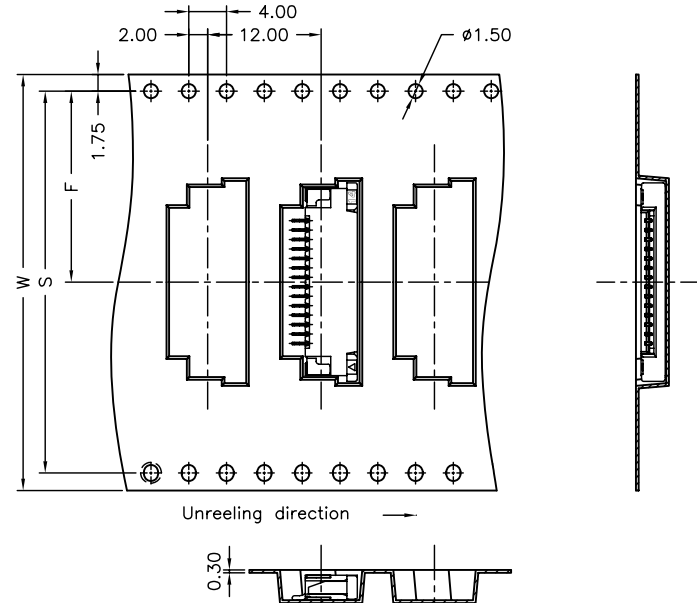
Circuit No.	Dimensions			Circuit No.	Dimensions		
	A	B	C		A	B	C
04P	3.00	11.00	5.10	20P	19.00	27.00	21.10
05P	4.00	12.00	6.10	21P	20.00	28.00	22.10
06P	5.00	13.00	7.10	22P	21.00	29.00	23.10
07P	6.00	14.00	8.10	23P	22.00	30.00	24.10
08P	7.00	15.00	9.10	24P	23.00	31.00	25.10
09P	8.00	16.00	10.10	25P	24.00	32.00	26.10
10P	9.00	17.00	11.10	26P	25.00	33.00	27.10
11P	10.00	18.00	12.10	27P	26.00	34.00	28.10
12P	11.00	19.00	13.10	28P	27.00	35.00	29.10
13P	12.00	20.00	14.10	29P	28.00	36.00	30.10
14P	13.00	21.00	15.10	30P	29.00	37.00	31.10
15P	14.00	22.00	16.10	31P	30.00	38.00	32.10
16P	15.00	23.00	17.10	32P	31.00	39.00	33.10
17P	16.00	24.00	18.10	33P	32.00	40.00	34.10
18P	17.00	25.00	19.10	34P	33.00	41.00	35.10
19P	18.00	26.00	20.10				

					JOINT TECH ELECTRONIC IND. CO., LTD.	
			UNIT	SCALE	SHEET	TITLE:
B0	EN0911030531	2009.11.03	mm		1 of 2	1.00mm PITCH FFC/FPC CONNECTOR, 90° SMT TYPE, ZIF, TOP CONTACT STYLE
A5	REVISE	2009.06.16	DRAWN BY		APPROVED BY	
A4	REVISE	2009.06.09	李勤		董正一	
A3	REVISE	2009.04.30	2006.03.09		2006.03.09	
A2	REVISE	2006.12.07	GENERAL TOLERANCE			
A1	REVISE	2006.04.26	X.X±0.25	ANGLE±		
A0	NEW RELEASE	2006.03.09	X.XX±0.15			
REV.	DESCRIPTION	DATE	X.XXX±0.05			DRAW NO. : F1003WR-S-XPT

04~07 Contacts



08~34 Contacts



Number of Contacts	W±0.3	F±0.1	S±0.1	Q'ty/Reel	Number of Contacts	W±0.3	F±0.1	S±0.1	Q'ty/Reel
04P	24	11.50	/	1,500	20P	44	20.20	40.40	1,500
05P	24	11.50		1,500	21P	44	20.20	40.40	1,500
06P	24	11.50		1,500	22P	44	20.20	40.40	1,500
07P	24	11.50		1,500	23P	44	20.20	40.40	1,500
08P	32	14.20	28.40	1,500	24P	44	20.20	40.40	1,500
09P	32	14.20	28.40	1,500	25P	44	20.20	40.40	1,500
10P	32	14.20	28.40	1,500	26P	56	26.20	52.40	1,500
11P	32	14.20	28.40	1,500	27P	56	26.20	52.40	1,500
12P	32	14.20	28.40	1,500	28P	56	26.20	52.40	1,500
13P	44	20.20	40.40	1,500	29P	56	26.20	52.40	1,500
14P	44	20.20	40.40	1,500	30P	56	26.20	52.40	1,500
15P	44	20.20	40.40	1,500	31P	56	26.20	52.40	1,500
16P	44	20.20	40.40	1,500	32P	56	26.20	52.40	1,500
17P	44	20.20	40.40	1,500	33P	56	26.20	52.40	1,500
18P	44	20.20	40.40	1,500	34P	56	26.20	52.40	1,500
19P	44	20.20	40.40	1,500					

NOTE:
Material: Transparent
Anti-static Polystyrene.

燦達電子工業股份有限公司 JOINT TECH ELECTRONIC IND. CO., LTD.			
UNIT	SCALE	SHEET	TITLE:
mm		2 of 2	1.00mm PITCH FFC/FPC
DRAWN BY		APPROVED BY	
李勤		董正一	
2006.03.09		2006.03.09	
GENERAL TOLERANCE			
A3	EN0911030531	2009.11.03	ZIF, TOP CONTACT STYLE, TAPING SPEC.
A2	REVISE	2006.12.07	
A1	REVISE	2006.04.26	
A0	NEW RELEASE	2006.03.09	
REV.	DESCRIPTION	DATE	DRAW NO.: F1003WR-S-XPT REV. A3

X-ON Electronics

Largest Supplier of Electrical and Electronic Components

Click to view similar products for [FFC & FPC Connectors](#) category:

Click to view products by [Joint manufacturer](#):

Other Similar products are found below :

[HFW11R-1STE1H1LF](#) [FH29B-100S-0.2SHW\(99\)](#) [FA5S008HP1](#) [FH29B-120S-0.2SHW\(99\)](#) [FH29B-80S-0.2SHW\(99\)](#) [FHS-16](#) [FPH-2022G](#)
[52610-1075](#) [52610-1275](#) [52610-1934](#) [XF3M\(1\)-1415-1B-R100](#) [501864-3091-TR225](#) [0525594033](#) [086210010340800](#) [086222026001800](#)
[52271-2869-CUT-TAPE](#) [62674-201121DLF](#) [62684-36210E9ALF](#) [52610-1675](#) [52746-1671-TR250](#) [10051922-2810EHLF](#) [6-520415-9](#)
[BD021-09A-A1-0350-0200-0550-LD](#) [SFV6R-1STE9HLF](#) [XF3M-2915-1B-R100](#) [1658549-1](#) [62674-221121ALF](#) [46214008010800](#)
[046298003000883](#) [151660622](#) [842-816-2630-035](#) [AYF530665TA](#) [AYF351525](#) [046296011930846+](#) [AYF352325A](#) [046254020000800+](#)
[FH19C-13S-0.5SH\(99\)](#) [FH39J-51S-0.3SHW\(99\)](#) [AYF355125A](#) [AYF530365TA](#) [FH29B-44S-0.2SHW\(99\)](#) [SFW5R-2STAE9LF](#) [AYF351125A](#)
[AYF350725A](#) [62684-502100AHLF](#) [FH39-61S-0.3SHW\(99\)](#) [AYF414035A](#) [10064555-172520HLF](#) [AYF212335A](#) [504754-2500](#)