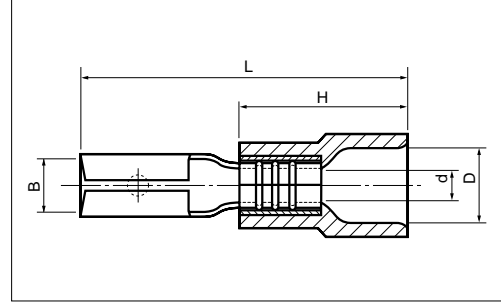


# QUICK-DISCONNECTS



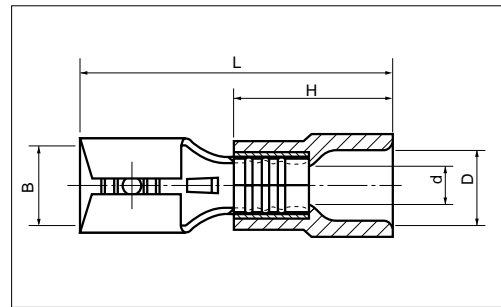
110 SERIES



**TMEDV** : Vinyl  
**TMEDN** : Nylon

PART NUMBER	DIMENSIONS mm					MATING TAB THICKNESS mm	WIRE RANGE		TOOL No.		STD QTY/BOX
	B	L	d	D	H		STRANDED mm <sup>2</sup>	AWG	HAND TOOL No.		
									TOOL BODY No.	DIES No.	
<b>TMEDV</b> 280509-F ○	3.2	19.5	1.8	4.1	10.0	0.5	0.75 ~ 1.25	18-16	NH 11	N10 11	1,000 (100 x 10)
<b>TMEDN</b> 280809-F ○						0.8			NA 10		

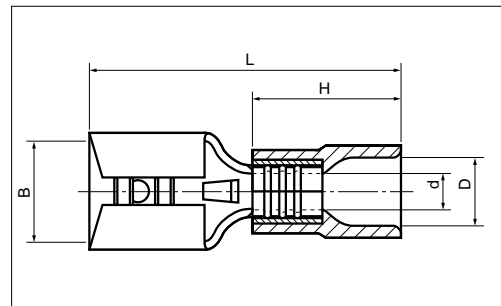
187 SERIES



**TMEDV** : Vinyl  
**TMEDN** : Nylon

PART NUMBER	DIMENSIONS mm					MATING TAB THICKNESS mm	WIRE RANGE		TOOL No.		STD QTY/BOX
	B	L	d	D	H		STRANDED mm <sup>2</sup>	AWG	HAND TOOL No.		
									TOOL BODY No.	DIES No.	
<b>TMEDV</b> 480509-F ○	5.0	19.5	1.8	4.1	10.0	0.5	0.75 ~ 1.25	18-16	NH 11	N10 11	1,000 (100 x 10)
<b>TMEDN</b> 480809-F ○						0.8			NA 10		
<b>TMEDV</b> 480520-F ○	5.0	19.5	2.4	4.5	10.0	0.5	2.0	14	NH 12	N10 12	1,000 (100 x 10)
<b>TMEDN</b> 480820-F ○						0.8			NA 10		

250 SERIES



**TMEDV** : Vinyl  
**TMEDN** : Nylon

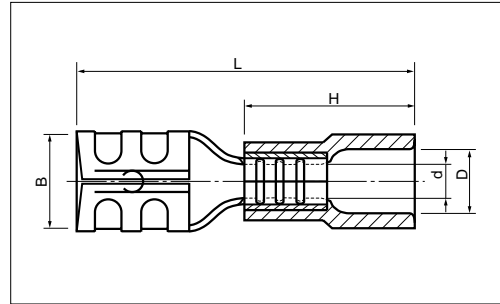
PART NUMBER	DIMENSIONS mm					MATING TAB THICKNESS mm	WIRE RANGE		TOOL No.		STD QTY/BOX
	B	L	d	D	H		STRANDED mm <sup>2</sup>	AWG	HAND TOOL No.		
									TOOL BODY No.	DIES No.	
<b>TMEDV</b> 630809-F ○	6.8	21.0	1.7	4.1	10.0	0.8	0.75 ~ 1.25	18-16	NH 11	N10 11	500 (100 x 5)
<b>TMEDN</b> 630809-F ○									NA 10		
<b>TMEDV</b> 630820-F ○	6.8	21.0	2.3	4.5	10.0	0.8	2.0	14	NH 12	N10 12	500 (100 x 5)
<b>TMEDN</b> 630820-F ○									NA 10		
<b>TMEDV</b> 630855-F ○	6.8	25.0	3.5	6.8	14.0	0.8	3.5 ~ 5.5	12-10	NH 13	N10 13	500 (100 x 5)
<b>TMEDN</b> 630855-F ○							5.5		NA 10		

- NOTE 1) ○ : UL/CSA  
 2) Refer to page 54 for UL/CSA, proper strip length of wire and Nylon insulated products.  
 3) TMD & TMDEN Type are also available, see page 32.

# QUICK-DISCONNECTS



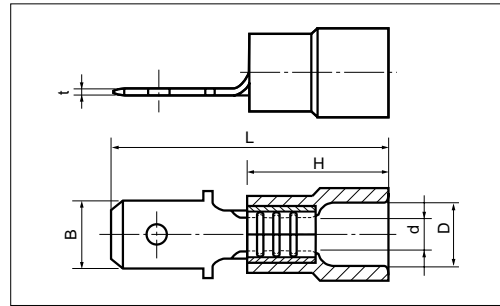
187 SERIES



**TMEDV** : Vniyl  
**TMEDN** : Nylon

PART NUMBER	DIMENSIONS mm					MATING TAB THICKNESS mm	WIRE RANGE		TOOL No.		STD QTY/BOX
	B	L	d	D	H		STRANDED mm <sup>2</sup>	AWG	HAND TOOL No.		
									TOOL BODY No.	DIES No.	
<b>TMEDV</b> <b>TMEDN</b> 480509-F03	5.1	19.5	1.8	4.1	10.0	0.5	0.75 ~ 1.25	18-16	NH 11 NH 32 NA 10 NA 3	N10 11 N3 11	1,000 (100 x 10)
<b>TMEDV</b> <b>TMEDN</b> 480520-F03	5.1	19.5	2.4	4.5	10.0	0.5	2.0	14	NH 12 NH 32 NA 10 NA 3	N10 12 N3 12	1,000 (100 x 10)

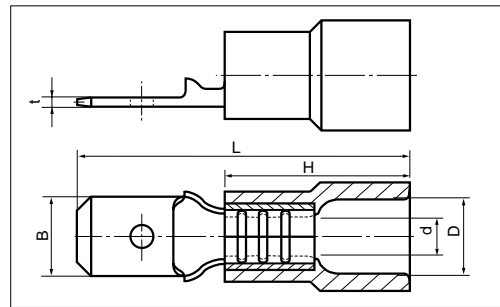
187 SERIES



**TMEDV** : Vinyl  
**TMEDN** : Nylon

PART NUMBER	DIMENSIONS mm						WIRE RANGE		TOOL No.		STD QTY/BOX
	B	L	t	d	D	H	STRANDED mm <sup>2</sup>	AWG	HAND TOOL No.		
									TOOL BODY No.	DIES No.	
<b>TMEDV</b> <b>TMEDN</b> 480520-M ○	4.8	19.5	0.5	2.3	4.5	10.0	2.0	14	NH 12 NH 32 NA 10 NA 3	N10 12 N3 12	1,000 (100 x 10)

250 SERIES



**TMEDV** : Vinyl  
**TMEDN** : Nylon

PART NUMBER	DIMENSIONS mm						WIRE RANGE		TOOL No.		STD QTY/BOX
	B	L	t	d	D	H	STRANDED mm <sup>2</sup>	AWG	HAND TOOL No.		
									TOOL BODY No.	DIES No.	
<b>TMEDV</b> <b>TMEDN</b> 630809-M ○	6.35	21.0	0.8	1.85	4.1	10.0	0.75 ~ 1.25	18-16	NH 11 NH 32 NA 10 NA 3	N10 11 N3 11	1,000 (100 x 10)
<b>TMEDV</b> <b>TMEDN</b> 630820-M ○	6.35	21.0	0.8	2.55	4.5	10.0	2.0	14	NH 12 NH 32 NA 10 NA 3	N10 12 N3 12	1,000 (100 x 10)
<b>TMEDV</b> <b>TMEDN</b> 630855-M ○	6.35	25.0	0.8	3.65	6.8	14.0	3.5 ~ 5.5	12-10	NH 13 NA 10 NA 3	N10 13 N3 13	500 (100 x 5)
							5.5	10			

- NOTE 1) ○ : UL/CSA  
2) Refer to page 54 for UL/CSA, proper strip length of wire and Nylon insulated products.  
3) TMD & TMDEN Type are also available, see page 32.

# QUICK-DISCONNECTS

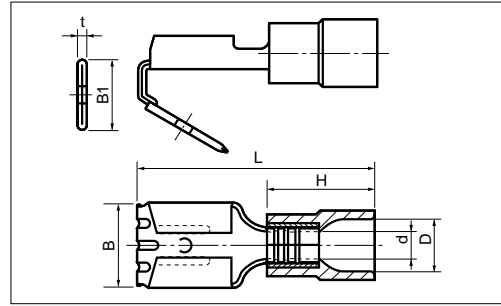
B



**TMEDV** : Vinyl  
**TMEDN** : Nylon



PIGGY BACK

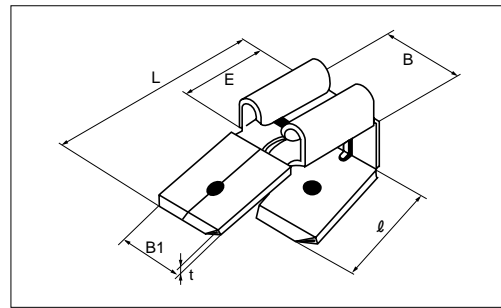


PART NUMBER	DIMENSIONS mm							WIRE RANGE		TOOL No.		STD QTY/BOX
	B	B1	L	d	D	H	t	STRANDED mm <sup>2</sup>	AWG	HAND TOOL No.		
										TOOL BODY No.	DIES No.	
<b>TMEDV</b> <b>TMEDN</b> <b>630809-V</b>	6.9	6.35	22.0	1.85	4.1	10.0	0.8	0.75 ~ 1.25	18-16	NH 11 NA 10 NA 3	N10 11 N3 11	1,000 (100 x 10)
<b>TMEDV</b> <b>TMEDN</b> <b>630820-V</b>	6.9	6.35	22.0	2.55	4.5	10.0	0.8	2.0	14	NH 12 NA 10 NA 3	N10 12 N3 12	1,000 (100 x 10)

- NOTE 1 ) Refer to page 54 for proper strip length of wire and Nylon insulated products  
2 ) TMD & TMDEN Type are also available , see page 32.



3 WAY ADAPTOR



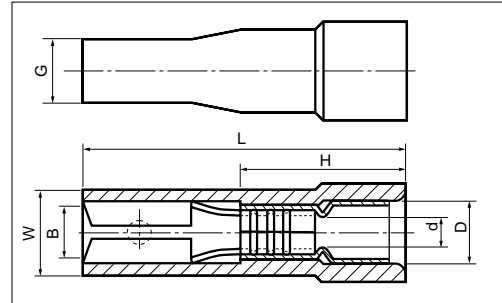
PART NUMBER	DIMENSIONS mm						TOOL No.		STD QTY/BOX
	B	B1	L	t	ℓ	E	TOOL BODY No.	DIES No.	
<b>63V</b>	6.9	6.35	18.85	0.8	9.0	7.5	—	—	1,000

# QUICK-DISCONNECTS



FULLY INSULATED  
FEMALE DISCONNECTS

110 SERIES

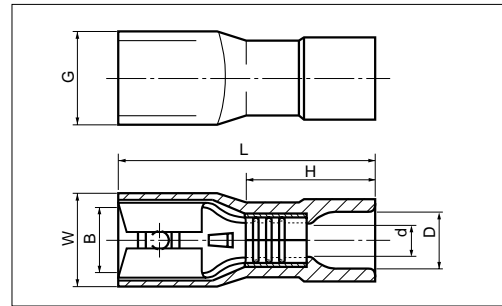


See page 2

TMDEN : Nylon

PART NUMBER	DIMENSIONS mm							MATING TAB THICKNESS mm	WIRE RANGE		TOOL No.		STD QTY/BOX
	B	W	L	d	D	G	H		STRANDED mm <sup>2</sup>	AWG	HAND TOOL No.	TOOL BODY No. / DIES No.	
TMDEN 280509-FA	3.2	5.5	19.5	1.9	3.4	4.8	10.0	0.5	0.75 ~ 1.25	18-16	NH 11 NH 32	1,000 (100 × 10)	
TMDEN 280809-FA								0.8			NA 10 NA 3		N10 11 N3 11

187 SERIES

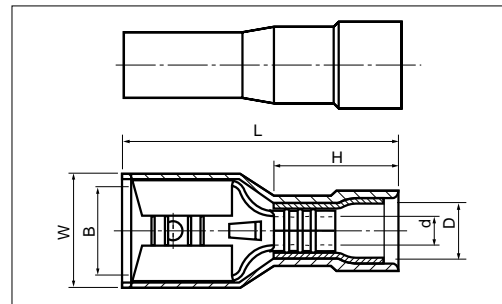


See page 2

TMEDN : Nylon

PART NUMBER	DIMENSIONS mm							MATING TAB THICKNESS mm	WIRE RANGE		TOOL No.		STD QTY/BOX
	B	W	L	d	D	G	H		STRANDED mm <sup>2</sup>	AWG	HAND TOOL No.	TOOL BODY No. / DIES No.	
TMEDN 480509-FA ○	5.0	7.0	19.5	1.8	4.1	4.9	9.8	0.5	0.75 ~ 1.25	18-16	NH 11 NH 32	1,000 (100 × 10)	
TMEDN 480809-FA ○								0.8			NA 10 NA 3		N10 11 N3 11
TMEDN 480520-FA ○	5.0	7.0	19.5	2.4	4.5	5.6	9.8	0.5	2.0	14	NH 12 NH 32	1,000 (100 × 10)	
TMEDN 480820-FA ○								0.8			NA 10 NA 3		N10 12 N3 12

250 SERIES



See page 2



Yellow Nylon  
See page 2

TMDN : Nylon

PART NUMBER	DIMENSIONS mm							MATING TAB THICKNESS mm	WIRE RANGE		TOOL No.		STD QTY/BOX
	B	W	L	d	D	G	H		STRANDED mm <sup>2</sup>	AWG	HAND TOOL No.	TOOL BODY No. / DIES No.	
TMDN 630809-FA	6.8	9.0	21.0	1.7	3.2	5.3	10.0	0.8	0.75 ~ 1.25	18-16	NH 11 NH 32	1,000 (100 × 10)	
TMDN 630820-FA	6.8	9.0	21.0	2.3	3.9	5.3	10.0	0.8	2.0	14	NH 12 NH 32	1,000 (100 × 10)	
TMDN 630855-FA	6.8	9.2	26.0	3.5	5.4	5.3	15.0	0.8	5.5	10	NH 13 NH 32	500 (100 × 5)	

NOTE 1) ○ : UL/CSA : UL

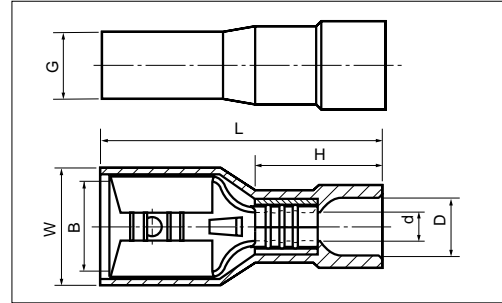
2) Refer to page 54 for UL/CSA, proper strip length of wire and Nylon insulated products.

# QUICK-DISCONNECTS



FULLY INSULATED  
FEMALE DISCONNECTS

250 SERIES



B



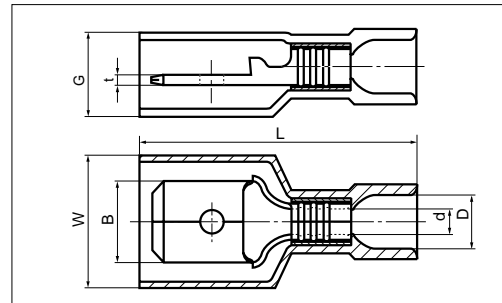
TMEDN : Nylon

PART NUMBER	DIMENSIONS mm							MATING TAB THICKNESS mm	WIRE RANGE		TOOL No.		STD QTY/BOX
	B	W	L	d	D	G	H		STRANDED mm <sup>2</sup>	AWG	HAND TOOL No. TOOL BODY No.   DIES No.		
TMEDN 630809-FA ○	6.8	8.9	21.5	1.7	4.1	5.0	9.8	0.8	0.75 ~ 1.25	18-16	NH 11 NH 32 NA 10   N10 11 NA 3   N3 11	1,000 (100 × 10)	
TMEDN 630820-FA ○	6.8	8.9	21.5	2.3	4.5	5.0	9.8	0.8	2.0	14	NH 12 NH 32 NA 10   N10 12 NA 3   N3 12	1,000 (100 × 10)	

MALE COUPLER : TMEDN 630809MA. TMEDN 630820MA

FULLY INSULATED  
MALE DISCONNECTS

250 SERIES



TMEDN : Nylon

PART NUMBER	DIMENSIONS mm								WIRE RANGE		TOOL No.		STD QTY/BOX
	B	W	t	L	d	D	G	H	STRANDED mm <sup>2</sup>	AWG	HAND TOOL No. TOOL BODY No.   DIES No.		
TMEDN 630809-MA ○	6.35	10.3	0.8	22.0	1.85	4.1	6.4	10.0	0.75 ~ 1.25	18-16	NH 11 NH 32 NA 10   N10 11 NA 3   N3 11	500 (100 × 5)	
TMEDN 630820-MA ○	6.35	10.3	0.8	22.0	2.55	4.5	6.4	10.0	2.0	14	NH 12 NH 32 NA 10   N10 12 NA 3   N3 12		

Only the Nylon insulated products is available.

It is not appropriate to mate with ICTDN 630809FA and ICTDN 630820FA

NOTE 1 ) ○ : UL/CSA

2 ) Refer to page 54 for UL/CSA, proper strip length of wire and Nylon insulated products.

## X-ON Electronics

Largest Supplier of Electrical and Electronic Components

*Click to view similar products for [Terminals](#) category:*

*Click to view products by [Nichifu](#) manufacturer:*

Other Similar products are found below :

[HT-13-10](#) [71M-250-32-NB](#) [01-2065-1-0216](#) [00581P0075](#) [M10-10RX](#) [M10BCK](#) [60205-1](#) [604200-1](#) [60598-1-CUT-TAPE](#) [60617-1-C](#) [60873-1](#) [M14-516R/SK](#) [M14-6RSX](#) [M18-10FLX](#) [M18-8FBX](#) [M18-8R/LX](#) [M18BCK](#) [61314-6-C](#) [61-S](#) [61-SN-A](#) [62-NBM-A](#) [63-S](#) [640179-1](#) [640917-2-CUT-TAPE](#) [6501550002](#) [66107-2-C](#) [66107-4-C](#) [696683-1](#) [696834-1](#) [696861-1](#) [696931-1](#) [696999-1](#) [M8-516RK](#) [M86700006](#) [MA250DMFMX-A](#) [701-2007](#) [701-2307](#) [701-7761-03](#) [70F-110-32-PB](#) [718-N-A](#) [71M-187-20-NBL](#) [71M-250-32-NBL](#) [72F-187-20-NBL](#) [72M-250-32-NBL](#) [7310](#) [73F-250-32](#) [73F-250-32-NBL](#) [73F-250-32-NL](#) [F14-10C](#) [F-1M](#)