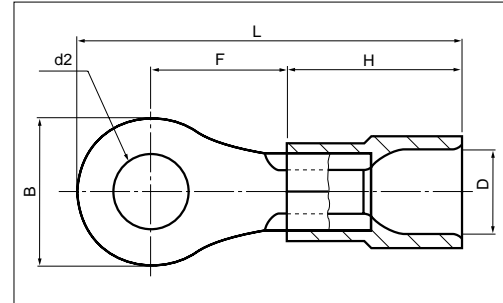


INSULATED RING TERMINALS (R TYPE)



JIS C 2805

TME(RING)



TMEV : Vinyl
TMEN : Nylon

PART NUMBER	DIMENSIONS mm						WIRE RANGE		TOOL No.		STD QTY/BOX			
	d2	B	L	F	H	D	STRANDED mm ²	AWG	HAND TOOL No.	TOOL BODY No.		DIES No.		
TMEV TMEN	0.3-2	HS ○	2.2	5.2	17.5	4.9	10.0	3.2	0.2-0.5 0.3-0.5 UL·CSA USE	24-20 22-20 UL·CSA USE	NH 5 NH 32 NH 60 NA 10 NA 3	N10 10 N3 5	1,000 V 100×10 N 1,000×1	
	0.3-3	HS ○	3.2		19.8	7.2								
	0.3-3N	HS ○	3.7	20.5	7.2									
	0.3-3.5	HS ○	4.3	21.0	7.0									
	0.3-4	HS ○	5.3	21.0	7.0									
	0.3-5	HS ○	5.3	21.0	7.0									
TMEV TMEN	1.25-2	HS ○	2.2	5.5	17.5	4.75	10.0	4.1	0.3 , 1.65	22-16	NH 11 NH 32	NA 10 NA 3	N10 11 N3 11	1,000 V 100×10 N 1,000×1
	1.25-2S	○	3.2	5.7	17.4	4.55								
	1.25-3	HS ●	3.2	5.5	17.5	4.75								
	1.25-3N	HS ○	3.7	5.6	20.4	7.6								
	1.25-3S	HS ○	3.7	5.7	17.4	4.55								
	1.25-3.5N	HS ○	3.7	5.6	20.4	7.6								
	1.25-3.5S	HS ○	3.7	5.7	17.4	4.55								
	1.25-3.5	HS ●	4.3	6.6	18.8	5.5								
	1.25-3.5M	HS ○	4.3	6.8	19.4	6.0								
	1.25-3.5L	HS ○	4.3	8.0	21.1	7.1								
	1.25-4M	HS ○	4.3	6.8	19.4	6.0								
	1.25-4	HS ●	5.3	8.0	21.1	7.1								
	1.25-5	HS ●	5.3	8.0	21.1	7.1								
	1.25-6	HS ○	6.4	12.0	25.7	9.7								
	1.25-8	HS ○	8.4	12.0	25.7	9.7								
	1.25-10	○	10.5	16.5	30.5	12.25								
TMEV TMEN	2-2	○	2.2	6.5	18.2	4.95	10.0	4.5	1.04 , 2.63	16-14	NH 12 NH 32	NA 10 NA 3	N10 12 N3 12	1,000 V 100×10 N 1,000×1
	2-3N	○	3.2	5.6	20.4	7.6								
	2-3S	HS ○	3.2	5.7	17.8	4.95								
	2-3	HS ○	3.7	6.5	18.2	4.95								
	2-3.5N	○	3.7	5.6	20.4	7.6								
	2-3.5NS	HS ○	3.7	6.5	18.2	4.95								
	2-3.5	HS ●	3.7	6.6	19.9	6.6								
	2-3.5S	○	3.7	6.6	20.9	7.6								
	2-3.5M	HS ○	4.3	8.0	21.5	7.5								
	2-4S	HS ○	4.3	6.6	19.9	6.6								
	2-4M	HS ○	4.3	8.0	21.5	7.5								
	2-4	HS ●	5.3	8.5	22.0	7.75								
	2-5M	HS ○	5.3	8.0	21.5	7.5								
	2-5	HS ●	5.3	9.5	22.5	7.75								
	2-6	HS ●	6.4	12.0	27.0	11.0								
	2-8	HS ●	8.4	12.0	27.0	11.0								
	2-10	○	10.5	15.0	30.0	12.5								
	2-12	○	13.0	19.0	34.0	14.5								

NOTE

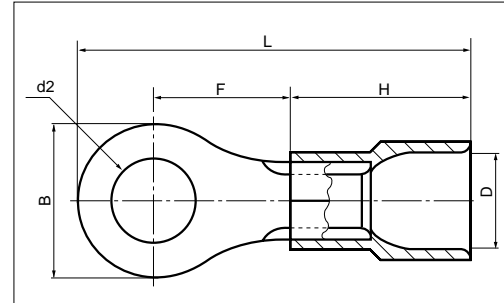
- 1) ● : JIS/UL/CSA ○ : UL/CSA [HS] : HS terminal
- 2) Refer to page 31 for UL/CSA, insulator material/color, proper strip length of wire and Nylon insulated products.
- 3) JIS part No. is shown in parenthesis.

INSULATED RING TERMINALS (R TYPE)



JIS C 2805

TME(RING)



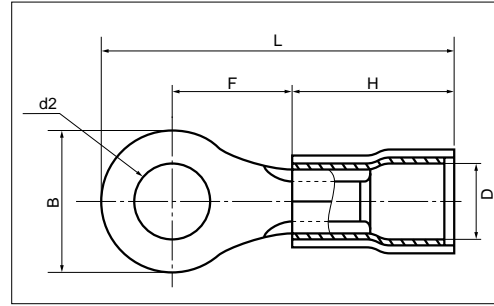
TMEV : Vinyl
TMEN : Nylon

PART NUMBER	DIMENSIONS mm						WIRE RANGE		TOOL No.		STD QTY/BOX
	d2	B	L	F	H	D	STRANDED mm ²	AWG	HAND TOOL No.	TOOL BODY No.	
TMEV TMEN	3.5-4 [HS] ○	4.3	8.0	26.0	8.0	14.0	2.63 4.6	12	NH 13		100 V · N 100 × 1
	3.5-5S [HS] ○	5.3	9.6	28.0	9.2						
	3.5-5L [HS] ○		12.0	29.4	9.4						
	3.5-6L [HS] ○	6.4		13.5	33.5				12.75	NA 10	
	3.5-8 [HS] ○	8.4	N3 13								
TMEV TMEN	5.5-3M ○	3.2	6.5	24.45	7.2	14.0	2.63 6.64	12-10	NH 13		100 V · N 100 × 1
	5.5-3N ○		7.0	24.7							
	5.5-3S [HS] ○		9.0	25.7							
	5.5-3.5N ○	3.7	7.0	24.7							
	5.5-3.5S [HS] ○		9.0	25.7							
	5.5-3.5 [HS] ○	9.5	27.0	8.25							
	5.5-4N ○	4.3	7.0	24.7	7.2						
	5.5-4S [HS] ○		9.0	25.7							
	5.5-4 (RB) 5.5-4 [HS] ●		9.5	27.0							
	5.5-5N ○	5.3	8.0	25.2	7.2						
	5.5-5S [HS] ○		9.0	25.7							
	5.5-5 (RB) 5.5-5 [HS] ●		9.5	27.0							
	5.5-6 (RB) 5.5-6 [HS] ●	6.4	12.0	30.5	10.5						
	5.5-8 (RB) 5.5-8 [HS] ●	8.4	15.0	35.5	14.0						
	5.5-10 (RB) 5.5-10 [HS] ●	10.5									
	5.5-12 [HS] ○	13.0	19.2	40.0	16.4						
5.5-14 [HS] ○	15.0	43.0		18.0	NA 3	N3 13	V 50 × 1 N 100 × 1				

NOTE

- 1) ● : JIS/UL/CSA ○ : UL/CSA [HS] : HS terminal
- 2) Refer to page 31 for UL/CSA, insulator material/color, proper strip length of wire and Nylon insulated products.
- 3) JIS part No. is shown in parenthesis.

INSULATED RING TERMINALS WITH EXTRA COPPER SLEEVE (R TYPE)



TMDV : Vinyl
TMDN : Nylon

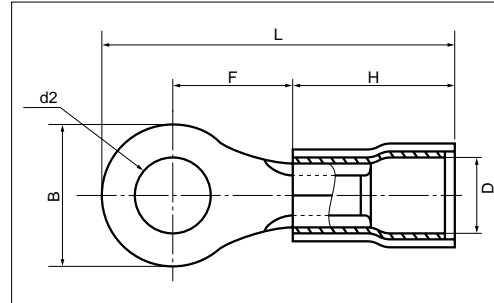
B

PART NUMBER	DIMENSIONS mm						WIRE RANGE		TOOL No.		STD QTY/BOX
	d2	B	L	F	H	D	STRANDED mm ²	AWG	HAND TOOL No. TOOL BODY No. DIES No.		
TMDN 0.3-2 [HS] 0.3-3 [HS] 0.3-3N [HS] 0.3-3.5 [HS] 0.3-4 [HS] 0.3-5 [HS]	2.2	5.2	17.5	4.9	10.0	2.9	0.2-0.5	24-20	NH 5 NH 32 NH 60	1,000 N 1,000 x 1	
	3.2		19.8								
	3.7		20.5								
	4.3	20.5									
	5.3	21.0									
	7.0	21.0									
TMDV 1.25-2 [HS] ○ 1.25-2S ○ 1.25-3 [HS] ○ 1.25-3N [HS] ○ 1.25-3S [HS] ○ 1.25-3.5N [HS] ○ 1.25-3.5S [HS] ○ 1.25-3.5 [HS] ○ 1.25-3.5M [HS] ○ 1.25-3.5L [HS] ○ 1.25-4M [HS] ○ 1.25-4 [HS] ○ 1.25-5 [HS] ○ 1.25-6 [HS] ○ 1.25-8 [HS] ○ 1.25-10 ○	2.2	5.5	17.5	4.75	10.0	3.6	0.3 ' 1.65	22-16	NH 11 NH 32	1,000 V 100 x 10	
	3.2	5.7	17.4	4.55							
	3.2	5.5	17.5	4.75							
	3.2	5.6	20.4	7.6							
	3.2	5.7	17.4	4.55							
	3.7	5.6	20.4	7.6							
	3.7	5.7	17.4	4.55							
	3.7	6.6	18.8	5.5							
	3.7	6.8	19.4	6.0							
	3.7	8.0	21.1	7.1							
	4.3	6.6	19.4	6.0							
	4.3	8.0	21.1	7.1							
	5.3	8.0	21.1	7.1							
	6.4	12.0	25.7	9.7							
	8.4	12.0	25.7	9.7							
10.5	16.5	30.5	12.25								
TMDV 2-2 ○ 2-3N ○ 2-3S [HS] ○ 2-3 [HS] ○ 2-3.5N ○ 2-3.5NS [HS] ○ 2-3.5 [HS] ○ 2-3.5S ○ 2-3.5M [HS] ○ 2-4S [HS] ○ 2-4 [HS] ○ 2-4M [HS] ○ 2-5M [HS] ○ 2-5 [HS] ○ 2-6 [HS] ○ 2-8 [HS] ○ 2-10 ○ 2-12 ○	2.2	6.5	18.2	4.95	10.0	4.3	1.04 ' 2.63	16-14	NH 12 NH 32	1,000 V 100 x 10	
	3.2	5.6	20.4	7.6							
	3.2	5.7	17.8	4.95							
	3.2	6.5	18.2	4.95							
	3.7	5.6	20.4	7.6							
	3.7	6.5	18.2	4.95							
	3.7	6.6	19.9	6.6							
	3.7	6.6	20.9	7.6							
	3.7	8.0	21.5	7.5							
	4.3	6.6	19.9	6.6							
	4.3	8.5	22.0	7.75							
	4.3	8.0	21.5	7.5							
	5.3	9.5	22.5	7.75							
	6.4	12.0	27.0	11.0							
	8.4	12.0	27.0	11.0							
	10.5	15.0	30.0	12.5							
	13.0	19.0	34.0	14.5							

NOTE

- : UL/CSA [HS] : HS terminal
- Refer to page 31 for UL/CSA, proper strip length of wire and Nylon insulated products.
- TMDEN Type is also available, see page 32.

INSULATED RING TERMINALS WITH EXTRA COPPER SLEEVE (R TYPE)



B

TMDV : Vinyl

PART NUMBER	DIMENSIONS mm						WIRE RANGE		TOOL No.		STD QTY/BOX
	d2	B	L	F	H	D	STRANDED mm ²	AWG	HAND TOOL No. TOOL BODY No. DIES No.		
5.5-3M ○	3.2	6.5	24.45	7.2	14.0	6.0	2.63 6.64	12-10	NH 13	100 V 100 x 1	
5.5-3N ○		7.0	24.7								
5.5-3S [HS] ○		9.0	25.7								
5.5-3.5N ○	3.7	7.0	24.7								
5.5-3.5S [HS] ○		9.0	25.7								
5.5-3.5 [HS] ○		9.5	27.0	8.25							
5.5-4N ○	4.3	7.0	24.7	7.2							
5.5-4S [HS] ○		9.0	25.7								
TMDV 5.5-4 [HS] ○		9.5	27.0								8.25
5.5-5N ○	5.3	8.0	25.2	7.2							
5.5-5S [HS] ○		9.0	25.7								
5.5-5 [HS] ○		9.5	27.0								8.25
5.5-6 [HS] ○	6.4	12.0	30.5	10.5							
5.5-8 [HS] ○	8.4	15.0	35.5	14.0							
5.5-10 [HS] ○	10.5										
5.5-12 [HS] ○	13.0		40.0	16.4							
5.5-14 [HS] ○	15.0	19.2	43.0	18.0							

NOTE

- : UL/CSA [HS] : HS terminal
- Refer to page 31 for UL/CSA, proper strip length of wire and Nylon insulated products.
- TMDEN Type is also available, see page 32.

X-ON Electronics

Largest Supplier of Electrical and Electronic Components

Click to view similar products for [Terminals](#) category:

Click to view products by [Nichifu](#) manufacturer:

Other Similar products are found below :

[HT-13-10](#) [71M-250-32-NB](#) [01-2065-1-0216](#) [00581P0075](#) [M10-10RX](#) [M10BCK](#) [60205-1](#) [604200-1](#) [60598-1-CUT-TAPE](#) [60617-1-C](#) [60873-1](#) [M14-516R/SK](#) [M14-6RSX](#) [M18-10FLX](#) [M18-8FBX](#) [M18-8R/LX](#) [M18BCK](#) [61314-6-C](#) [61-S](#) [61-SN-A](#) [62149-1](#) [62-NBM-A](#) [63-S](#) [640179-1](#) [640917-2-CUT-TAPE](#) [6501550002](#) [66107-2-C](#) [66107-4-C](#) [696683-1](#) [696834-1](#) [696861-1](#) [696931-1](#) [696999-1](#) [M8-516RK](#) [M86700006](#) [MA250DMFMX-A](#) [701-2007](#) [701-2307](#) [701-7761-03](#) [70F-110-32-PB](#) [718-N-A](#) [71M-187-20-NBL](#) [71M-250-32-NBL](#) [72F-187-20-NBL](#) [72M-250-32-NBL](#) [7310](#) [73F-250-32](#) [73F-250-32-NBL](#) [73F-250-32-NL](#) [F14-10C](#)