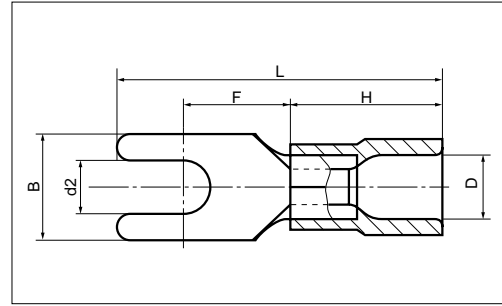


# INSULATED SPADE TERMINALS (Y TYPE)



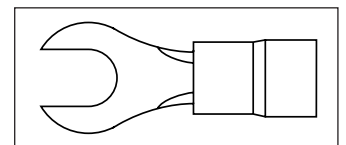
TME ( SPADE )



TMEV : Vinyl  
TMEN : Nylon

| PART NUMBER    | DIMENSIONS mm     |      |      |      |      |      | WIRE RANGE               |                                      | TOOL No.                         |   | STD QTY/BOX                              |
|----------------|-------------------|------|------|------|------|------|--------------------------|--------------------------------------|----------------------------------|---|--|
|                | d2                | B    | L    | F    | H    | D    | STRANDED mm <sup>2</sup> | AWG                                  | HAND TOOL No.                    | TOOL BODY No.   DIES No.                |  |
| TMEV<br>TMEN   | 0.3Y-2 [HS] ○     | 2.2  | 5.2  | 17.5 | 4.9  | 10.0 | 3.2                      | 0.2-0.5<br>0.3-0.5<br>UL: CSA<br>USE | 24-20<br>22-20<br>UL: CSA<br>USE | NH 5<br>NH 32<br>NH 60                  | 1,000<br>V<br>100 x 10<br>N<br>1,000 x 1 |
|                | 0.3Y-3 [HS] ○     | 3.2  |      |      |      |      |                          |                                      |                                  |   |  |
|                | 0.3Y-3.5N [HS] ○  | 3.7  | 20.5 | 5.8  |      |      |                          |                                      |                                  |   |  |
|                | 0.3Y-4N [HS] ○    | 4.3  |      |      | 6.4  |      |                          |                                      |                                  |   |  |
|                | 0.3Y-5 [HS] ○     | 5.3  | 8.0  | 21.0 | 7.0  |      |                          |                                      |                                  |   |  |
| TMEV<br>TMEN   | 1.25Y-2.5 [HS] ○  | 2.7  | 4.7  | 17.2 | 5.1  | 10.0 | 4.1                      | 0.3<br>1.65                          | 22-16                            | NH 11<br>NH 32                          | 1,000<br>V<br>100 x 10<br>N<br>1,000 x 1 |
|                | 1.25Y-3K [HS] ○   | 3.2  | 5.6  | 20.5 | 5.8  |      |                          |                                      |                                  |   |  |
|                | 1.25Y-3S [HS] ○   |      | 5.7  | 17.4 | 4.8  |      |                          |                                      |                                  |   |  |
|                | 1.25Y-3 [HS] ○    | 3.7  | 5.8  | 20.5 | 5.8  |      |                          |                                      |                                  |   |  |
|                | 1.25Y-3N [HS] ○   |      |      | 21.5 | 6.6  |      |                          |                                      |                                  |   |  |
|                | 1.25Y-3.5K [HS] ○ | 4.3  | 5.6  | 20.5 | 5.8  |      |                          |                                      |                                  |   |  |
|                | 1.25Y-3.5 [HS] ○  |      | 5.8  | 21.5 | 6.8  |      |                          |                                      |                                  |   |  |
|                | 1.25Y-3L [HS] ○   | 4.3  | 6.4  | 21.9 | 6.6  |      |                          |                                      |                                  |   |  |
|                | 1.25Y-4N [HS] ○   |      | 7.0  |      | 7.6  |      |                          |                                      |                                  |   |  |
|                | 1.25Y-4S [HS] ○   | 5.3  | 8.1  | 23.0 | 7.5  |      |                          |                                      |                                  |   |  |
|                | 1.25Y-4M [HS] ○   |      | 9.6  |      | 8.3  |      |                          |                                      |                                  |   |  |
|                | 1.25Y-4L [HS] ○   | 6.4  | 9.6  | 24.5 | 8.6  |      |                          |                                      |                                  |   |  |
| 1.25Y-5 [HS] ○ | 11.0              |      |      |      |      |      |                          |                                      |                                  |   |  |
| 1.25Y-6 [HS] ○ | 6.4               | 11.0 | 24.5 | 8.6  |      |      |                          |                                      |                                  |   |  |
| TMEV<br>TMEN   | 2Y-3 [HS] ○       | 3.2  | 5.9  | 21.3 | 6.6  | 10.0 | 4.5                      | 1.04<br>2.63                         | 16-14                            | NH 12<br>NH 32                          | 1,000<br>V<br>100 x 10<br>N<br>1,000 x 1 |
|                | 2Y-3.5S [HS] ○    | 3.7  | 5.8  |      |      |      |                          |                                      |                                  |   |  |
|                | 2Y-3.5 [HS] ○     |      | 4.3  | 6.4  | 7.6  |      |                          |                                      |                                  |   |  |
|                | 2Y-3.5L [HS] ○    | 4.3  |      | 7.0  | 21.5 |      |                          |                                      |                                  |   |  |
|                | 2Y-4N [HS] ○      |      | 8.0  |      |      |      |                          |                                      |                                  |   |  |
|                | 2Y-4S [HS] ○      | 5.3  | 10.0 | 22.6 | 8.7  |      |                          |                                      |                                  |   |  |
|                | 2Y-4 [HS] ○       |      | 10.0 | 22.6 | 8.7  |      |                          |                                      |                                  |   |  |
|                | 2Y-4M [HS] ○      | 6.4  | 8.0  | 21.5 | 7.1  |      |                          |                                      |                                  |   |  |
|                | 2Y-5 [HS] ○       |      | 10.0 | 22.6 | 8.7  |      |                          |                                      |                                  |   |  |
|                | 2Y-5M [HS] ○      | 8.4  | 12.0 | 23.5 | 8.5  |      |                          |                                      |                                  |   |  |
|                | 2Y-5L [HS] ○      |      | 12.0 | 25.5 | 8.6  |      |                          |                                      |                                  |   |  |
|                | 2Y-6 [HS] ○       | 8.4  | 14.0 | 27.5 | 11.5 |      |                          |                                      |                                  |   |  |
| 2Y-8 ○         | 8.4               | 14.0 | 27.5 | 11.5 |      |      |                          |                                      |                                  |   |  |
| TMEV<br>TMEN   | 3.5Y-4 [HS] ○     | 4.3  | 8.0  | 26.0 | 7.2  | 14.0 | 6.3                      | 2.63<br>4.6                          | 12                               | NH 13<br>NA 10   N10 13<br>NA 3   N3 13 | 100<br>V · N<br>100 x 1                  |
|                | 3.5Y-5 [HS] ○     | 5.3  | 9.5  | 28.0 | 8.3  |      |                          |                                      |                                  |   |  |
|                | 3.5Y-6 [HS] ○     | 6.4  | 12.0 | 30.0 | 9.8  |      |                          |                                      |                                  |   |  |
| TMEV<br>TMEN   | 5.5Y-4S [HS] ○    | 4.3  | 8.4  | 25.7 | 7.2  | 14.0 | 6.8                      | 2.63<br>6.64                         | 12-10                            | NH 13<br>NA 10   N10 13<br>NA 3   N3 13 | 100<br>V · N<br>100 x 1                  |
|                | 5.5Y-4 [HS] ○     |      | 9.0  |      |      |      |                          |                                      |                                  |   |  |
|                | 5.5Y-5 [HS] ○     | 5.2  | 9.0  |      |      |      |                          |                                      |                                  |   |  |
|                | 5.5Y-6 [HS] ○     | 6.4  | 12.5 | 32.7 | 12.0 |      |                          |                                      |                                  |   |  |

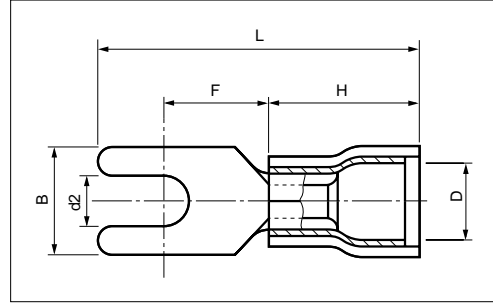
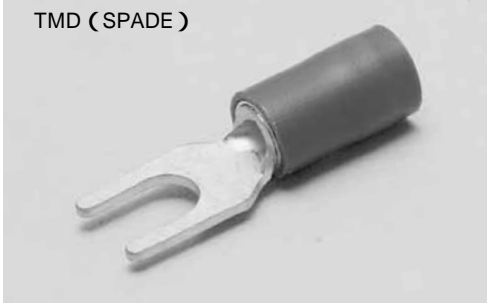
- : UL/CSA [HS] : HS terminal
- Refer to page 31 for UL/CSA, insulator material/color, proper strip length of wire and Nylon insulated products.
- Tongue shape of 1.25Y-3S is shown right.



# INSULATED SPADE TERMINALS WITH EXTRA COPPER SLEEVE (Y TYPE)



TMD (SPADE)



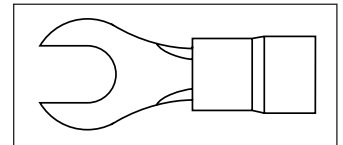
B

TMDV : Vinyl  
TMDN : Nylon

| PART NUMBER  | DIMENSIONS mm |      |      |      |      |     | WIRE RANGE               |       | TOOL No.                                  |                         | STD QTY/BOX |
|--|---------------|------|------|------|------|-----|--------------------------|-------|---|-------------------------|-------------|
|  | d2            | B    | L    | F    | H    | D   | STRANDED mm <sup>2</sup> | AWG   | HAND TOOL No.<br>TOOL BODY No.   DIES No. |                         |             |
| <b>TMDN</b><br>0.3Y-2 [HS]<br>0.3Y-3 [HS]<br>0.3Y-3.5N [HS]<br>0.3Y-4N [HS]<br>0.3Y-5 [HS]   | 2.2           | 5.2  | 17.5 | 4.9  | 10.0 | 2.9 | 0.2 ~ 0.5                | 24-20 | NH 5<br>NH 32<br>NH 60                    | 1,000<br>N<br>1,000 x 1 |             |
|  | 3.2           |      | 20.5 | 5.8  |      |     |                          |       |   |                         |             |
|  | 3.7           | 6.4  | 6.6  |      |      |     |                          |       |   |                         |             |
|  | 4.3           | 8.0  | 7.0  |      |      |     |                          |       |   |                         |             |
|  | 5.3           | 21.0 | 7.0  |      |      |     |                          |       |   |                         |             |
| <b>TMDV</b><br>1.25Y-2.5 [HS] ○<br>1.25Y-3K [HS] ○<br>1.25Y-3S [HS] ○<br>1.25Y-3 [HS] ○<br>1.25Y-3N [HS] ○<br>1.25Y-3.5K [HS] ○<br>1.25Y-3.5 [HS] ○<br>1.25Y-3L [HS] ○<br>1.25Y-4N [HS] ○<br>1.25Y-4S [HS] ○<br>1.25Y-4M [HS] ○<br>1.25Y-4L [HS] ○<br>1.25Y-5 [HS] ○<br>1.25Y-6 [HS] ○ | 2.7           | 4.7  | 17.2 | 5.1  | 10.0 | 3.6 | 0.3<br>,<br>1.65         | 22-16 | NH 11<br>NH 32                            | 1,000<br>V<br>100 x 10  |             |
|  | 3.2           | 5.6  | 20.5 | 5.8  |      |     |                          |       |   |                         |             |
|  |               | 5.7  | 17.9 | 4.8  |      |     |                          |       |   |                         |             |
|  | 3.7           | 5.8  | 20.5 | 5.8  |      |     |                          |       |   |                         |             |
|  |               |      |      | 6.6  |      |     |                          |       |   |                         |             |
|  | 4.3           | 5.6  | 21.5 | 6.8  |      |     |                          |       |   |                         |             |
|  |               | 5.8  |      | 6.6  |      |     |                          |       |   |                         |             |
|  | 4.3           | 6.4  | 21.9 | 7.6  |      |     |                          |       |   |                         |             |
|  |               | 7.0  |      | 7.5  |      |     |                          |       |   |                         |             |
|  | 5.3           | 7.0  | 23.0 | 8.3  |      |     |                          |       |   |                         |             |
|  |               | 8.1  |      | 8.3  |      |     |                          |       |   |                         |             |
|  | 5.3           | 9.6  | 23.0 | 8.3  |      |     |                          |       |   |                         |             |
|  | 6.4           | 11.0 | 24.5 | 8.6  |      |     |                          |       |   |                         |             |
| <b>TMDV</b><br>2Y-3 [HS] ○<br>2Y-3.5S [HS] ○<br>2Y-3.5 [HS] ○<br>2Y-3.5L [HS] ○<br>2Y-4N [HS] ○<br>2Y-4S [HS] ○<br>2Y-4 [HS] ○<br>2Y-4M [HS] ○<br>2Y-5 [HS] ○<br>2Y-5M [HS] ○<br>2Y-5L [HS] ○<br>2Y-6 [HS] ○<br>2Y-8 ○   | 3.2           | 5.9  | 21.3 | 6.6  | 10.0 | 4.3 | 1.04<br>,<br>2.63        | 16-14 | NH 12<br>NH 32                            | 1,000<br>V<br>100 x 10  |             |
|  | 3.7           | 5.8  |      | 6.6  |      |     |                          |       |   |                         |             |
|  |               | 6.4  |      | 7.6  |      |     |                          |       |   |                         |             |
|  | 4.3           | 7.0  | 21.5 | 6.6  |      |     |                          |       |   |                         |             |
|  |               |      |      | 7.0  |      |     |                          |       |   |                         | 7.1         |
|  | 5.3           | 8.0  | 22.6 | 8.7  |      |     |                          |       |   |                         |             |
|  |               | 10.0 |      | 8.7  |      |     |                          |       |   |                         |             |
|  | 5.3           | 8.0  | 23.5 | 8.5  |      |     |                          |       |   |                         |             |
|  |               | 10.0 |      | 8.7  |      |     |                          |       |   |                         |             |
|  | 6.4           | 12.0 | 25.5 | 8.6  |      |     |                          |       |   |                         |             |
|  |               | 12.0 |      | 8.6  |      |     |                          |       |   |                         |             |
|  | 8.4           | 14.0 | 27.5 | 11.5 |      |     |                          |       |   |                         |             |
| <b>TMDV</b><br>5.5Y-4S [HS] ○<br>5.5Y-4 [HS] ○<br>5.5Y-5 [HS] ○<br>5.5Y-6 [HS]   | 4.3           | 8.4  | 25.7 | 7.2  | 14.0 | 6.0 | 2.63<br>,<br>6.64        | 12-10 | NH 13                                     | 100<br>V<br>100 x 1     |             |
|  |               | 9.0  |      |      |      |     |                          |       |   |                         |             |
|  | 5.2           | 9.0  |      |      |      |     |                          |       |   |                         |             |
|  | 6.4           | 12.5 | 32.7 | 12.0 |      |     |                          |       |   |                         |             |

NOTE

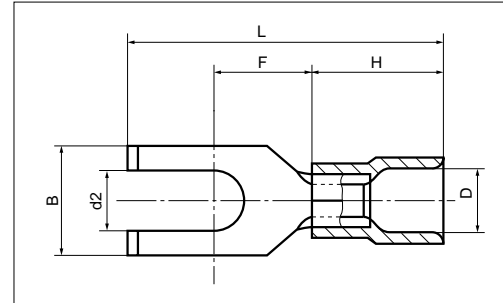
- : UL/CSA [HS] : HS terminal
- Refer to page 31 for UL/CSA, proper strip length of wire and Nylon insulated products.
- TMDEN Type is also available, see page 32.
- Tongue shape of 1.25Y-3S is shown right.



# INSULATED SPADE TERMINALS (Y TYPE)



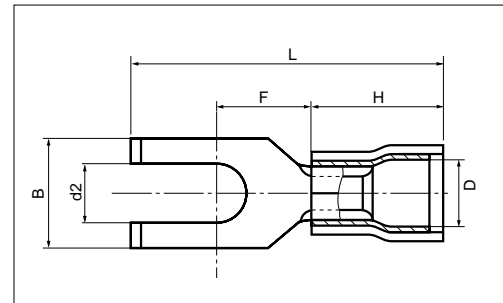
TME (FLANGE)



TMEV : Vinyl  
TMEN : Nylon

| PART NUMBER      | DIMENSIONS mm |     |      |     |      |     | WIRE RANGE               |       | TOOL No.      |          | STD QTY/BOX |
|------------------|---------------|-----|------|-----|------|-----|--------------------------|-------|---------------|----------|-------------|
|                  | d2            | B   | L    | F   | H    | D   | STRANDED mm <sup>2</sup> | AWG   | HAND TOOL No. |          |             |
|                  |               |     |      |     |      |     |                          |       | TOOL BODY No. | DIES No. |             |
| TMEV 1.25Y-3W  ○ | 3.7           | 7.7 | 19.5 | 5.6 | 10.0 | 4.1 | 0.3                      | 22-16 | NH 11         |          | 1,000       |
| TMEN 1.25Y-4W  ○ | 4.3           |     |      |     |      |     | NH 32                    |       | V             |          |             |
| 1.25Y-5W ○       | 5.3           |     |      |     |      |     | NA 10                    |       | N10 11        | 100 x 10 |             |
|                  |               |     |      |     |      |     |                          |       | NA 3          | N3 11    | N           |
|                  |               |     |      |     |      |     |                          |       |               |          | 1,000 x 1   |
| TMEV 2Y-3W ○     | 3.7           | 8.0 | 24.0 | 7.3 | 10.0 | 4.5 | 1.04                     | 16-14 | NH 12         |          | 1,000       |
| TMEN 2Y-4W ○     | 4.3           |     |      |     |      |     | NH 32                    |       | V             |          |             |
| 2Y-5W ○          | 5.3           |     |      |     |      |     | NA 10                    |       | N10 12        | 100 x 10 |             |
|                  |               |     |      |     |      |     |                          |       | NA 3          | N3 12    | N           |
|                  |               |     |      |     |      |     |                          |       |               |          | 1,000 x 1   |

TMD (FLANGE)



TMDV : Vinyl

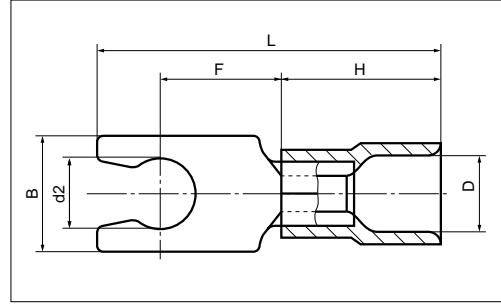
| PART NUMBER      | DIMENSIONS mm |     |      |     |      |     | WIRE RANGE               |       | TOOL No.      |          | STD QTY/BOX |
|------------------|---------------|-----|------|-----|------|-----|--------------------------|-------|---------------|----------|-------------|
|                  | d2            | B   | L    | F   | H    | D   | STRANDED mm <sup>2</sup> | AWG   | HAND TOOL No. |          |             |
|                  |               |     |      |     |      |     |                          |       | TOOL BODY No. | DIES No. |             |
| TMDV 1.25Y-3W  ○ | 3.7           | 7.7 | 19.5 | 5.6 | 10.0 | 3.6 | 0.3                      | 22-16 | NH 11         |          | 1,000       |
| 1.25Y-4W  ○      | 4.3           |     |      |     |      |     | NH 32                    |       | V             |          |             |
| 1.25Y-5W ○       | 5.3           |     |      |     |      |     | NA 10                    |       | N10 11        | 100 x 10 |             |
|                  |               |     |      |     |      |     |                          |       | NA 3          | N3 11    | N           |
|                  |               |     |      |     |      |     |                          |       |               |          | 1,000 x 1   |
| TMDV 2Y-3W ○     | 3.7           | 8.0 | 24.0 | 7.3 | 10.0 | 4.3 | 1.04                     | 16-14 | NH 12         |          | 1,000       |
| 2Y-4W ○          | 4.3           |     |      |     |      |     | NH 32                    |       | V             |          |             |
| 2Y-5W ○          | 5.4           |     |      |     |      |     | NA 10                    |       | N10 12        | 100 x 10 |             |
|                  |               |     |      |     |      |     |                          |       | NA 3          | N3 12    | N           |
|                  |               |     |      |     |      |     |                          |       |               |          | 1,000 x 1   |

NOTE

- : UL/CSA
- Refer to page 31 for UL/CSA, insulator material/color, proper strip length of wire and Nylon insulated products.
- TMDEN Type is also available, see page 32.

# INSULATED SPADE TERMINALS (Y TYPE)

TME (LOCKING SPADE)



TMEV : Vinyl  
TMEN : Nylon

| PART NUMBER         | DIMENSIONS mm |       |        |         |      |     | WIRE RANGE               |       | TOOL No.      |               | STD QTY/BOX |
|---------------------|---------------|-------|--------|---------|------|-----|--------------------------|-------|---------------|---------------|-------------|
|                     | d2            | B     | L      | F       | H    | D   | STRANDED mm <sup>2</sup> | AWG   | HAND TOOL No. | TOOL BODY No. |             |
| TMEV 1.25LY-3S  ○   | 3.2           | 6.4   | 19.5   | 6.6     | 10.0 | 4.1 | 0.3                      | 22-16 | NH 11         |               | 1,000       |
| TMEN 1.25LY-3.5S  ○ | 3.7           |       |        |         |      |     |                          |       | NH 32         |               | V           |
| TMEV 1.25LY-4S  ○   | 4.3           | NA 10 | N10 11 | 100 x 1 |      |     |                          |       |               |               |             |
| TMEN 1.25LY-5S  ○   | 5.3           | NA 3  | N3 11  | N       |      |     |                          |       |               |               |             |
|                     |               |       |        |         |      |     |                          |       |               |               | 1,000 x 1   |
| TMEV 2LY-3S ○       | 3.2           | 6.4   | 19.5   | 6.6     | 10.0 | 4.5 | 1.04                     | 16-14 | NH 12         |               | 1,000       |
| TMEN 2LY-3.5S  ○    | 3.7           |       |        |         |      |     |                          |       | NH 32         |               | V           |
| TMEV 2LY-4S  ○      | 4.3           | NA 10 | N10 12 | 100 x 1 |      |     |                          |       |               |               |             |
| TMEN 2LY-5S  ○      | 5.3           | NA 3  | N3 12  | N       |      |     |                          |       |               |               |             |
|                     |               |       |        |         |      |     |                          |       |               |               | 1,000 x 1   |
| TMEV 5.5LY-3.5S  ○  | 3.7           | 7.9   | 25.7   | 7.6     | 14.0 | 6.8 | 2.63                     | 12-10 | NH 13         |               | 1,000       |
| TMEN 5.5LY-4S  ○    | 4.3           |       |        |         |      |     |                          |       | NH 13         |               | V           |
| TMEV 5.5LY-5S  ○    | 5.3           |       |        |         |      |     |                          |       | NA 10         | N10 13        | 100 x 1     |
| TMEN 5.5LY-5S  ○    | 5.3           | NA 3  | N3 13  | N       |      |     |                          |       |               |               |             |
|                     |               |       |        |         |      |     |                          |       |               |               | 1,000 x 1   |

NOTE

- 1) Refer to page 31 for UL/CSA, insulator material/color, proper strip length of wire and Nylon insulated products.
- 2) TMD & TMDEN Type are also available, see page 32.

## X-ON Electronics

Largest Supplier of Electrical and Electronic Components

*Click to view similar products for [Terminals](#) category:*

*Click to view products by [Nichifu](#) manufacturer:*

Other Similar products are found below :

[HT-13-10](#) [71M-250-32-NB](#) [01-2065-1-0216](#) [00581P0075](#) [M10-10RX](#) [M10BCK](#) [60205-1](#) [604200-1](#) [60598-1-CUT-TAPE](#) [60617-1-C](#) [60873-1](#) [M14-516R/SK](#) [M14-6RSX](#) [M18-10FLX](#) [M18-8FBX](#) [M18-8R/LX](#) [M18BCK](#) [61314-6-C](#) [61-S](#) [61-SN-A](#) [62149-1](#) [62-NBM-A](#) [63-S](#) [640179-1](#) [640917-2-CUT-TAPE](#) [6501550002](#) [66107-2-C](#) [66107-4-C](#) [696683-1](#) [696834-1](#) [696861-1](#) [696931-1](#) [696999-1](#) [M8-516RK](#) [M86700006](#) [MA250DMFMX-A](#) [701-2007](#) [701-2307](#) [701-7761-03](#) [70F-110-32-PB](#) [718-N-A](#) [71M-187-20-NBL](#) [71M-250-32-NBL](#) [72F-187-20-NBL](#) [72M-250-32-NBL](#) [7310](#) [73F-250-32](#) [73F-250-32-NBL](#) [73F-250-32-NL](#) [F14-10C](#)