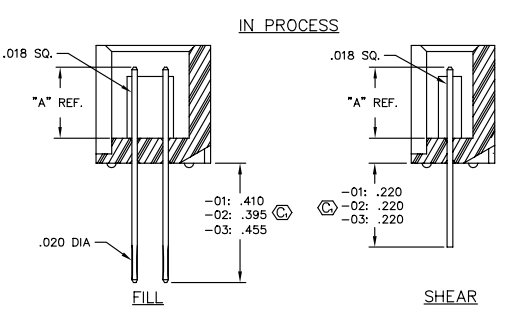
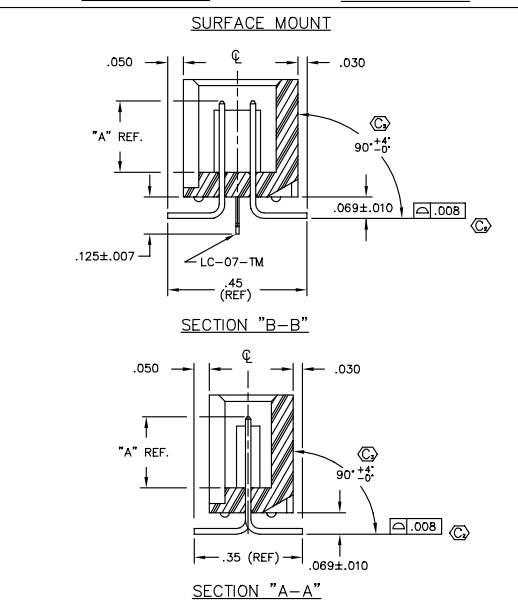
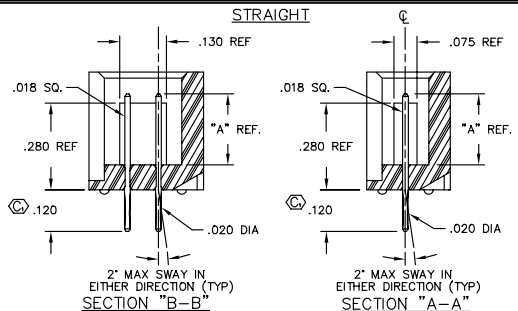
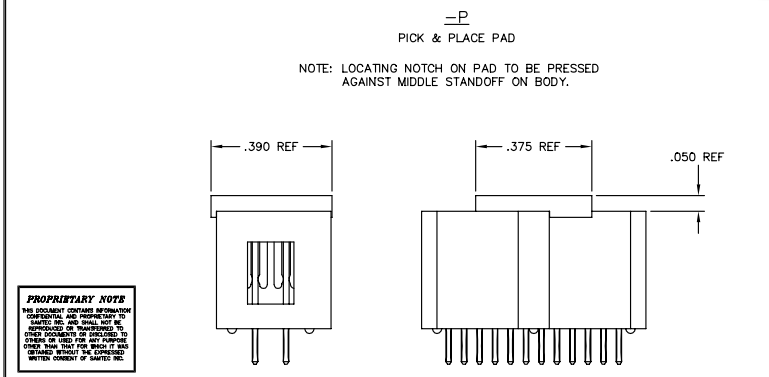
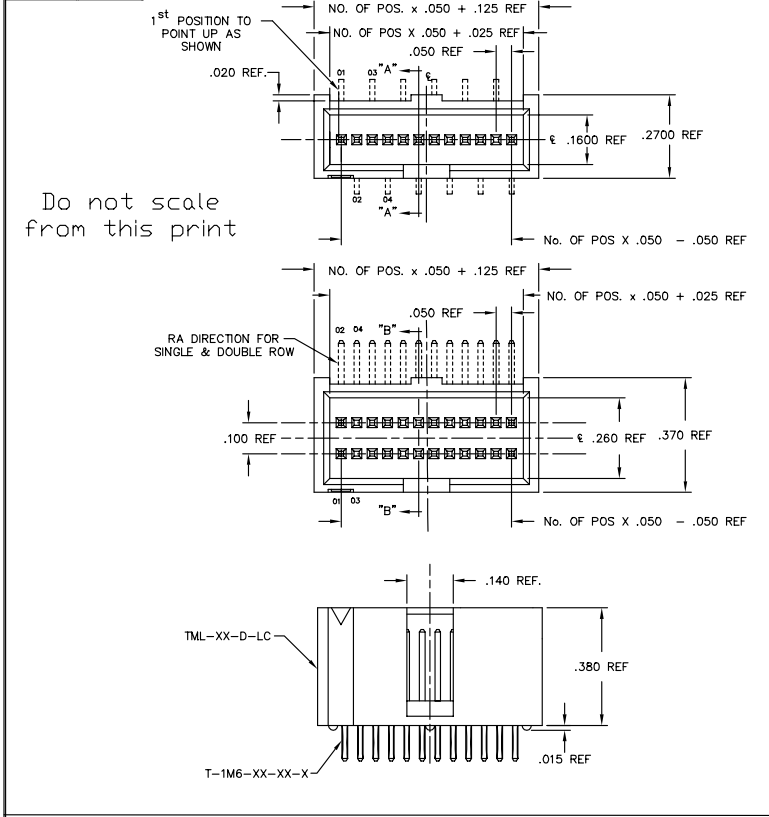


REV AD



UNLESS OTHERWISE NOTED TOLERANCES ARE:

ONE PLACE DECIMALS ±.1

TWO PLACE DECIMALS ±.01

THREE PLACE DECIMALS ±.005

FOUR PLACE DECIMALS ±.0020

ANGLES ±.2°

TITLE: TML ASSEMBLY

DWG NO: TML-1XX-XX-XX-X-XX-XXX

SHEET 1 OF 1

TML-1XX-XX-XX-X-XX-XXX

NO. OF POSITIONS: -05 THRU -50

LEAD STYLE: SEE TABLE 1

PLATING SPECIFICATION:

- G: GOLD (USE T-1M6-XX-G-2)
- T: TIN (USE T-1M6-XX-T-2)
- S: SELECTIVE (USE T-1M6-XX-S-2)
- F: FLASH SELECTIVE (USE T-1M6-XX-F-2)
- H: HEAVY GOLD (USE T-1M6-XX-H-2)
- SM: HEAVY GOLD SELECTIVE, MATTE TIN TAIL (USE T-1M6-XX-S-2)
- TM: MATTE TIN (USE T-1M6-XX-T-2)
- FM: FLASH GOLD SELECTIVE, MATTE TIN TAIL (USE T-1M6-XX-F-2)

OPTION #2: -XXX INDICATES POSITION OMITTED FOR POLARIZED ASSEMBLY

-LC: LOCKING CLIP (AVAILABLE FOR DOUBLE ROW SURFACE MOUNT ONLY) (USE LC-07-TM)

-P: PICK & PLACE PAD (USE PPP-22)

OPTION #1: BLANK: STRAIGHT; -RA: RIGHT ANGLE; -SM: SURFACE MOUNT

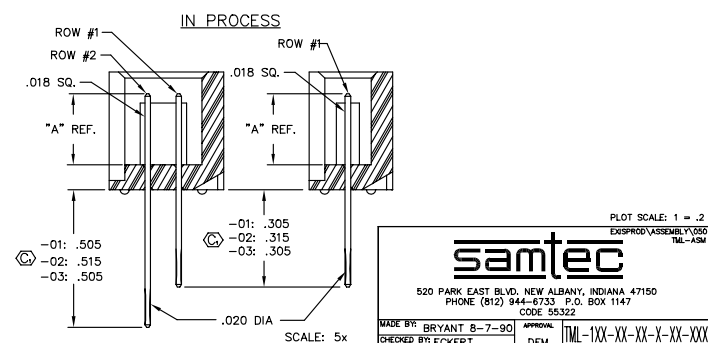
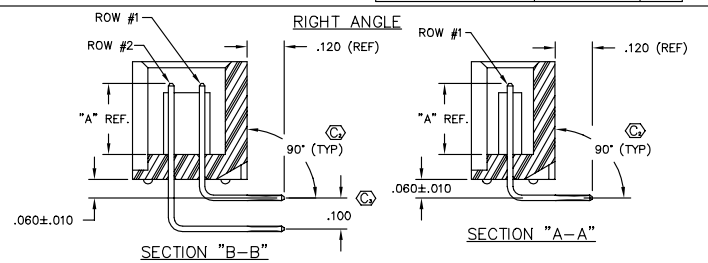
ROW SPECIFICATION: -D: DOUBLE (USE TML-XX-D); -S: SINGLE (USE TML-XX-S)

TABLE 1

LEAD STYLE	"A"	STRAIGHT	RIGHT ANGLE		SURFACE MOUNT (SINGLE & DOUBLE ROW)
			ROW #1 (SINGLE ROW)	ROW #2	
-01	.120	T-1M6-17-XX-2	T-1M6-04-XX-2	T-1M6-05-XX-2	T-1M6-03-XX-2
-02	.230	T-1M6-12-XX-2	T-1M6-13-XX-2	T-1M6-16-XX-2	T-1M6-05-XX-2
-03	.170	T-1M6-26-XX-2	T-1M6-14-XX-2	T-1M6-15-XX-2	T-1M6-05-XX-2

TABLE 2

OPTIONS	PACKAGING TUBE	PLUG
-D-SM	PT-1-24-01-08	TP-13
-D-SM-LC, -D-SM-LC-P	PT-1-24-02-08	TP-13
-D-RA	PT-TML001-RA	TP-07
-S-RA	PT-TML001-RA	TP-07



PROPRIETARY NOTE

THIS DOCUMENT CONTAINS INFORMATION OF SAMTEC INC. AND IS THE PROPERTY OF SAMTEC INC. NO PARTS MAY BE REPRODUCED OR TRANSMITTED IN ANY FORM OR BY ANY MEANS, ELECTRONIC OR MECHANICAL, WITHOUT PERMISSION IN WRITING FROM SAMTEC INC. FOR WHICH IT HAS BEEN OBTAINED UNDER THE PROTECTED WRITTEN CONSENT OF SAMTEC INC.

PLOT SCALE: 1 = .2

EGS/PROD/ASSEMBLY/000

THE-ASM

samtec

520 PARK EAST BLVD. NEW ALBANY, INDIANA 47150

PHONE (812) 944-6733 F.O. BOX 1147

CODE 55322

MADE BY: BRYANT B-7-90

APPROVAL: [Signature]

CHECKED BY: ECKERT

DEM: TML-1XX-XX-XX-X-XX-XXX

X-ON Electronics

Largest Supplier of Electrical and Electronic Components

Click to view similar products for [Board to Board & Mezzanine Connectors](#) category:

Click to view products by [Samtec](#) manufacturer:

Other Similar products are found below :

[10135583-642402LF](#) [89885-310LF](#) [589158040000018](#) [6-1393048-0](#) [68683-613](#) [MDF7-12DP-2.54DSA](#) [MDF7-18P-2.54DSA\(01\)](#) [MDF7-20DP-2.54DSA](#) [MDF7-26D-2.54DSA\(55\)](#) [MDF7-3P-2.54DSA\(01\)](#) [MDF7B-3P-2.54DSA\(55\)](#) [MDF7C-11P-2.54DSA\(55\)](#) [MDF7C-18P-2.54DSA\(55\)](#) [MDF7C-5P-2.54DSA\(01\)](#) [MDF7P-5P-2.54DSA\(55\)](#) [75234-0516](#) [FCN-230C068-11](#) [FCN-268F012-G/BD](#) [FCN-268F036-G/BD](#) [FCN-268M012-G/0D](#) [FCN-268M024-G/1D](#) [FCN-360C008-C](#) [FCN-360C040-C](#) [FCN-723J004/1](#) [MIS-048-01-F-D-DP-K](#) [832-10-034-10-001000](#) [93696-325LF](#) [11828-1FA](#) [AXK630345P](#) [18097-0013](#) [ICA-328STT](#) [2007042-2](#) [304400-2](#) [FCN-214Q030-G/0](#) [FCN-215Q040-G/0](#) [FCN-230C068-ESA](#) [FCN-234P048-G/0](#) [FCN-235D050-G/C](#) [FCN-360A3](#) [FCN-360C040-B](#) [210-93-314-41-105000](#) [2-22603-0](#) [379-064-521-202](#) [MDF7-12P-2.54DSA\(01\)](#) [MDF7-16P-2.54DS\(56\)](#) [MDF7-40DP-2.54DSA\(55\)](#) [MDF7-8P-2.54DSA\(55\)](#) [MDF7B-16P-2.54DSA\(55\)](#) [AXG720047](#) [5031084030](#)